



VOLVO

SERVICE BULLETIN

ONLY FOR VOLVO DEALERS

RE:	HOT START VALVE	PRODUCT	P
	B 20 B, B 30 A	GROUP	23
DATE	29.9.69	NO.	4

Replacing valve control and spacer washer on Zenith-Stromberg carburettor

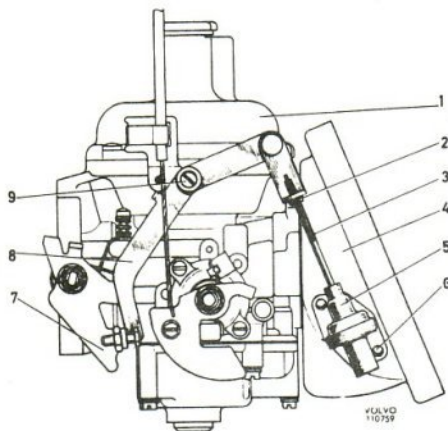
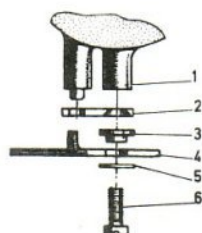


Fig. 1. Hot start valve

1. Carburettor
2. Locknut
3. Control rod
4. Air cleaner lower section
5. Hot start valve
6. Rivet
7. Throttle lever
8. Valve control
9. Valve control screw



VOLVO
110767

Fig. 2. Valve control suspension in carburettor

1. Carburettor body
2. Bracket for cold start control
3. Spacer washer
4. Valve control
5. Washer
6. Screw

To improve the function, the valve control (8, Fig. 1) should be replaced with a modified type.

The brass spacer washer (3, Fig. 2) should also be replaced at the same time with a steel one.

The new valve control is recognized by the fact that it is marked in red and is a bit longer than the previous one.

Vehicles with twin Zenith-Stromberg carburettors, fitted with hot start valve, and with chassis No. lower than those given below, should be attended to at the first servicing opportunity.