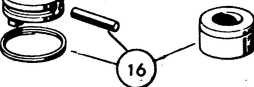
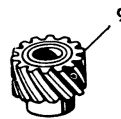
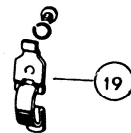
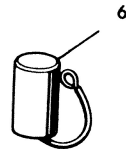
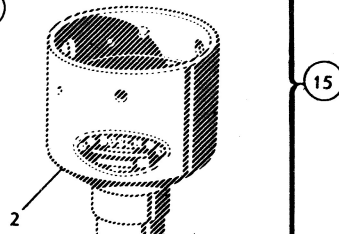
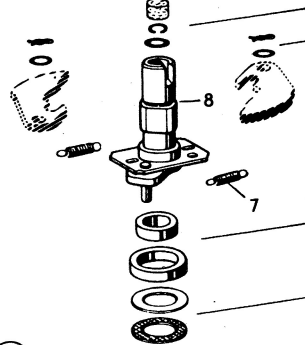
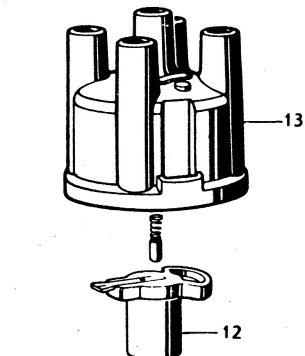
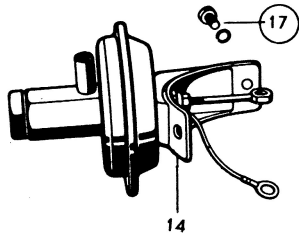
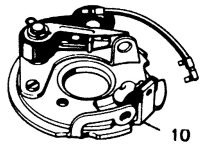
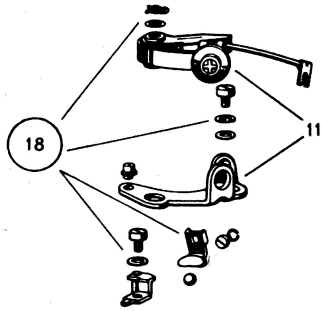


1



VOLVO  
KA 6683

|              |                |                        |                        |               |      |
|--------------|----------------|------------------------|------------------------|---------------|------|
| Sida<br>Page | Grupp<br>Group | Tändfördelare          | Distributer            | Illustration. | 0250 |
| 14           | 3              | 241529, 241530, 243186 | 241529, 241530, 243186 | 6683          |      |
|              |                |                        |                        | 1979-11       |      |

| Pos.<br>Fig. | Antal/Quantity |            |            | Artikel nr<br>Part No | Benämning              | Description                 | Sats<br>Kit | B<br>P<br>S<br>R | Anmärkning<br>Notes  |      |
|--------------|----------------|------------|------------|-----------------------|------------------------|-----------------------------|-------------|------------------|----------------------|------|
|              | 241<br>529     | 241<br>530 | 243<br>186 |                       |                        |                             |             |                  |                      |      |
| 1            | 1              | -          | -          | 241529-7              | Tändfördelare .....    | Distributor .....           | 8           |                  | B20A ERS AV 1 ST     | 1010 |
|              | -              | 1          | -          | 241530-5              | Tändfördelare .....    | Distributor .....           |             |                  | 462657-8             | 1011 |
|              | -              | -          | 1          | 243186-4              | Tändfördelare .....    | Distributor .....           | 8           |                  | 142 B20B CH-178959   | 1020 |
|              |                |            |            |                       |                        |                             |             |                  | 144 B20B CH-194139   | 1021 |
|              |                |            |            |                       |                        |                             |             |                  | 145 B20BCH-61599     | 1022 |
|              |                |            |            |                       |                        |                             |             |                  | 142 B20B CH 178960-  | 1030 |
|              |                |            |            |                       |                        |                             |             |                  | 144 B20B CH 194140-  | 1031 |
|              |                |            |            |                       |                        |                             |             |                  | 145 B20B CH 61600-   | 1032 |
|              |                |            |            |                       |                        |                             |             |                  | ERS AV 1 ST 462658-6 | 1033 |
| 2            | -              | -          | -          |                       | •Hus .....             | •Housing .....              | 8           |                  |                      | 1040 |
| 3            | 1              | 1          | 1          | 233262-5              | •Bussning, övre .....  | •Bushing, upper .....       |             |                  |                      |      |
| 4            | 1              | 1          | 1          | 238850-2              | •Bussning, nedre ..... | •Bushing, lower .....       |             |                  |                      | 100  |
| 5            | 1              | 1          | 1          | 241396-1              | •Smörjfilt .....       | •Lubricator felt .....      |             |                  |                      | 1070 |
| 6            | 1              | 1          | 1          | 241650-1              | •Kondensator .....     | •Capicator .....            |             |                  |                      | 1080 |
| 7            | 1              | -          | -          | 240580-1              | •Fjäder .....          | •Spring .....               |             |                  |                      | 1090 |
|              | -              | 1          | 1          | 241660-0              | •Fjäder .....          | •Spring .....               |             |                  |                      | 1100 |
|              | 1              | -          | -          | 240581-9              | •Fjäder .....          | •Spring .....               |             |                  |                      | 10   |
|              | -              | 1          | -          | 241661-8              | •Fjäder .....          | •Spring .....               | 8           |                  |                      | 20   |
| 8            | 1              | -          | -          | 240582-7              | •Brytarkam .....       | •Breaker .....              | 8           |                  |                      | 1130 |
|              | -              | 1          | -          | 241662-6              | •Brytarkam .....       | •Breaker .....              |             |                  |                      | 1140 |
|              | -              | -          | 1          | 243312-6              | •Brytarkam .....       | •Breaker .....              |             |                  |                      | 1150 |
| 9            | 1              | 1          | -          | 233836-6              | •Koppling .....        | •Coupling .....             |             |                  |                      | 1160 |
|              | -              | -          | 1          | 243016-3              | •Koppling .....        | •Coupling .....             |             |                  |                      | 1170 |
| 10           | 1              | -          | -          | 241651-9              | •Brytarplatta .....    | •Breaker plate .....        |             |                  |                      | 1180 |
|              | -              | 1          | 1          | 241663-4              | •Brytarplatta .....    | •Breaker plate .....        |             |                  |                      | 1190 |
| 11           | 1              | -          | -          | 241652-7              | •Kontaktsats .....     | •Breaker point set .....    |             |                  |                      | 1200 |
|              | -              | 1          | 1          | 241664-2              | •Kontaktsats .....     | •Breaker point set .....    |             |                  |                      | 1210 |
| 12           | 1              | 1          | 1          | 240305-3              | •Fördelararm .....     | •Distributor rotor .....    |             |                  |                      | 1220 |
| 13           | 1              | 1          | 1          | 243632-7              | •Fördelarlock .....    | •Distributor cap .....      |             |                  | (241653)             | 1230 |
| 14           | 1              | -          | -          | 241654-3              | •Vakuumregulator ..... | •Vacuum governor .....      |             |                  |                      | 1240 |
|              | -              | 1          | 1          | 241665-9              | •Vakuumregulator ..... | •Vacuum governor .....      |             |                  |                      | 1250 |
| 15           | 1              | 1          | 1          | 241655-0              | •Rep. sats för .....   | •Small-parts kit for .....  |             |                  |                      | 1260 |
|              |                |            |            |                       | fördelaraxel .....     | distributor axle .....      |             |                  |                      | 1270 |
| 16           | 1              | 1          | 1          | 241656-8              | •Rep. sats för .....   | •Small-parts kit for .....  |             |                  |                      | 1280 |
|              |                |            |            |                       | medbringare .....      | companion flange .....      |             |                  |                      | 1290 |
| 17           | 1              | 1          | 1          | 241657-6              | •Rep. sats för .....   | •Small-parts kit for .....  |             |                  |                      | 1300 |
|              |                |            |            |                       | vakuumregulator .....  | vacuum governor .....       |             |                  |                      | 1310 |
| 18           | 1              | 1          | 1          | 241658-4              | •Rep. sats för .....   | •Small-parts kit for .....  |             |                  |                      | 20   |
|              |                |            |            |                       | brytarplatta .....     | contact breaker plate ..... |             |                  |                      | 30   |
| 19           | 1              | 1          | 1          | 241659-2              | •Hållfjädersats .....  | •Retainer spring set .....  |             |                  |                      | 1340 |