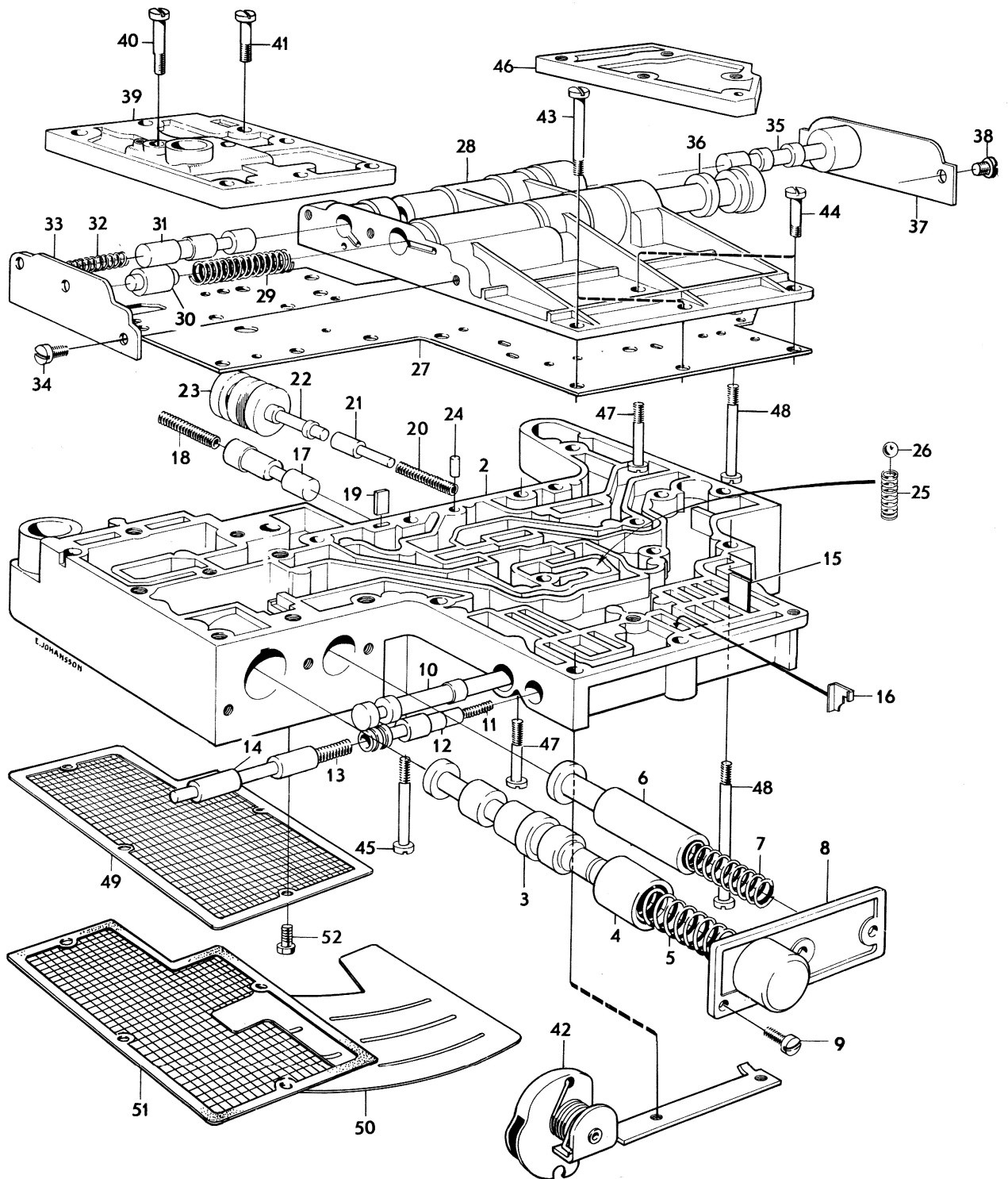


1



VOLVO PARTS  
1 040 12738



Sida <b>56</b>	Grupp <b>4</b>	Växellåda, BW35 Kontrollsystem	Gearbox, BW35 Valve bodies	Illustration 12738 1975-01	0850
-------------------	-------------------	-----------------------------------	-------------------------------	-------------------------------	------

Pos. Fig.	Antal/Quantity			Detalj nr Part No	Benämning	Description	Sats Kit	Anmärkning Notes	
	235 970	235 983	1220 539						
1	1	-	-	235970-1	Kontrollsystem .....	Valve bodies .....	4		1010
	-	1	-	235983-4	Kontrollsystem .....	Valve bodies .....	4		1020
	-	-	1	1220539-9	Kontrollsystem .....	Valve bodies .....	4		1030
2	1	1	1		•Ventilhus .....	•Valve body .....	8		1040
3	1	1	1		•Primär-tryck- reglerventil .....	•Primary regulator valve .....	8		1050
4	1	1	1		•Hylsa .....	•Sleeve .....	8		1060
5	1	-	1	235664-0	•Fjäder .....	•Spring .....	S		1070
	-	1	-	235855-4	•Fjäder .....	•Spring .....	S		1080
6	1	1	1		•Sekundär-tryck- reglerventil .....	•Secondary regulator valve .....	8		1090
7	1	1	-	235666-5	•Fjäder .....	•Spring .....	S		1100
	-	-	1	1220541-5	•Fjäder .....	•Spring .....	S		1110
8	1	1	1		•Lock .....	•Plate .....	8		1120
9	3	3	3	950022-4	•Skruv .....	•Screw .....	0		1140
10	1	1	1		•Väljarslid .....	•Manual control valve .....	8		1150
11	1	1	1	235672-3	•Fjäder .....	•Spring .....	S		1160
12	1	1	1		•Throttleventil .....	•Throttle valve .....	8		1170
13	1	1	1	235670-7	•Fjäder .....	•Spring .....	S		1180
14	1	1	1		•Kick-down ventil .....	•Downshift valve .....	8		1190
15	1	1	1	235671-5	•Stopplänk .....	•Stop .....	8		1200
16	1	1	1	235794-5	•Stopplänk .....	•Stop .....	8		1210
17	1	1	1		•Strypventil .....	•Servo orifice control valve .....	8		1220
									1230
									1240
18	1	1	1	235674-9	•Fjäder .....	•Spring .....	S		1250
19	1	1	1	235675-6	•Stopplänk .....	•Stop .....	8		1260
20	1	1	1	235678-0	•Fjäder .....	•Spring .....	S		1270
21	1	1	1		•Distanstapp .....	•Spacer pin .....	8		1280
22	1	1	1		•Modulatorventil .....	•Modulator valve .....	8		1290
23	1	1	1		•Propp .....	•Plug .....	8		1300
24	1	1	1		•Låstapp .....	•Dowel pin .....	8		1310
25	1	1	1	235904-0	•Fjäder .....	•Spring .....	S		1320
26	1	1	1	61177-2	•Kula .....	•Ball .....	3		1330
27	1	1	1		•Mellanplåt .....	•Plate .....	8		1340
28	1	1	1		•Ventilhus .....	•Valve body .....	8		1350
29	1	1	1	235689-7	•Fjäder .....	•Spring .....	S		1360
30	1	1	1		•Kolv .....	•Piston .....	8		1370
31	1	1	1		•Kolv .....	•Piston .....	8		1380
32	1	1	1	235692-1	•Fjäder .....	•Spring .....	S		1390
33	1	1	1		•Lock .....	•Plate .....	8		1400
34	3	3	3	950022-4	•Skruv .....	•Screw .....	0		1410
35	1	1	1		•Ventil .....	•Valve .....	8		1420
36	1	1	1		•Ventil .....	•Valve .....	8		1430
37	1	1	1		•Lock .....	•Plate .....	8		1440
38	1	1	1	950020-8	•Skruv .....	•Screw .....	0		1450
39	1	1	1		•Lock .....	•Plate .....	8		1460
40	2	2	2	950024-0	•Skruv .....	•Screw .....	0		1470
41	2	2	2	950022-4	•Skruv .....	•Screw .....	0		1480
42	1	1	1	235698-8	•Kam .....	•Cam .....	0		1490
43	2	2	2	941427-7	•Skruv .....	•Screw .....	0		1500
44	2	2	2	950022-4	•Skruv .....	•Screw .....	0		1510
45	1	1	1	950026-5	•Skruv .....	•Screw .....	0		1520
46	1	1	1		•Lock .....	•Plate .....	8		1530
47	7	7	7	950024-0	•Skruv .....	•Screw .....	0		1540
48	2	2	2	950029-9	•Skruv .....	•Screw .....	0		1550
49	1	1	-	235699-6	•Sil .....	•Strainer .....	4		2010
50	-	-	1	1220542-3	•Sil .....	•Strainer .....	4		2020
51	-	-	1	1220578-7	•Packning .....	Gasket .....			2025
52	4	4	4	950020-8	•Skruv .....	Screw .....			2030
	1	-	-	273222-0	Fjädersats .....	Spring kit .....			2060
	-	1	-	273271-7	Fjädersats .....	Spring kit .....			2070
	-	-	1	273282-4	Fjädersats .....	Spring kit .....			2080