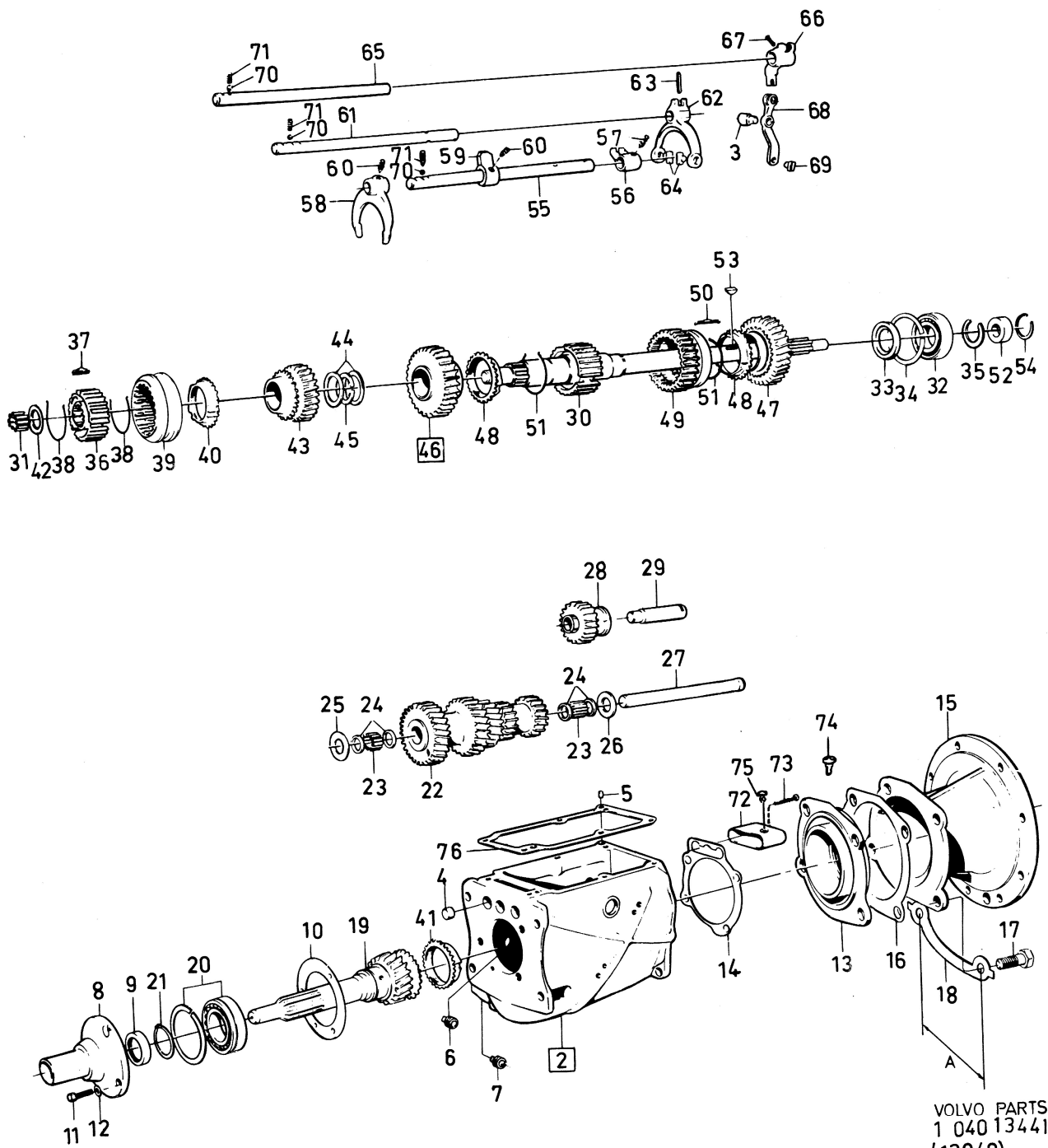


1



VOLVO PARTS
1 040 13441
(13840)



Sida Page	20	Grupp Group	4	Växellåda M41	Gearbox M41	Illustration 13441	0350
						1975-01	

Pos. Fig.	Antal/Quantity				Detalj nr Part No	Benämning	Description	Sats Kit	Anmärkning Notes	
	254 742	254 777								
42	1	1	-	-		•Låsring,alt.	•Circlip alt.			2030
	-	-	-	-	191497-7	••Tj 2,0	••Th 2.0			2040
	-	-	-	-	191498-5	••Tj 2,1	••Th 2.1			2050
	-	-	-	-	191499-3	••Tj 2,2	••Th 2.2			2060
43	1	1	-	-	380619-7	•Kuggghjul,3-an	•Gear 3-rd			2070
44	2	2	-	-	380143-8	•Distansring	•Spacer ring			2080
45	1	1	-	-		•Låsring,alt	•Circlip alt.			2090
	-	-	-	-	191493-6	••Tj 2,55	••Th 2.55			2100
	-	-	-	-	191494-4	••Tj 2,65	••Th 2.65			2110
	-	-	-	-	191495-1	••Tj 2,75	••Th 2.75			2120
46	1	1	-	-	380174-3	•Kuggghjul,2-an	•Gear 2-nd			2130
47	1	1	-	-	380895-3	•Kuggghjul,1-an	•Gear 1-st			2140
48	2	2	-	-	656138-5	•Synkroniseringskona	•Synchronizing cone			2150
49	1	1	-	-	380142-0	•Kopplingshylsa	•Engaging sleeve			2160
50	3	3	-	-	380141-2	•Medbringare	•Locating key			2170
51	2	2	-	-	86713-5	•Fjädering	•Clamping ring			2180
52	1	1	-	-	380652-8	•Kam	•Cam			2190
53	1	1	-	-	191882-0	•Kil	•Key			2200
54	1	1	-	-	380653-6	•Låsring	•Circlip			2210
55	1	1	-	-	380240-2	•Skiftaxel,3-an,4-an	•Shift rail,3-rd,4-th			2220
56	1	1	-	-	380133-9	•Medbringare	•Dog			2230
57	1	1	-	-	656553-5	•Låsskruv	•Lock screw			2240
58	1	1	-	-	656537-8	•Skiftgaffel	•Shift fork			2250
59	1	1	-	-	380648-6	•Medbringare	•Dog			2260
60	2	2	-	-	656553-5	•Låsskruv	•Lock screw			2270
61	1	1	-	-	380131-3	•Skiftaxel,1-an,2-an	•Shift rail,1-st,2-nd			2280
62	1	1	-	-	380132-1	•Skiftgaffel	•Shift fork			2290
63	1	1	-	-	951965-3	•Spännstift	•Tensioner pin			2300
64	2	2	-	-	656549-3	•Medbringartapp	•Dog pin			2310
65	1	1	-	-	380231-1	•Skiftaxel,backväxel	•Shift rail,reverse			2320
66	1	1	-	-	380134-7	•Skiftgaffel	•Shift fork			2330
67	1	1	-	-	656553-5	•Låsskruv	•Lock screw			2340
68	1	1	-	-	380622-1	•Hävarm	•Lever			2350
69	1	1	-	-	656549-3	•Medbringartapp	•Dog pin			2360
70	3	3	-	-	67089-3	•Kula	•Ball			2370
71	3	3	-	-	381182-5	•Fjäder	•Spring			2380
72	1	1	-	-	380135-4	•Skyddskåpa	•Casing			2390
73	2	2	-	-	950256-8	•Skruv	•Screw			2400
74	1	1	-	-	380211-3	•Luftningsnippel	•Air venting nipple		TID.UTF.	2410
75	-	1	-	-	381625-3	•Plastpropp	•Plastic plug		SEN.UTF.	2420
76	1	1	-	-	381107-2	•Packning, kork	•Gasket, cork			2430
	1	1	-	-	381682-4	Packning, gummi	Gasket, rubber		33)	2440
	-	-	-	-		Packningssats	Gasket kit		SE SIDA 12, 2-E15	2450