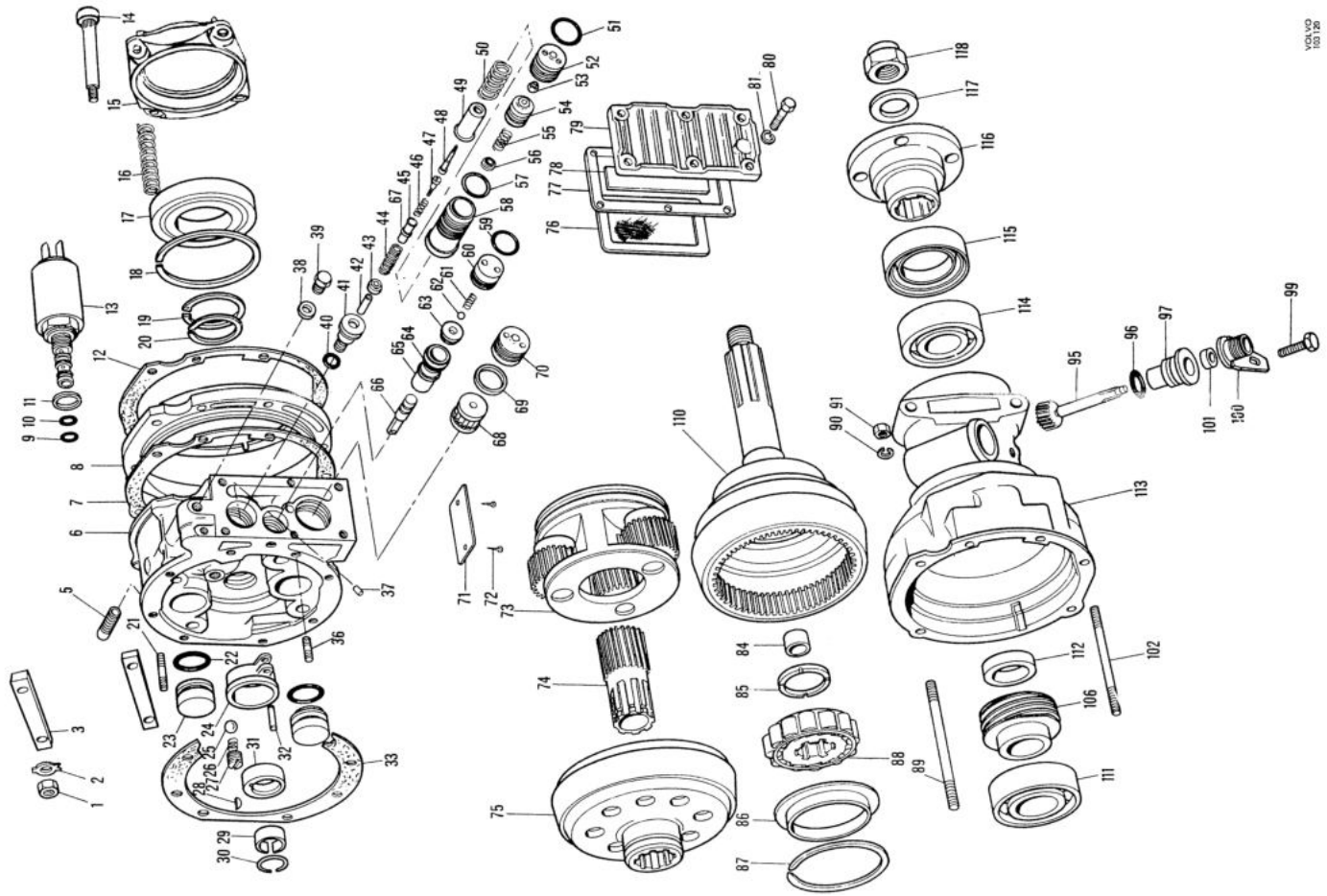




# **SERVICE MANUAL**

**VOLVO 164 1971**

---



- |                             |                               |
|-----------------------------|-------------------------------|
| 1. Nut                      | 56. Washer                    |
| 2. Lock washer              | 57. O-ring                    |
| 3. Bridge piece             | 58. Cylinder                  |
| 4. Breather                 | 59. O-ring                    |
| 5. Front casing             | 60. Plug                      |
| 6. Gasket                   | 61. Spring                    |
| 7. Gasket                   | 62. Ball                      |
| 8. Brake ring               | 63. Non-return body           |
| 9. O-ring                   | 64. O-ring                    |
| 10. O-ring                  | 65. Pump body                 |
| 11. Seal                    | 66. Pump plunger              |
| 12. Gasket                  | 67. Washer (2)                |
| 13. Solenoid                | 68. Fine filter               |
| 14. Bolt                    | 69. Seal                      |
| 15. Thrust bearing retainer | 70. Plug                      |
| 16. Spring                  | 71. Drive plate               |
| 17. Ball bearing            | 72. Screw                     |
| 18. Circlip                 | 73. Sun gear                  |
| 19. Circlip                 | 74. Planet gear and carrier   |
| 20. Circlip                 | 75. Clutch sliding member     |
| 21. Slud seal               | 76. Pre-filter                |
| 22. Piston                  | 77. Gasket                    |
| 23. Connecting rod          | 78. Magnet                    |
| 24. Non-return ball         | 79. Base plate                |
| 25. Non-return valve spring | 80. Bolt                      |
| 26. Plug                    | 81. Resilient washer          |
| 27. Key                     | 84. Bush                      |
| 29. Resilient ring          | 85. Thrust washer             |
| 30. Circlip                 | 86. Oil thrower               |
| 31. Eccentric               | 87. Circlip                   |
| 32. Piston pin              | 88. Uni-directional clutch    |
| 33. Gasket                  | 89. Stud                      |
| 36. Stud                    | 90. Resilient washer          |
| 37. Orifice nozzle          | 91. Nut                       |
| 38. Seal                    | 95. Speedometer pinion        |
| 39. Plug                    | 96. O-ring                    |
| 40. O-ring                  | 97. Bush                      |
| 41. End piece               | 99. Bolt                      |
| 42. Piston                  | 100. Retainer                 |
| 43. Washer                  | 101. Oil seal                 |
| 44. Spring                  | 102. Stud                     |
| 45. Retainer                | 106. Speedometer driving gear |
| 46. Spring                  | 110. Output shaft             |
| 47. Screw                   | 111. Ball bearing             |
| 48. Screw                   | 112. Spacer                   |
| 49. Holder                  | 113. Rear casing              |
| 50. Spring                  | 114. Ball bearing             |
| 51. O-ring                  | 115. Oil seal                 |
| 52. Plug                    | 116. Flange                   |
| 53. Nut                     | 117. Washer                   |
| 54. Piston                  | 118. Nut                      |
| 55. Spring                  |                               |

Illustration 4-C. Overdrive