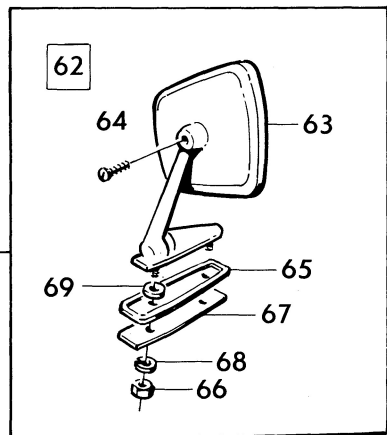
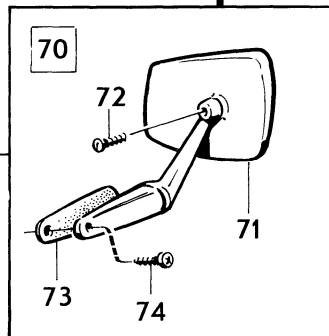
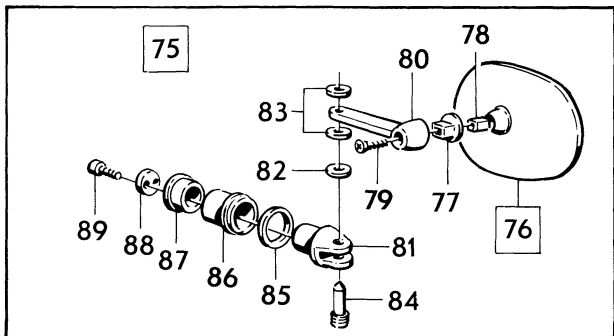


VOLVO PARTS
1 080 15163



Sida	Grupp	Utvändiga prydnadsdetaljer			Exterior trim	Illustration 15163	0950			
88	8	utvändig backspegel			external rear view mirror					
Page	Group	CH 74450-			CH 74450-	1975-12				
Pos. Fig.	Antal/Quantity				Detalj nr Part No	Benämning	Description	Sats Kit	Anmärkning Notes	
1	-	-	-	-		Kylargaller	Radioator grille		SE SIDA 4, 3-A09	1010
2	-	-	-	-		Sarg	Frame		SE SIDA 4, 3-A09	1020
3	-	-	-	-		Emblem	Emblem		SE SIDA 4, 3-A09	1030
4	1	-	-	-	679060-4	Prydnadslist	Trim moulding	1		1040
5	5	-	-	-	106985-5	Skruv	Screw	0		1050
6	2	-	-	-	679016-6	Prydnadslist	Trim moulding	1		1060
x 7	14	-	-	-	1247708-9	Fäste	Anchorage		(679885)	1070
8	2	-	-	-	677535-7	Prydnadslist	Trim moulding		CH - 102949	1080
	2	-	-	-	1203027-6	Prydnadslist	Trim moulding		CH 102950-	1081
x 9	16	-	-	-	1247708-9	Fäste	Anchorage		(679885)	1090
10	2	-	-	-	677537-3	Prydnadslist	Trim moulding	1		1100
x 11	10	-	-	-	1247708-9	Fäste	Anchorage		(679885)	1100
12	2	-	-	-	677538-1	Prydnadslist	Trim moulding	1		1100
x 13	10	-	-	-	1247708-9	Fäste	Anchorage		(679885)	1130
14	1	-	-	-	680540-2	Prydnadslist, V	Trim moulding, L		CH - 102949	1140
	1	-	-	-	680541-0	Prydnadslist, H	Trim moulding, R		CH - 102949	1150
	ERF	-	-	-	682477-5	Tejp	Tape		5) CH - 102949	1160
	1	-	-	-		List	Moulding		CH 102950-	1165
									SE SIDA 42, 3-B23	1170
									POS 69.	1167
15	1	-	-	-	680542-8	Prydnadslist, V	Trim moulding, L		CH - 102949	1170
	1	-	-	-	680543-6	Prydnadslist, H	Trim moulding, R		CH - 102949	1180
	ERF	-	-	-	682477-5	Tejp	Tape		5) CH - 102949	1190
	1	-	-	-		List	Moulding		CH 102950-	1195
									SE SIDA 54, 3-C11	1196
									POS 77.	1197
16	1	-	-	-	680544-4	Prydnadslist, V	Trim moulding, L		CH - 102949	1200
	1	-	-	-	680545-1	Prydnadslist, H	Trim moulding, R		CH - 102949	1210
	ERF	-	-	-	682477-5	Tejp	Tape		5) CH - 102949	1220
17	1	-	-	-	680262-3	Prydnadslist, V	Trim moulding, L	1		1230
	1	-	-	-	680263-1	Prydnadslist, H	Trim moulding, R	1		1240
x 18	16	-	-	-	1247708-9	Fäste	Anchorage		(679885)	1250
19	1	-	-	-	679343-4	Prydnadslist, V	Trim moulding, L	1		1260
	1	-	-	-	679344-2	Prydnadslist, H	Trim moulding, R	1		1270
x 20	16	-	-	-	1247708-9	Fäste	Anchorage		(679885)	1280
21	1	-	-	-	680264-9	Prydnadslist, V	Anchorage, L	1		1290
	1	-	-	-	680265-6	Prydnadslist, H	Anchorage, R	1		1300
22	6	-	-	-	680462-9	Fäste	Anchorage	1		1310
23	2	-	-	-	679346-7	Prydnadslist	Trim moulding	1		1320
24	16	-	-	-	680462-9	Fäste	Anchorage	1		1330
25	1	-	-	-	685636-3	Prydnadslist	Trim moulding	1		1340
26	1	-	-	-	685638-9	Prydnadslist, V	Trim moulding, L	1		1350
27	1	-	-	-	685639-7	Prydnadslist, H	Trim moulding, R	1		1360
28	1	-	-	-	685640-5	Prydnadslist	Trim moulding		CH - 139885	1370
x 29	1	-	-	-	1202465-9	Prydnadslist	Trim moulding		CH 139886-	1375
30	1	-	-	-	685741-1	Prydnadslist, V	Trim moulding, L	1		1380
31	1	-	-	-	685742-9	Prydnadslist, H	Trim moulding, R	1		1390
32	19	-	-	-	685637-1	Skarvstycke	Junction	1		1400
x 33	1	-	-	-	1247708-9	Fäste	Anchorage		(679885)	1410
34	1	-	-	-	682021-1	Prydnadslist, övre	Trim moulding, upper	2		1420
35	1	-	-	-	682022-9	Prydnadslist, undre	Trim moulding, lower	2		1430
36	1	-	-	-	682023-7	Prydnadslist, V	Trim moulding, L	2		1440
37	2	-	-	-	682023-7	Prydnadslist, H	Trim moulding, R		(682024)	1450
38	2	-	-	-	682025-2	Skarvstycke, övre	Junction, upper	2		1460
39	2	-	-	-	687955-5	Skarvstycke, undre	Junction, lower	2		1470
40	23	-	-	-	682321-5	Fäste	Anchorage	2		1480
41	1	-	-	-	675867-6	Prydnadslist, V	Trim moulding, L	3		1490
42	1	-	-	-	675868-4	Prydnadslist, H	Trim moulding, R	3		1500
43	2	-	-	-	675869-2	Skarvstycke	Junction	2		1510
	1	-	-	-	688472-0	Prydnadslist, främre, V	Trim moulding, forward, L	2		1520
	1	-	-	-	688473-8	Prydnadslist, främre, H	Trim moulding, forward, R	2		1530

5. Levereras i rullar om 11 m. Supplied in rolls of 5.5 metres. Livré en rouleaux de 5,5 mètres. Lieferung in Rollen zu je 5,5 Metern. Se suministra en rollos de 5,5 metros.

Sida	Grupp	Utvändiga prydnadsdetaljer			Exterior trim	Illustration 15163	0950			
90	8	utvändig backspegel			external rear view mirror					
Page	Group	CH 74450-			CH 74450-	1975-12				
Pos. Fig.	Antal/Quantity				Detalj nr Part No	Benämning	Description	Sats Kit	Anmärkning Notes	
44	1	-	-	-	688474-6	Prydnadslist, bakre, V	Trim moulding, rear, L			1540
	1	-	-	-	688475-3	Prydnadslist, bakre, H	Trim moulding, rear, R	2		1550
45	2	-	-	-	680612-9	Skarvstycke	Junction	2		1560
46	1	-	-	-	676344-5	Prydnadslist, V	Trim moulding, L		CH - 102949	2010
	1	-	-	-	1213349-2	Prydnadslist, V, övre	Trim moulding, L, upper		CH 102950-142089	2020
x	1	-	-	-	1202981-5	Prydnadslist, V, övre	Trim moulding, L, upper		CH 142090-	2025
	1	-	-	-	676345-2	Prydnadslist, H	Trim moulding, R		CH - 102949	2030
	1	-	-	-	1213350-0	Prydnadslist, H, övre	Trim moulding, R, upper		CH 102950-142089	2040
x	1	-	-	-	1202982-3	Prydnadslist, H, övre	Trim moulding, R, upper		CH 142090-	2045
47	1	-	-	-	1213351-8	Prydnadslist, V, nedre	Trim moulding, L, lower		CH 102950-	2050
	1	-	-	-	1213352-6	Prydnadslist, H, nedre	Trim moulding, R, lower		CH 102950-	2060
48	1	-	-	-	1213311-2	Prydnadslist, V	Trim moulding, L		CH 102950-	2070
	1	-	-	-	1213312-0	Prydnadslist, H	Trim moulding, R		CH 102950-	2080
49	1	-	-	-	1213313-8	Prydnadslist, V	Trim moulding, L		CH 102950-	2090
	1	-	-	-	1213314-6	Prydnadslist, H	Trim moulding, R		CH 102950-	2100
50	1	-	-	-	1213321-1	Prydnadslist, V	Trim moulding, L		CH 102950-	2110
	1	-	-	-	1213322-9	Prydnadslist, H	Trim moulding, R		CH 102950-	2120
51	1	-	-	-	1213323-7	Prydnadslist, V	Trim moulding, L		CH 102950-	2130
	1	-	-	-	1213324-5	Prydnadslist, H	Trim moulding, R		CH 102950-	2140
52	1	-	-	-	1213325-2	Prydnadslist, V	Trim moulding, L		CH 102950-	2150
	1	-	-	-	1213326-0	Prydnadslist, H	Trim moulding, R		CH 102950-	2160
53	1	-	-	-	1213663-6	Prydnadsplåt, V	Trim plate, L		26) CH 102950-	2170
	1	-	-	-	1213665-1	Prydnadsplåt, V	Trim plate, L		27) CH 102950-	2180
	1	-	-	-	1213664-4	Prydnadsplåt, H	Trim plate, R		26) CH 102950-	2190
	1	-	-	-	1213666-9	Prydnadsplåt, H	Trim plate, R		27) CH 102950-	2200
54	1	-	-	-	1213332-8	Bricka	Washer		CH 102950- . ALT.	2210
55	1	-	-	-	956312-3	Skruv	Screw		CH 102950- . ALT.	2220
56	1	-	-	-	1203108-4	Takskarvlist, V	Roof joint moulding, L			2230
	1	-	-	-	1203109-2	Takskarvlist, H	Roof joint moulding, R			2240
57	2	-	-	-	946305-0	Skruv	Screw			2250
58	2	-	-	-	1211747-9	Emblem	Emblem		B30A	2260
	2	-	-	-	1211748-7	Emblem	Emblem		B30E, B30F	2270
	2	-	-	-	1203709-9	Emblem 164	Emblem 164		TOP EXECUTIVE.	2275
59	1	-	-	-	1211736-2	Emblem VOLVO 164 E	VOLVO 164e emblem		B30E, F CH - 132566	2280
	1	-	-	-	1211725-5	Emblem VOLVO	VOLVO emblem		B30A	2290
x	59a	1	-	-	1201921-2	Emblem VOLVO	VOLVO emblem		CH 132567-	2295
	60	1	-	-	1213696-6	Emblem FUEL INJECTION ..	FUEL INJECTION emblem ..		B30E, F CH - 132566	2300
	1	-	-	-	1213777-4	Emblem 164	164 emblem		B30A	2310
x	60a	1	-	-	1202822-1	Emblem 164e	164e emblem		CH 132567-	2310
	61	-	-	-		Navkapsel	Hub cap		SE GRUPP 6	2320
		-	-	-		Backspegel	Rear view mirror	8	CH - 102949	3010
62	2	-	-	-	281497-8	•Backspegel, blåtonat	•Rear view mirror,		TID UTF	3020
						plant glas	blue-tinted flat glass		ERS AV 1213604-0	3030
63	2	-	-	-	681610-2	••Backspegelhuvud,	••Mirror head,		TID UTF	3040
						blåtonat plant glas	blue-tinted flat glass		ERS AV 1213604-0	3050
64	2	-	-	-	941637-1	••Skruv	••Screw			3060
65	2	-	-	-	679979-5	••Packning	••Gasket			3070
66	4	-	-	-	955781-0	••Mutter	••Nut			3080
67	4	-	-	-	683499-8	••Bricka	••Washer			3090
68	4	-	-	-	955948-5	••Låsbricka	••Lock washer			3100
69	2	-	-	-	955893-3	••Bricka	••Washer			3110
70	2	-	-	-	276614-5	•Backspegel, blåtonat	•Rear view mirror		SEN UTF	3120
						plant glas	blue-tinted flat glass		(1213604)	3130
	2	-	-	-	276612-9	•Backspegel, blåtonat	•Rear view mirror,		EXCL EEC	3140
						konvext glas	blue-tinted convex glass		(1213606)	3150

26. Avsedd för montering av backspegel. For installation of driving mirror. Destiné au montage des rétroviseurs. Für Einbau von Rückblickspiegeln vorgesehen. Destinado para el montaje de espejos retrovisores.
27. Ej avsedd för montering av backspegel. Not for installation of driving mirror. Non destiné au montage des rétroviseurs. Nicht für Einbau von Rückblickspiegeln vorgesehen. No apropiado para el montaje de espejos retrovisores.

Sida	Grupp	Utvändiga prydnadsdetaljer			Exterior trim	Illustration 15163	0950			
Page	92	8			external rear view mirror	1975-12				
		Group			CH 74450-					
Pos. Fig.	Antal/Quantity				Detalj nr Part No	Benämning	Description	Sats Kit	Anmärkning Notes	
71	2	-	-	-	276613-7	•Bakspiegel, blåtonat konvext glas	•Rear view mirror, blue-tinted convex glass		EEC (1213605)	3160
	2	-	-	-	1213607-3	••Bakspiegelhuvud, blåtonat plant glas	••Mirror head, blue-tinted flat glass			3170
	2	-	-	-	1213609-9	••Bakspiegelhuvud, blåtonat konvext glas	••Mirror head, blue-tinted convex glass		EXCL EEC	3180
	2	-	-	-	1213608-1	••Bakspiegelhuvud, blåtonat konvext glas	••Mirror head, blue-tinted convex glass		EEC	3190
72	2	-	-	-	941637-1	••Skruv	••Screw			3200
73	2	-	-	-	1211722-2	••Underlägg	••Pad			3210
74	2	-	-	-	961328-2	•Skruv	•Screw		L 14	3220
	2	-	-	-	961332-4	•Skruv	•Screw		L 25	3230
75	-	-	-	-		Bakspiegel	Rear view mirror	8	CH 102950-	3240
	2	-	-	-	1213993-7	•Bakspiegel, blåtonat plant glas	•Rear view mirror, blue-tinted flat glass		ALT 1	3250
	2	-	-	-	1213992-9	•Bakspiegel, blåtonat konvext glas	•Rear view mirror, blue-tinted convex glass		ALT 2	3260
76	2	-	-	-	1203647-1	••Bakspiegelhuvud, blåtonat plant glas	••Rear view mirror, blue-tinted flat glass		ALT 1	3270
	2	-	-	-	1203646-3	••Bakspiegelhuvud, blåtonat konvext glas	••Mirror head, blue-tinted convex glass		ALT 2	3280
77	2	-	-	-	1203272-8	•••Kulskål	•••Ball race			3290
78	2	-	-	-		•••Kulled	•••Ball joint	8		3300
79	2	-	-	-	946710-1	•••Skruv	•••Screw			3310
80	2	-	-	-		••Arm	••Arm	8		3320
81	2	-	-	-		••Fäste	••Attachment	8		3330
82	2	-	-	-	1213951-5	••Flänsbricka	••Flange washer			3340
83	4	-	-	-	1203318-9	••Stödbricka	••Support washer			3350
84	2	-	-	-	1203025-0	••Styrtapp	••Locating pin			3360
85	2	-	-	-	1203024-3	••O-ring	••O-ring			3370
86	2	-	-	-	1213954-9	••Styrhylsa	••Guide sleeve			3380
87	2	-	-	-	1213953-1	••Flänsbricka	••Flange washer			3390
88	2	-	-	-	1203303-1	••Styrbricka	••Guide washer			3400
89	4	-	-	-	942001-9	••Skruv	••Screw		(946783)	3410
90	8	-	-	-	1203732-1	Friktionsklots	Friction block		CH 105373-151614. EXCL JAPAN.	3420