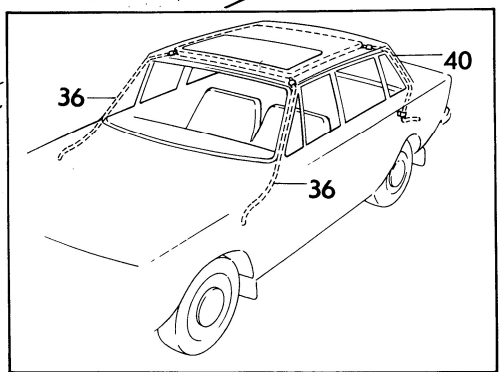


VOLVO PARTS  
 1 080 12121





Sida	Grupp	Taklucka	Sliding roof	Illustration 12121	0350					
20	8	MTL	MTL	1975-12						
Page	Group									
Pos. Fig.	Antal/Quantity				Detalj nr Part No	Benämning	Description	Sats Kit	Anmärkning Notes	
1	1	-	-	-	680963-6	Ram .....	Frame .....			1010
2	2	-	-	-	1201923-8	Konsol .....	Bracket .....		CH 132567 - .	1020
3	1	-	-	-	681091-5	Styrskena, V .....	Guide rail, L .....			1030
	1	-	-	-	681092-3	Styrskena, H .....	Guide rail, R .....			1040
4	2	-	-	-	680956-0	Fäste .....	Anchorage .....			1050
5	2	-	-	-	681096-4	Mellanstycke .....	Spacer .....			1060
6	6	-	-	-	955162-3	Skruv .....	Screw .....	0		1070
7	1	-	-	-	680961-0	Styrskena, V .....	Guide rail, L .....			1080
	1	-	-	-	680962-8	Styrskena, H .....	Guide rail, R .....			1090
8	1	-	-	-	681306-7	Förstärkning .....	Reinforcement .....			1100
9	4	-	-	-	955162-3	Skruv .....	Screw .....	0		1110
9a	2	-	-	-	684201-7	Bricka .....	Washer .....			1120
10	1	-	-	-	680959-4	Täcklist .....	Escutcheon moulding .....			1130
11	6	-	-	-	955162-3	Skruv .....	Screw .....			1150
12	1	-	-	-	680964-4	Lucka, yttre .....	Roof, outer .....			1160
13	2	-	-	-	681101-2	Fäste .....	Anchorage .....			1170
14	4	-	-	-	955246-4	Skruv .....	Screw .....			1180
15	4	-	-	-	17840-0	Låsbricka .....	Lock washer .....	0		1190
16	2	-	-	-	681102-0	Säkringsbleck .....	Tab washer .....	2		1200
17	1	-	-	-	681093-1	Wire, V .....	Cable, L .....	2		1210
	1	-	-	-	681094-9	Wire, H .....	Cable, R .....	2		1220
18	2	-	-	-	681103-8	Förstärkning .....	Reinforcement .....			1230
19	4	-	-	-	955224-1	Skruv .....	Screw .....	0		1240
20	4	-	-	-	120344-7	Låsbricka .....	Lock washer .....	0		1250
21	2	-	-	-	681104-6	Glidsko .....	Dog .....	2		1260
22	1	-	-	-	681097-2	Växelhus .....	Gear housing .....	3		1270
23	2	-	-	-	956165-5	Skruv .....	Screw .....	0		1280
24	2	-	-	-	681098-0	Mutterplatta .....	Nut plate .....			1290
25	2	-	-	-	956271-1	Skruv .....	Screw .....	0		1300
26	1	-	-	-	681100-4	Vev .....	Crank .....	3		1310
27	1	-	-	-	956272-9	Skruv .....	Screw .....			1330
28	1	-	-	-	681099-8	Distansbricka .....	Spacer washer .....			1340
29	1	-	-	-	681095-6	Fjäderbleck .....	Spring tab .....			1350
30	1	-	-	-	681106-1	Skål .....	Shell .....		CH-132566.	1360
	1	-	-	-	1201925-3	Skål .....	Shell .....		CH 132567 - .	1365
31	1	-	-	-	955172-2	Skruv .....	Screw .....		CH-132566.	1370
32	1	-	-	-	192557-7	Fjädermutter .....	Spring nut .....		CH-132566.	1380
33	1	-	-	-	681432-1	Vindavvisare .....	Wind deflector .....			1390
34	1	-	-	-	686131-4	Länk, V .....	Link, L .....			1400
	1	-	-	-	686132-2	Länk, H .....	Link, R .....			1410
35	3	-	-	-	684202-5	Plugg .....	Plug .....			1420
36	2200	-	-	-	942754-3	Slang .....	Hose .....		2 X 1100	1430
37	34	-	-	-	944188-2	Slang .....	Hose .....		2 X 17	1440
38	2	-	-	-	1211334-6	Backventil .....	Check valve .....		CH-77964	1455
39	2	-	-	-	945652-6	Slangklammer .....	Hose clip .....		(943572)	1460
40	3700	-	-	-	944188-2	Slang .....	Hose .....		2 X 1850, TID UTF	1470
41	2560	-	-	-	944188-2	Slang .....	Hose .....		2 X 1280, SEN UTF	1475
42	600	-	-	-	943519-9	Slang .....	Hose .....		2 X 300, SEN UTF	1476
43	2	-	-	-	685975-5	Y-nippel .....	Y-piece .....		SEN UTF	1477
									(685976)	1478
44	2	-	-	-	945652-6	Slangklammer .....	Hose clip .....		(943572)	1480
45	2	-	-	-	192230-1	Clips .....	Clip .....		TID UTF	1490
46	1	-	-	-	681823-1	Lucka, inre, med klädsel .....	Roof, inner with headlining .....		CH-132566.	1500
	1	-	-	-	1224362-2	Lucka, inre med klädsel .....	Roof, inner with headlining .....		CH 132567 - .	1510
47	1	-	-	-	681110-3	Kederlist .....	Piping .....			1517
48	1	-	-	-	681090-7	Kederlist .....	Piping .....			1520
49	1	-	-	-	681089-9	Tätninglist .....	Seal moulding .....			1530
50	1	-	-	-	681777-9	Kantskyddslist .....	Edge guard .....			1540
50a	1	-	-	-	1207600-6	Klamma .....	Clamp .....		CH 104059 - .	1550
51	1	-	-	-	693067-1	Stoppning, V .....	Upholstery, L .....		CH-132566.	1560
52	1	-	-	-	693068-9	Stoppning, H .....	Upholstery, R .....		CH-132566.	1570



Sida		Grupp		Taklucka		Sliding roof		Illustration 12121		0350
22		8		MTL		MTL		1975-12		
Page		Group								
Pos. Fig.	Antal/Quantity				Detalj nr Part No	Benämning	Description	Sats Kit	Anmärkning Notes	
53	2	-	-	-	692881-6	Stoppning .....	Upholstery .....		CH-132566.	1580
54	1	-	-	-	692880-8	Stoppning .....	Upholstery .....		CH-132566.	1590
55	1	-	-	-	692882-4	Stoppning .....	Upholstery .....		CH-132566.	1600
56	1	-	-	-	692879-0	Stoppning .....	Upholstery .....		CH-132566.	1610