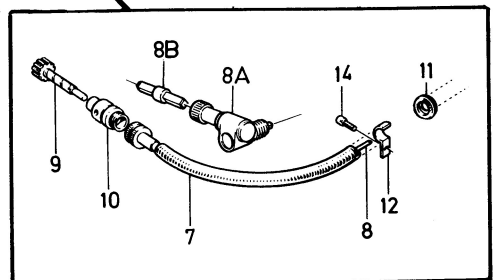
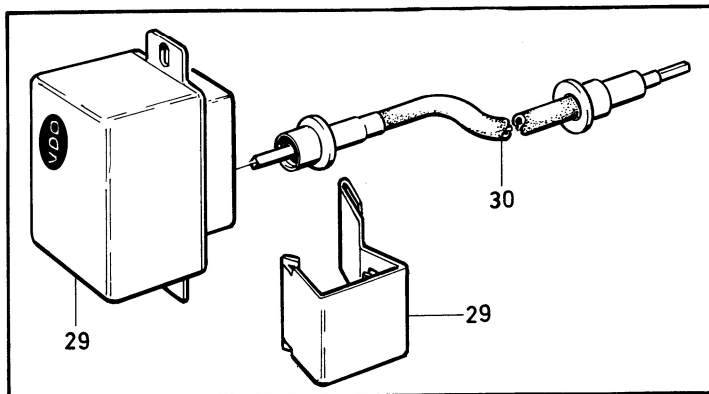
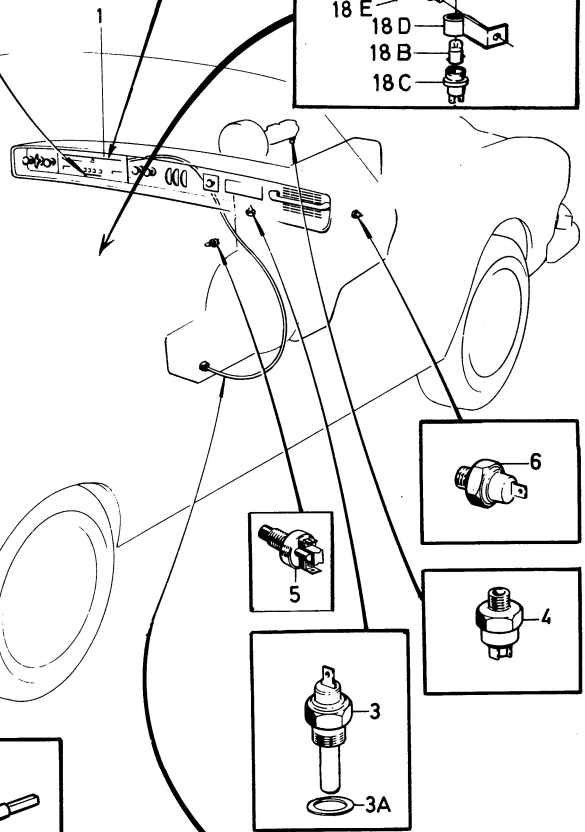
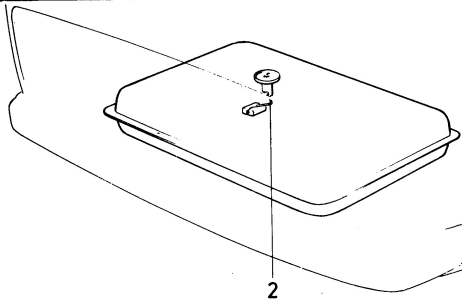
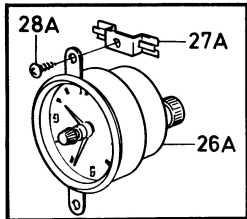
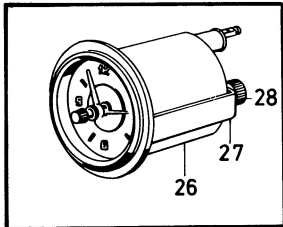
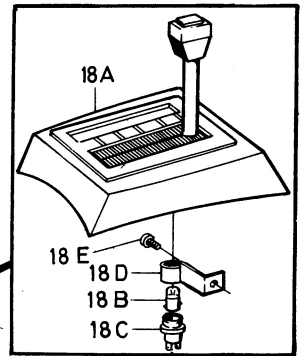


32
UNLEADED GASOLINE ONLY



VOLVO PARTS
1030 14128

Sida	Grupp	Instrumentering, instrumentutrustning			Instrumentation, instrument equipment		Illustration 14128	1100		
82	3						1975-12			
Page	Group									
Pos. Fig.	Antal/Quantity				Detalj nr Part No	Benämning	Description	Sats Kit	Anmärkning Notes	
1	1	-	-	-	683900-5	Kombinerat instrument	Combined instrument		KM CH-45986 ERS AV 1210161-4	0020 0040 0060
	1	-	-	-	1210161-4	•Det sida 88, 1-K13 Kombinerat instrument	•Comps. page 88, 1-K13 Combined instrument		KM CH45987-52789	0080 0100
	1	-	-	-	1210157-2	•Det sida 90, 1-K15 Kombinerat instrument	•Comps. page 90, 1-K15 Combined instrument		KM CH 52790-74449	0120 0140
	1	-	-	-		•Det sida 90, 1-K15 Kombinerat instrument	•Comps. page 90, 1-K15 Combined instrument	8	KM CH 74450-102949	0160 0180
	1	-	-	-		•Det sida 92, 1-K17 Kombinerat instrument	•Comps. page 92, 1-K17 Combined instrument	8	KM CH 102950-132566	0200 0220
	1	-	-	-		•Det sida 92, 1-K17 Kombinerat instrument	•Comps. page 92, 1-K17 Combined instrument	8	KM CH 132567-	0240 0260
	1	-	-	-		•Det sida 94, 1-K19 Kombinerat instrument	•Comps. page 94, 1-K19 Combined instrument		MILES CH-44659 ERS AV 1210162-2	0280 0300
	1	-	-	-		•Det sida 88, 1-K13 Kombinerat instrument	•Comps. page 88, 1-K13 Combined instrument		MILES CH 44660-52789	0320 0340
	1	-	-	-	1210162-2	•Det sida 90, 1-K15 Kombinerat instrument	•Comps. page 90, 1-K15 Combined instrument		MILES CH 52790-74449	0360 0380
	1	-	-	-	1210158-0	•Det sida 90, 1-K15 Kombinerat instrument	•Comps. page 90, 1-K15 Combined instrument	8	MILES CH 74450-102949	0400 0420
	1	-	-	-		•Det sida 92, 1-K17 Kombinerat instrument	•Comps. page 92, 1-K17 Combined instrument	8	MILES CH 102950-132566	0440 0460
	1	-	-	-		•Det sida 92, 1-K17 Kombinerat instrument	•Comps. page 92, 1-K17 Combined instrument	8	MILES CH 132567-	0480 0500
	1	-	-	-		•Det sida 94, 1-K19 Kombinerat instrument	•Comps. page 94, 1-K19 Combined instrument		SE GRUPP 2C	0520 0540
2	1	-	-	-		Tankarmatur	Fuel gauge sender		CH-74449	0560
3	1	-	-	-	679852-4	Temperaturgivare	Temperature sender		CH 74450-	0580
	1	-	-	-	460191-0	Temperaturgivare	Temperature sender		B30E,F	0600
3a	1	-	-	-	955894-1	Bricka	Washer		SE GRUPP 5	0620
4	1	-	-	-	679939-9	Bromskontakt	Brake contact		SE GRUPP 5	0640
5	1	-	-	-	679364-0	Bromskontakt	Brake contact			0660
6	1	-	-	-	672910-7	Oljetryckskontakt	Oil pressure contact		M400 VST CH-33780 L 1580	0680 0700
7	1	-	-	-	670506-5	Drivaxel	Drive axle		M400 VST CH 33781 -74449. L 1580	0720 0740
	1	-	-	-	688624-6	Drivaxel	Drive axle		M400 VST CH 74450 -132566. L 1735	0760 0780
	1	-	-	-	1214307-9	Drivaxel	Drive axle		M400 HST CH-74449 L 1580	0820 0840
	1	-	-	-	670506-5	Drivaxel	Drive axle		M400 HST CH 74450 -132566. L 1370	0860 0880
	1	-	-	-	1214094-3	Drivaxel	Drive axle		M410, BW35 VST CH-33780 L 1800	0900 0920
	1	-	-	-	676696-8	Drivaxel	Drive axle		M410, BW35 VST CH 33781-74449 L 1880	0940 0960
	1	-	-	-	688623-8	Drivaxel	Drive axle		M410 VST CH 74450 -132566. L 2000	0980 1000
	1	-	-	-	1214055-4	Drivaxel	Drive axle		M410 VST CH 132567- CH-74449 L 1800	1020 1040
	1	-	-	-	1234220-0	Drivaxel	Drive axle		M410, BW35 HST CH-74449 L 1800	1060 1080
	1	-	-	-	676696-8	Drivaxel	Drive axle		M410 HST CH 74450 -132566. L 1635	1100 1120
	1	-	-	-	1214053-9	Drivaxel	Drive axle		BW35 VST CH 74450 -132566. L 1875	1140 1160
	1	-	-	-	1214056-2	Drivaxel	Drive axle		BW35VST CH 132567-142749 EXCL JAPAN. L 1875	1180 1200
	1	-	-	-	1215547-9	Drivaxel	Drive axle		BW35 VST CH 142750- EXCL JAPAN	1220 1240
	1	-	-	-	1234490-9	Drivaxel	Drive axle		BW35VST JAPAN CH 132567-. L 1875	1260 1280
	1	-	-	-	1215563-6	Drivaxel	Drive axle		BW35 HST CH 74450- -132566. L 1510	
	1	-	-	-	1214054-7	Drivaxel	Drive axle			



Sida	Grupp	Instrumentering,	Instrumentation,	Illustration 14128	1100					
Page	84	3	instrumentutrustning	instrument equipment						
Pos. Fig.	Antal/Quantity			Detalj nr Part No	Benämning	Description	Sats Kit	Anmärkning Notes		
8	-	-	-	-		•Drivlina	•Drive cable	8		1300
8a	1	-	-	-	666756-2	Vinkelväxel	Helical gear		M410 VST CH 132567-	1320
8b	1	-	-	-	1212553-0	Medbringarstift	Pin		M410 VST CH 132567-	1340
9	1	-	-	-		Drivaxeldrev	Drive axle gear		SE GRUPP 4	1360
10	1	-	-	-		Lagerhylsa	Bearing cage		SE GRUPP 4	1380
11	1	-	-	-	941265-1	Skyddsbusning	Bushing		CH- 12199	1400
	1	-	-	-	941265-1	Skyddsbusning	Bushing		VST CH 12200-74449	1420
	1	-	-	-	941269-3	Skyddsbusning	Bushing		HST CH 12200-74449	1440
	1	-	-	-	941262-8	Skyddsbusning	Bushing		CH 74450-	1460
12	1	-	-	-	951188-2	Klammer	Clamp		CH- 12199	1480
	1	-	-	-	951191-6	Klammer	Clamp		CH 12200-74449	1500
	1	-	-	-	191404-3	Klammer	Clamp		HST CH- 74449	1520
	1	-	-	-	951191-6	Klammer	Clamp		M400 CH 74450-	1540
	1	-	-	-	951188-2	Klammer	Clamp		BW35 CH 74450-13451.	1560
	1	-	-	-	951188-2	Klammer	Clamp		M410 CH 74450-	1580
14	2	-	-	-	190665-0	Skruv	Screw		BW35 CH 134352-	1600
	1	-	-	-	190665-0	Skruv	Screw		CH- 12199	1620
	1	-	-	-	958236-2	Skruv	Screw		CH 12200-74449	1640
15	1	-	-	-	677452-5	Signalhus,	Signal housing,		CH 74450-	1660
	1	-	-	-	677452-5	Signalhus,	Signal housing,		8) M41	1680
16	1	-	-	-	277747-2	•Glödlampa	•Bulb		W18D 12V 1,2W	1700
17	1	-	-	-	677454-1	•Lamphållare	•Bulb socket			1720
18	1	-	-	-	679939-9	Växellägesindikator	Gear position indicator		8) BW35	1760
18a	1	-	-	-		Kåpa	Casing		9) BW35. SE GRUPP 4	1780
18b	1	-	-	-	277747-2	Glödlampa	Bulb		9) BW35	1800
18c	1	-	-	-	677292-5	Lamphållare	Bulb socket		9) BW35	1820
18d	1	-	-	-	381722-8	Konsol	Bracket		9) BW35	1840
18e	1	-	-	-	950007-5	Skruv	Screw		9) BW35	1860
19	1	-	-	-	281441-6	Varvräknare	Revolution counter			1880
20	1	-	-	-	682963-4	•Frontkåpa	•Front housing			1900
21	1	-	-	-		•Glas	•Lens			1920
22	1	-	-	-		•Packning	•Packing	8		1940
23	1	-	-	-		•Ring	•Ring	8		1960
24	1	-	-	-	681125-1	•Hylsa	•Cover			1980
25	1	-	-	-	672586-5	•Vingmutter	•Butterfly nut			2000
26	1	-	-	-	1214031-5	Klocka	Clock		VST CH 32400-52789,	2020
	1	-	-	-	1214031-5	Klocka	Clock		74450-91128	2040
	1	-	-	-	1214031-5	Klocka	Clock		(687248)	2060
	1	-	-	-	1214031-5	Klocka	Clock		HST CH 32400-52789,	2080
	1	-	-	-	1214031-5	Klocka	Clock		74450-92853	2100
	1	-	-	-	1214031-5	Klocka	Clock		(687248)	2120
26a	1	-	-	-	1210033-5	Klocka	Clock		CH 52790-74449	2140
	1	-	-	-	1214681-7	Klocka	Clock		VST CH 91129-	2160
	1	-	-	-	1214681-7	Klocka	Clock		HST CH 92854-	2180
27	2	-	-	-	688691-5	Fästjärn	Anchorage		VST CH 32400-52789,	2200
	2	-	-	-	688691-5	Fästjärn	Anchorage		74450-91128	2220
	2	-	-	-	688691-5	Fästjärn	Anchorage		HST CH 32400-52789,	2240
	2	-	-	-	688691-5	Fästjärn	Anchorage		74450-92853	2260
27a	2	-	-	-	1210104-4	Fästjärn	Anchorage		CH 52790-74449	2280
	2	-	-	-	1214652-8	Clips	Clips		VST CH 91129-	2300
	2	-	-	-	1214652-8	Clips	Clips		HST CH 92854-	2320
28	2	-	-	-	688690-7	Mutter	Nut		VST CH 32400-52789,	2340
	2	-	-	-	688690-7	Mutter	Nut		74450-91128	2360
	2	-	-	-	688690-7	Mutter	Nut		HST CH 32400-52789,	2380
	2	-	-	-	688690-7	Mutter	Nut		74450-92853	2400
28a	2	-	-	-	1210105-1	Mutter	Nut		CH 52790-74449	2420
	2	-	-	-	955126-8	Skruv	Screw		VST CH 91129-	2440
	2	-	-	-	955126-8	Skruv	Screw		HST CH 92854-	2460
29	1	-	-	-	1215746-7	Egr-don	Egr-unit		CH 132567-	2480

8. Ch -52789.

9. Ch 52790-.



Sida Page		Grupp Group		Instrumentering, instrumentutrustning		Instrumentation, instrument equipment		Illustration 14128 1975-12		1100
Pos. Fig.	Antal/Quantity				Detalj nr Part No	Benämning	Description	Sats Kit	Anmärkning Notes	
30	1	-	-	-	1215747-5	Drivaxel	Drive axle		CH 132567 -	2500
31	1	-	-	-	1215748-3	Hållare	Retainer		CH 132567 -	2520
32	1	-	-	-	1202390-9	Skylt (unleaded gasoline only)	Plate (unleaded gasoline only)		CALIF.	2540 2560