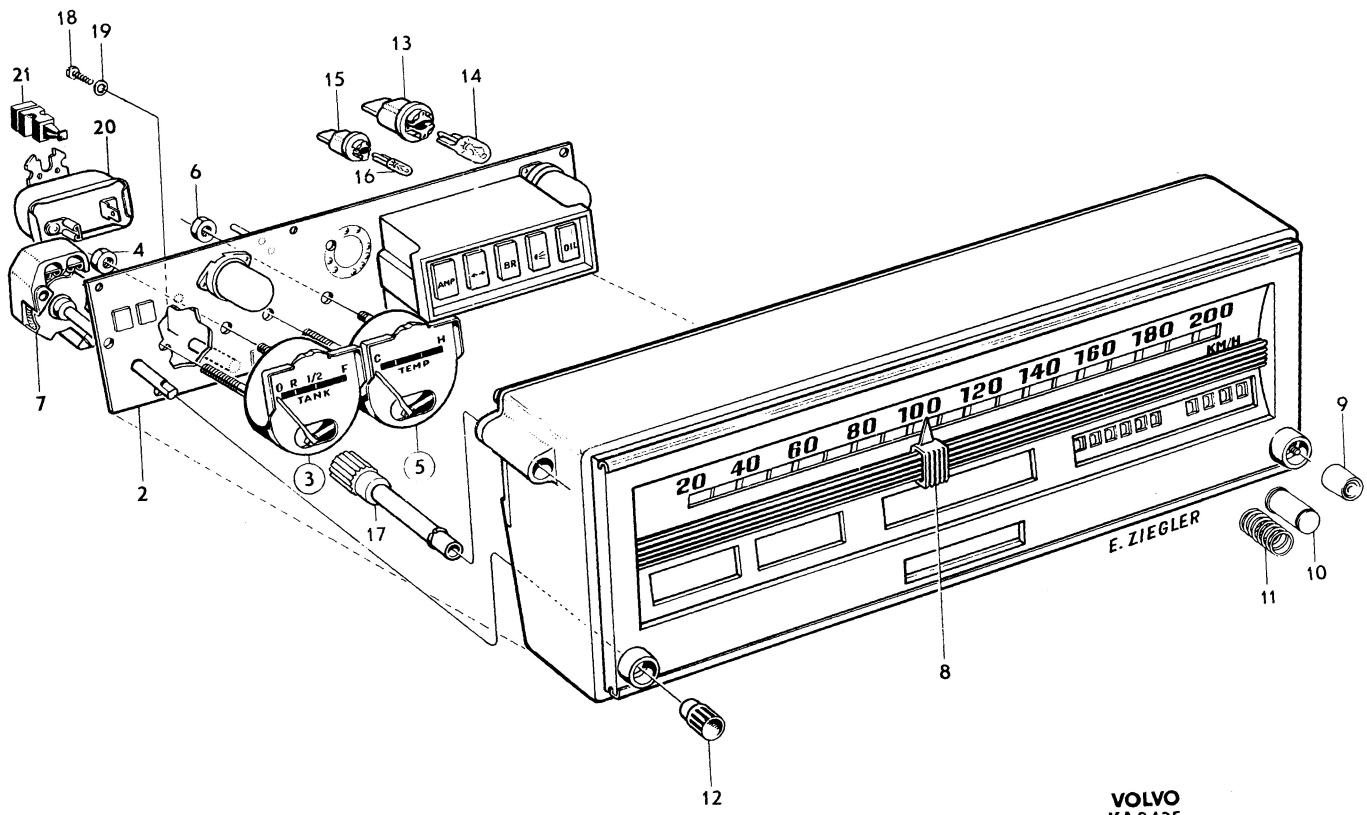


①



**VOLVO**  
KA8435



Sida		Grupp		Kombinerat instrument		Combined instrument		Illustration 8435		1150
88		3		683900, 683901		683900, 683901				
Page		Group						1975-12		
Pos. Fig.	Antal/Quantity				Detalj nr Part No	Benämning	Description	Sats Kit	Anmärkning Notes	
	683 900	683 901								
1	1	-	-	-	683900-5	Kombinerat instrument .....	Combined instrument .....		KM (677064)	1010
	-	1	-	-	683901-3	Kombinerat instrument .....	Combined instrument .....		MILES (677405) (676061)	1011 1020 1021
2	1	1	-	-	684624-0	•Ledningsplatta .....	•Wiring plate .....			1030
3	1	1	-	-	678062-1	•Bensinmätare .....	•Fuel gauge .....	2		1040
4	2	2	-	-	955844-6	•Mutter .....	•Nut .....	0		1050
5	1	1	-	-	683902-1	•Kylvätsketermometer .....	•Coolant thermometer .....	2	(678063)	1060
6	2	2	-	-	955844-6	•Mutter .....	•Nut .....	0		1070
7	1	1	-	-	1212910-2	•Reostat .....	•Rheostat .....	3		1080
8	1	1	-	-	678065-4	•Hastighetsmarkerare .....	•Speedometer marker .....			1090
9	1	1	-	-	681645-8	•Knopp, trippmätare .....	•Knob, trip meter .....	2		1100
10	1	1	-	-	681646-6	•Hylsa .....	•Sleeve .....			1110
11	1	1	-	-	681647-4	•Fjäder .....	•Spring .....			1120
12	1	1	-	-	680549-3	•Ratt, reostat .....	•Knob, rheostat .....	3		1130
13	2	2	-	-	677445-9	•Lamphållare .....	•Bulb socket .....			1140
14	2	2	-	-	677448-3	•Glödlampa .....	•Bulb .....	1	W2 2D 12V 3W	1150
15	5	5	-	-	677447-5	•Lamphållare .....	•Bulb socket .....			1160
16	5	5	-	-	277747-2	•Glödlampa .....	•Bulb .....	1	W1 8D 12V 1,2W	1170
17	2	2	-	-	677448-3	•Infästningsskruv med låsring	•Attaching screw with lock ring			1180 1190
18	1	1	-	-	956044-2	•Skruv, störningsskydd .....	•Screw, supressor .....	0		1200
19	1	1	-	-	955890-9	•Bricka, störningsskydd .....	•Washer supressor .....	0		1210
20	1	1	-	-	684623-2	•Spänningsstabilisator .....	•Voltage stabilizer .....	2	(677450)	1220
21	1	1	-	-	684622-4	•Fäste .....	•Anchorage .....			1230