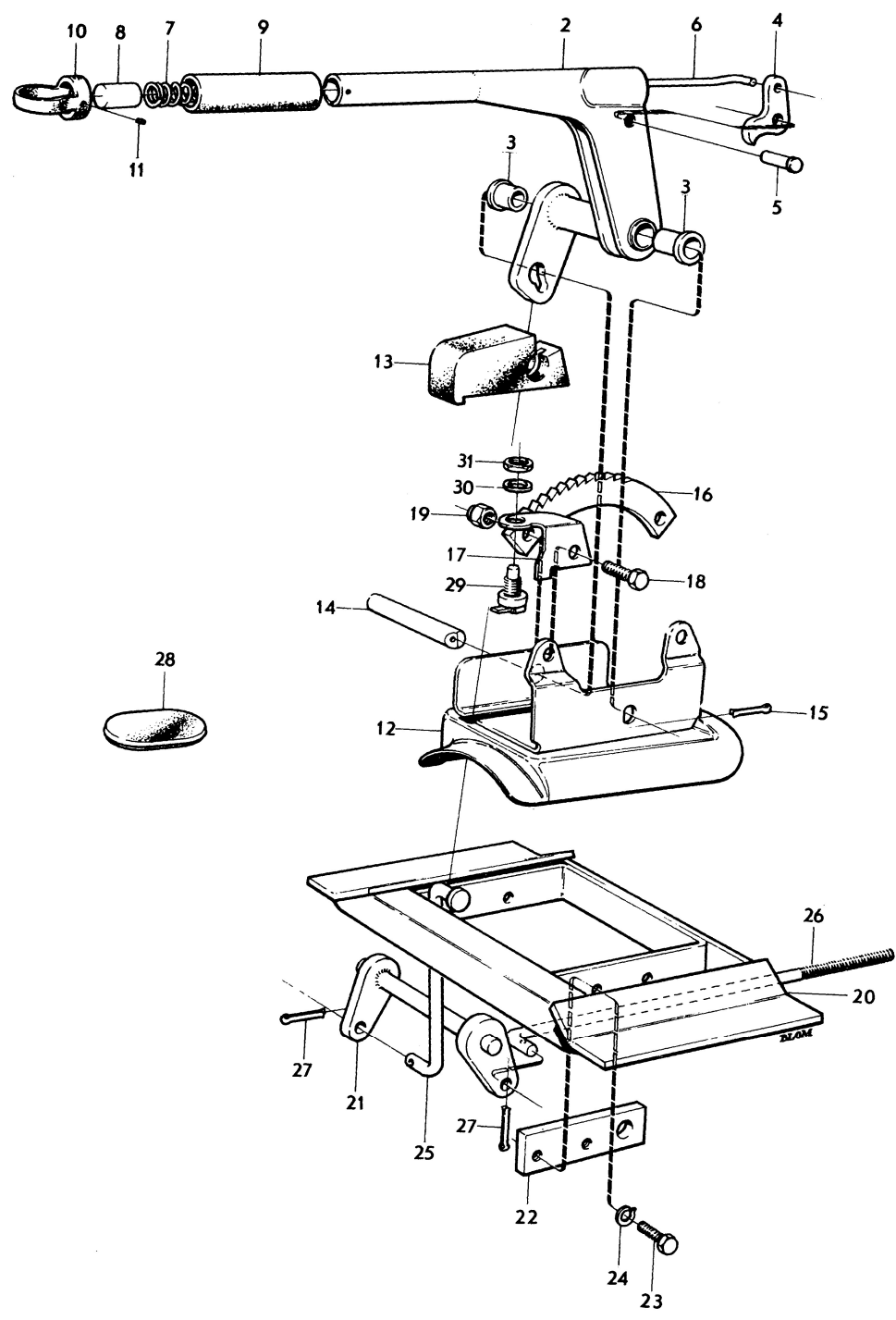
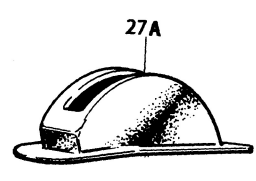


①



**VOLVO**  
KA 7234

Sida		Grupp		Handbroms, mittplacerad		Handbrake, middle placed		Illustration 7234		0450
30		5								
Page		Group						1975-12		
Pos. Fig.	Antal/Quantity				Detalj nr Part No	Benämning	Description	Sats Kit	Anmärkning Notes	
	273 112	273 200								
1	1	-	-	-	273112-3	Handbromssats .....	Handbrake kit .....		CH-12199.	1010
	-	1	-	-	273200-6	Handbromssats .....	Handbrake kit .....		CH12200-.	1020
2	1	1	-	-	662988-5	•Handbromsspak .....	•Handbrake lever .....	S		1030
3	2	2	-	-	653576-9	••Bussning .....	••Bushing .....	S		1040
4	1	1	-	-	653466-3	•Spärrhake .....	•Pawl .....	S		1050
5	1	1	-	-	190848-2	•Nit .....	•Rivet .....	S		1060
6	1	1	-	-	658326-4	•Tryckstång .....	•Push rod .....	S		1070
7	1	1	-	-	675948-4	•Fjäder .....	•Spring .....	S		1080
8	1	1	-	-	654980-2	•Knapp .....	•Button .....	S		1090
9	1	1	-	-	658332-2	•Handtag .....	•Handle .....	S		1100
10	1	1	-	-	660651-1	•Bygel .....	•Brace .....	S		1110
11	1	1	-	-	191030-6	•Skruv .....	•Screw .....	S		1120
12	1	-	-	-		•Fäste .....	•Anchorage .....	8	(969741)	1130
	-	1	-	-	684366-8	•Fäste .....	•Anchorage .....	S		1140
13	1	1	-	-	658322-3	•Tätning .....	•Seal .....	S		1150
14	1	1	-	-	658327-2	•Pinne .....	•Pin .....	S		1160
15	1	1	-	-	907824-7	•Saxpinne .....	•Split pin .....	S		1170
16	1	1	-	-	653449-9	•Spärrsegment .....	•Quadrant .....	S		1180
17	1	1	-	-	681538-5	•Konsol .....	•Bracket .....	S		1190
18	2	2	-	-	940135-7	•Skruv .....	•Bolt .....	S		1200
19	2	2	-	-	950353-3	•Mutter .....	•Nut .....	S		1210
20	1	-	-	-	680315-9	•Fäste .....	•Anchorage .....	S		1220
	-	1	-	-	684361-9	•Fäste .....	•Anchorage .....	S		1230
21	1	-	-	-	680310-0	•Axel .....	•Shaft .....	S		1240
	-	1	-	-	684359-3	•Axel .....	•Shaft .....	S		1250
22	2	2	-	-	680316-7	•Lagerplåt .....	•Bearing plate .....	S		1260
23	4	4	-	-	955512-9	•Skruv .....	•Bolt .....	S		1270
24	4	4	-	-	955920-4	•Fjäderbricka .....	•Spring washer .....	S		1280
25	1	1	-	-	680317-5	•Dragstång .....	•Pull rod .....	S		1290
26	1	-	-	-	666419-7	•Dragstång .....	•Pull rod .....	S		1300
	-	1	-	-	684358-5	•Dragstång .....	•Pull rod .....	S		1310
27	2	2	-	-	907849-4	•Saxpinne .....	•Split pin .....	S		1320
27a	1	-	-	-	670876-2	•Gummikåpa .....	•Rubber casing .....	S		1330
	-	1	-	-	686331-0	•Gummikåpa .....	•Rubber casing .....	S		1340
28	1	1	-	-	662054-6	•Tätning .....	•Seal .....	S		1350
29	1	1	-	-		Kontakt .....	Contact .....		SE GRUPP 3.	1360
30	1	1	-	-		Låsbricka .....	Lock washer .....		SE GRUPP 3.	1370
31	1	1	-	-		Mutter .....	Nut .....		SE GRUPP 3.	1380