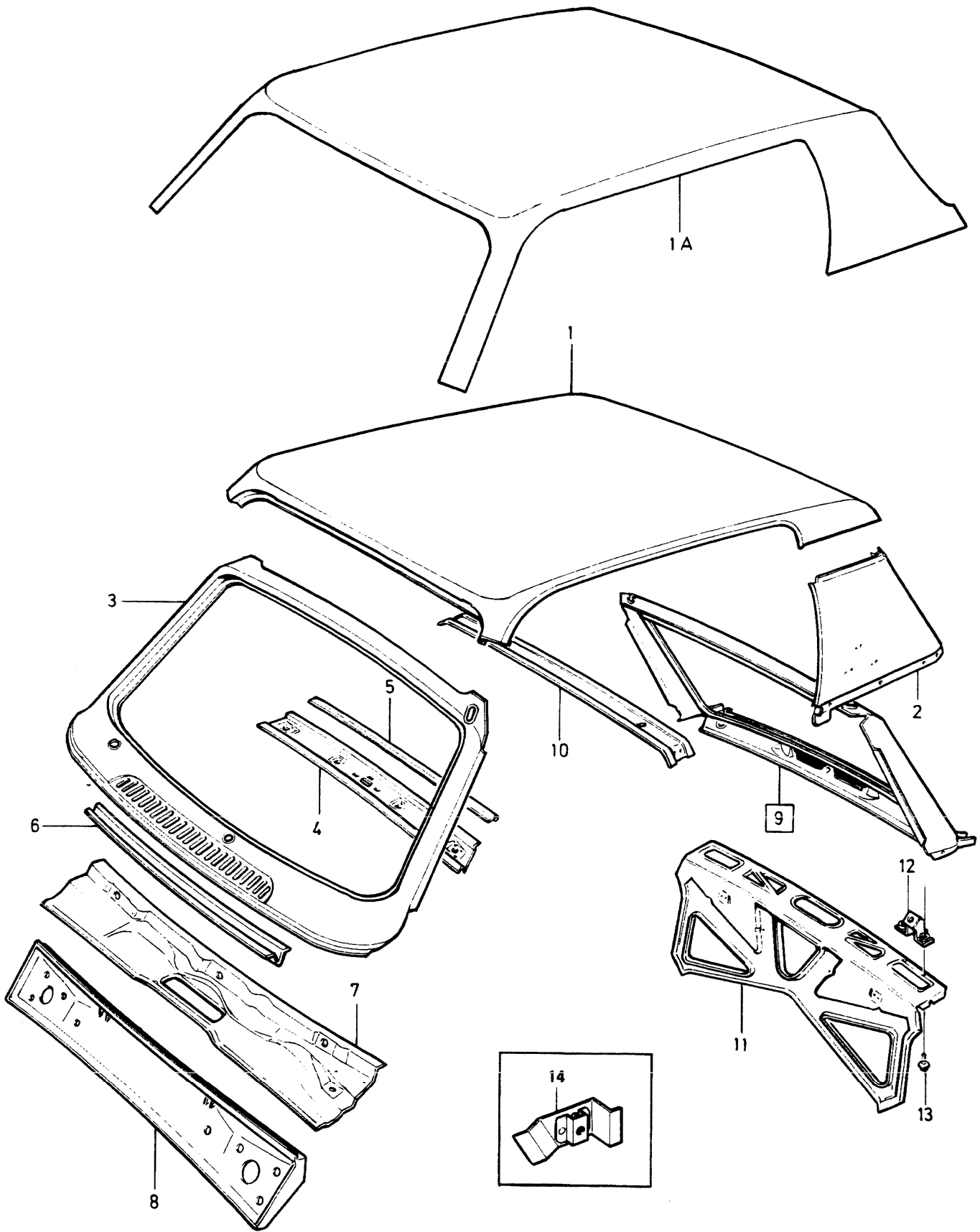


A	<th colspan="2">BODY FRAME</th> <th colspan="2">OSSATURE CARROSSERIE</th> <th rowspan="5">Group Groupe 81 Page Page 1265</th>		BODY FRAME		OSSATURE CARROSSERIE		Group Groupe 81 Page Page 1265				
	B	<th colspan="2">ROOF SECTION</th> <th colspan="2">PARTIE PAVILLON</th>		ROOF SECTION		PARTIE PAVILLON					
		C	<th colspan="2"> <th colspan="2">242, 244, 264.</th> </th>		<th colspan="2">242, 244, 264.</th>			242, 244, 264.			
			D	<th colspan="2"> <th colspan="2"></th> </th>		<th colspan="2"></th>					
				E							
Fig	Part No. No de réf.	Quantity / Nombre					P S	Description	Designation	Notes Remarques	S R
		A	B	C	D	E					
1	1254822-8	1	-	-	-	-		Roof plate	Tole toit	W/O S.R	4
	1254823-6	1	-	-	-	-		Roof plate	Tole toit	S.R (1254824)	4
	1382291-1	X	-	-	-	-		• Frame	• Chassis	S.R	5
2	1254959-8	1	-	-	-	-		Windscreen frame	Cadre pare-brise		4
3	686008-4	1	-	-	-	-		• Windscreen member	• Membrane pare-brise		4
4	1213984-6	1	-	-	-	-		Protecting plate	Tole protection		4
5	1202788-4	1	-	-	-	-		Cowl member	Poutre auvent	L.H.D	5
	1202790	1	-	-	-	-	OP	Cowl member	Poutre auvent	R.H.D	5
6	1315752-4	1	-	-	-	-		Firewall	Tablier	L.H.D	5
	1315759-9	1	-	-	-	-		Upper section Firewall	Partie superieure Tablier	(1255625) R.H.D	5
								Upper section	Partie superieure	(1255626)	
7	1254130-6	1	-	-	-	-		Rear window frame	Encadrement lunette ar		5
8	675781-9	1	-	-	-	-		• Member	• Poutre		4
9		1	-	-	-	-	NS	• Member	• Poutre		4
10	677571-2	1	-	-	-	-		Roof arch	Arceau toit	W/O S.R	4
11	675433-7	1	-	-	-	-		Rear shelf	Tablette ar		5
12	1254126-4	3	-	-	-	-		Bracket	Console	1) (AUS)	4
13	948893-3	6	-	-	-	-		Flange screw	Vis a bride	1) (AUS)	2
14	1246228-9	1	-	-	-	-		Stay, l.h.	Tirant, g		4
	1246229-7	1	-	-	-	-		Stay, r.h.	Tirant, d		4
15	1255671-8	2	-	-	-	-		Spacer sleeve	Douille entretoise		4
16	945444-8	2	-	-	-	-		Flange screw	Vis a bride		2
17	679754-2	X	-	-	-	-		Edge protection moulding	Lisse protection	LG 440	2

1) Not included in complete body. / Ne fait pas partie de la carrosserie complete.



VOLVO PARTS
1 080 25240
(107-6)