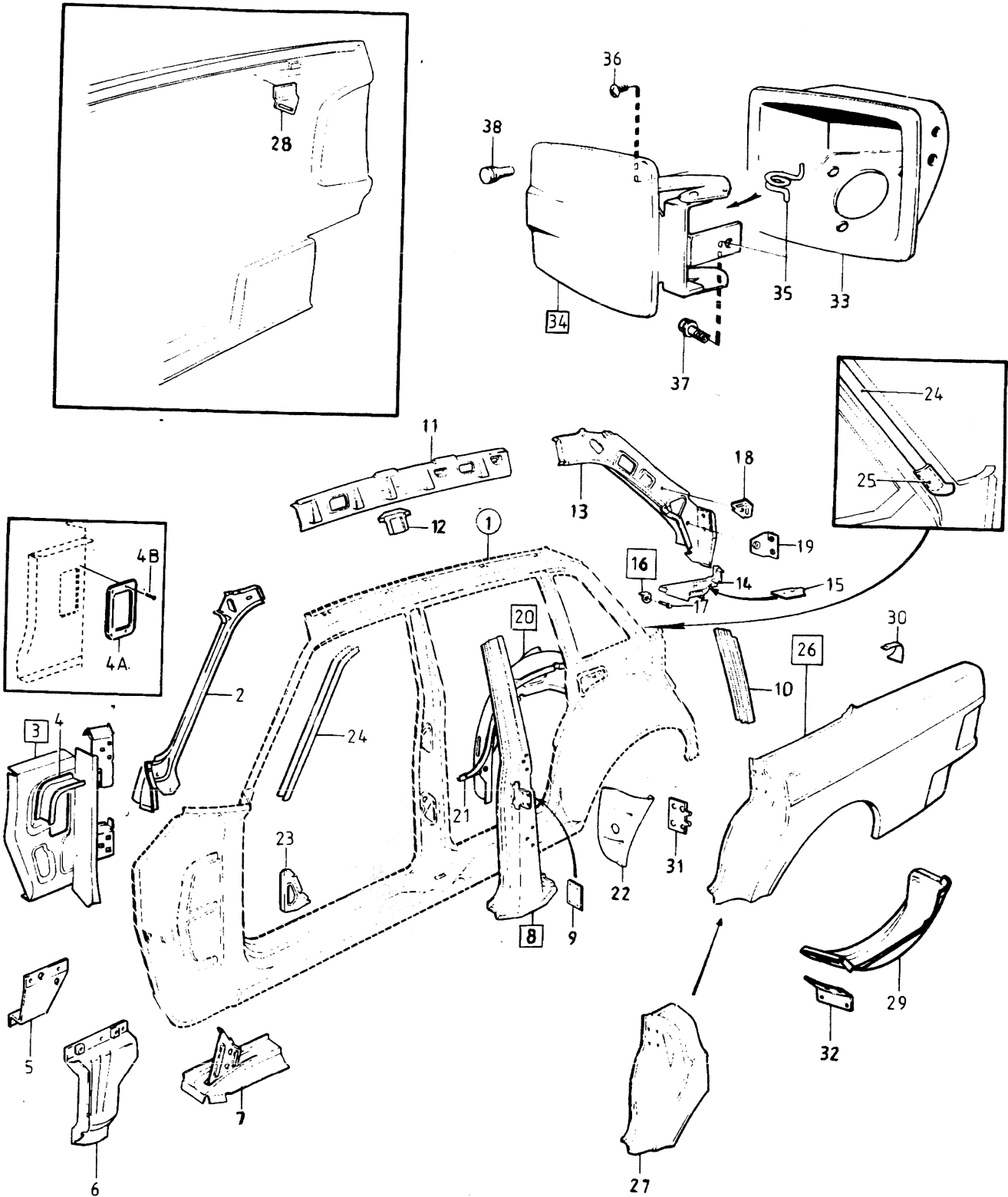


VOLVO PARTS
1080 34068
(107'6)

A							P S	Description	Designation	Notes Remarques	S R								
	B	BODY FRAME										OSSATURE CARROSSERIE							
		C	BODY SIDE									FLANC CAISSE							
			D									4 DRS							
				E															
Fig	Part No. No de réf.	Quantity / Nombre																	
		A	B	C	D	E													
1	1315138-6	1	-	-	-	-		Body side, l.h.	Flanc caisse, g	(675361)	5								
	1315139-4	1	-	-	-	-		Body side, r.h.	Flanc caisse, d	(675362)	5								
		-	-	-	-	-		•SEE 81 •1289	•SEE 81 •1289										
2	(1202766)	1	-	-	-	-	SP	Windscreen pillar, l.h.	Montant pare-brise, g		4								
	(1202767)	1	-	-	-	-	SP	Windscreen pillar, r.h.	Montant pare-brise, d		4								
3	(1304132)	1	-	-	-	-	SP	Cowl side, l.h.	Joue auvent, g	(1255220)	5								
	(1304133)	1	-	-	-	-	SP	Cowl side, r.h.	Joue auvent, d	(1255221)	5								
4	675452-7	1	-	-	-	-		•Run-off plate, l.h.	•Plaque drainage, g		4								
	675453-5	1	-	-	-	-		•Run-off plate, r.h.	•Plaque drainage, d		4								
4a	1211668-7	1	-	-	-	-		Cover plate	Tole recouvrement	CALIFORNIA, (J)	5								
4b	969278-1	7	-	-	-	-		Six point socket screw	Vis	(955138) CALIFORNIA, (J)	2								
5	1201758-8	1	-	-	-	-		Tie plate, l.h.	Tole jointure, g		5								
	1201759-6	1	-	-	-	-		Tie plate, r.h.	Tole jointure, d		5								
6	1382317-4	1	-	-	-	-		Tie plate, l.h.	Tole jointure, g	(1201766)	5								
	1382318-2	1	-	-	-	-		Tie plate, r.h.	Tole jointure, d	(1201767)	5								
7	676159-7	1	-	-	-	-		Cover plate, l.h.	Tole recouvrement, g		5								
	676160-5	1	-	-	-	-		Cover plate, r.h.	Tole recouvrement, d		5								
8	1247853-3	1	-	-	-	-		B-pillar, l.h. outer	Pied milieu, g externe		3								
	1247854-1	1	-	-	-	-		B-pillar, r.h. outer	Pied milieu, d externe		3								
9	1254055-5	2	-	-	-	-		•Nut plate	•Plaque filetee		4								
		-	-	-	-	-													
10	675557	1	-	-	-	-	NS	C-pillar, l.h.	Pied custode, g	-1980.									
	1304558-8	1	-	-	-	-		C-pillar, l.h.	Pied custode, g	1981-	4								
		1	-	-	-	-	NS	C-pillar, r.h.	Pied custode, d	-1980.									
	1304559-6	1	-	-	-	-		C-pillar, r.h.	Pied custode, d	1981-	4								
11	680214	1	-	-	-	-	OP	Cant rail, l.h. inner	Brancard toit, g interne		4								
	680215-1	1	-	-	-	-		Cant rail, r.h. inner	Brancard toit, d interne		4								
12	679718-7	2	-	-	-	-		Reinforcement	Renfort		4								
13	675972-4	1	-	-	-	-		Cant rail, l.h. inner	Brancard toit, g interne		4								
	675973-2	1	-	-	-	-		Cant rail, r.h. inner	Brancard toit, d interne		4								
14	682379-3	1	-	-	-	-		Tie plate, l.h.	Tole jointure, g		4								
	682380-1	1	-	-	-	-		Tie plate, r.h.	Tole jointure, d		4								
15	1211935-0	1	-	-	-	-		Reinforcement, l.h.	Renfort, g		3								
	1211936-8	1	-	-	-	-		Reinforcement, r.h.	Renfort, d		3								
16	678026	2	-	-	-	-	OP	Bracket	Console		4								
								Gas spring	Ressort gaz										
17		2	-	-	-	-	NS	•Spring pin	•Goupille tubulaire										
18	685634-8	2	-	-	-	-		Nut plate	Plaque filetee		5								
								Seat belt	Ceinture segur										
19	1254134-8	2	-	-	-	-		Nut plate	Plaque filetee		4								
								Hinge	Charniere										
20	1255392-1	1	-	-	-	-		Wheel housing, l.h. inner	Passage roue, g interne		5								
	1255393-9	1	-	-	-	-		Wheel housing, r.h. inner	Passage roue, d interne		5								
21	675257-0	1	-	-	-	-		•Tie plate, l.h.	•Tole jointure, g		5								
	675258-8	1	-	-	-	-		•Tie plate, r.h.	•Tole jointure, d		5								
22	1202913-8	1	-	-	-	-		End plate, l.h.	Plaque extremite, g		3								
	1202914-6	1	-	-	-	-		End plate, r.h.	Plaque extremite, d		3								
23	675445-1	4	-	-	-	-		Partition wall	Paroi intermediaire		4								
24	1203469-0	1	-	-	-	-		Drip moulding, l.h.	Gouttiere, g		4								
	1203470-8	1	-	-	-	-		Drip moulding, r.h.	Gouttiere, d		4								
25	1202928-6	1	-	-	-	-		Edge protection, l.h.	Protege-arete, g	1) (D)	2								
	1202929-4	1	-	-	-	-		Edge protection, r.h.	Protege-arete, dr.	1) (D)	2								
26	1315966-0	1	-	-	-	-		Rear mudguard, l.h.	Aile ar, g	(1246160)	2								
	1315967-8	1	-	-	-	-		Rear mudguard, r.h.	Aile ar, d	(1246161)	2								
27	1254166-0	1	-	-	-	-		•Mudguard repair part, l.h.	•Section d'aile, g		2								
	1254167-8	1	-	-	-	-		•Mudguard repair part, r.h.	•Section d'aile, dr.		2								
28	1213978-8	1	-	-	-	-		Strap attachment	Fixe-courroie		4								
29	1315611-2	1	-	-	-	-		Spare wheel well, l.h. outer ...	Panier roue secours, g externe	(1246189)	4								
	1315612-0	1	-	-	-	-		Spare wheel well, r.h. outer ...	Panier roue secours, d externe	(1246190)	4								
30	1246162-0	1	-	-	-	-		Tie plate, l.h.	Tole jointure, g		2								

1) Not included in complete body. / Ne fait pas partie de la carrosserie complete.



VOLVO PARTS
 1080 34068
 (107:6)