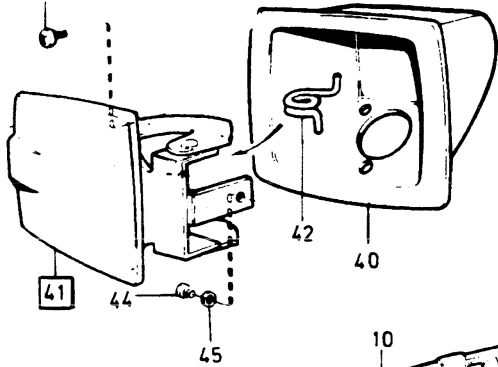


43



46



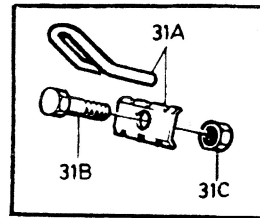
41

44

45

40

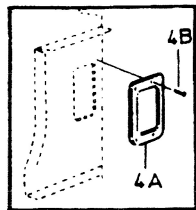
42



31A

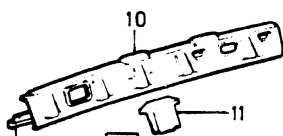
31B

31C



4B

4A

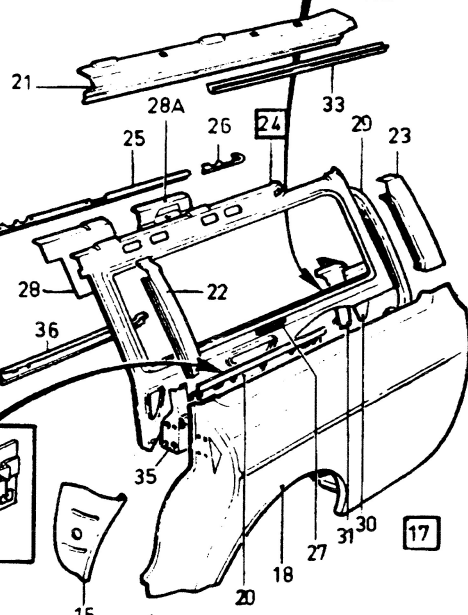


10

11

12

1



21

25

26

24

33

29

23

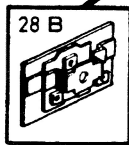
13

32

37

16

8



28B

15

35

20

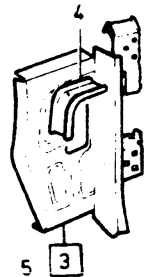
18

27

31

30

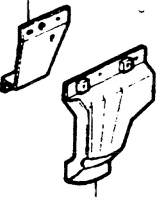
17



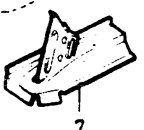
4

5

3



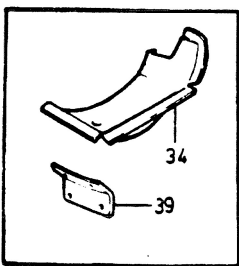
6



7

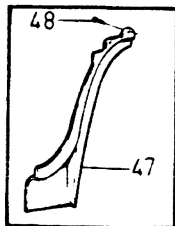


19



34

39



48

47

**VOLVO**  
Genuine Parts  
PV 811 44818

A							BODY FRAME		OSSATURE CARROSSERIE		Group		
	B							BODY SIDE		FLANC CAISSE		Groupe	
		C									81		
			D									Page	
				E							5 DRS		Page
Fig	Part No. No de réf.	Quantity / Nombre					P S	Description	Designation	Notes Remarques	S R		
		A	B	C	D	E							
1		1	-	-	-	-	NS	Body side, l.h. ....	Flanc caisse, g .....				
		1	-	-	-	-	NS	Body side, r.h. ....	Flanc caisse, d .....				
		-	-	-	-	-		•SEE 81-1291 .....	•SEE 81-1291 .....				
☆ 2	3540452-4	1	-	-	-	-		Windscreen pillar, l.h. ....	Montant pare-brise, g .....	(1202766)	4		
☆ 3	3540453-2	1	-	-	-	-		Windscreen pillar, r.h. ....	Montant pare-brise, d .....	(1202767)	4		
☆ 3	1382335-6	1	-	-	-	-		Cowl side, l.h. inner .....	Joue auvent, g interne .....	(1304132)(1255220)	5		
☆ 4	3540015-9	1	-	-	-	-		Cowl side, r.h. inner .....	Joue auvent, d interne .....	(1304133)(1255221)	5		
	675452-7	1	-	-	-	-		•Run-off plate, l.h. ....	•Plaque drainage, g .....		4		
	675453-5	1	-	-	-	-		•Run-off plate, r.h. ....	•Plaque drainage, d .....		4		
4a	1211668-7	1	-	-	-	-		Cover plate .....	Tole recouvrement .....	CALIFORNIA, (J)	5		
4b	969278-1	7	-	-	-	-		Six point socket screw .....	Vis .....	(955138) CALIFORNIA,(J)	2		
5	1201758-8	1	-	-	-	-		Tie plate, l.h. inner .....	Tole jointure, g interne .....		5		
	1201759-6	1	-	-	-	-		Tie plate, r.h. inner .....	Tole jointure, d interne .....		5		
6	1382317-4	1	-	-	-	-		Tie plate, l.h. outer .....	Tole jointure, g externe .....	(1201766)	5		
	1382318-2	1	-	-	-	-		Tie plate, r.h. outer .....	Tole jointure, d externe .....	(1201767)	5		
7	676159-7	1	-	-	-	-		Cover plate, l.h. ....	Tole recouvrement, g .....		5		
	676160-5	1	-	-	-	-		Cover plate, r.h. ....	Tole recouvrement, d .....		5		
8	1247853-3	1	-	-	-	-		B-pillar, l.h. outer .....	Pied milieu, g externe .....		3		
	1247854-1	1	-	-	-	-		B-pillar, r.h. outer .....	Pied milieu, d externe .....		3		
9	1254055-5	2	-	-	-	-		•Nut plate .....	•Plaque filetee .....		4		
10	680214	1	-	-	-	-	OP	Cant rail, l.h. inner .....	Brancard toit, g interne .....		4		
	680215-1	1	-	-	-	-		Cant rail, r.h. inner .....	Brancard toit, d interne .....		4		
11	679718-7	2	-	-	-	-		Reinforcement .....	Renfort .....		4		
12	676076	1	-	-	-	-	OP	Headlining retainer, l.h. ....	Fixe-garniture toit, g .....		4		
	676077	1	-	-	-	-	OP	Headlining retainer, r.h. ....	Fixe-garniture toit, d .....		4		
13	1255394-7	1	-	-	-	-		Wheel housing, l.h. inner .....	Passage roue, g interne .....		5		
	1255395-4	1	-	-	-	-		Wheel housing, r.h. inner .....	Passage roue, d interne .....		5		
14	675257-0	1	-	-	-	-		•Tie plate, l.h. ....	•Tole jointure, g .....		5		
	675258-8	1	-	-	-	-		•Tie plate, r.h. ....	•Tole jointure, d .....		5		
15	1202913-8	1	-	-	-	-		End plate, l.h. ....	Plaque extremite, g .....		3		
	1202914-6	1	-	-	-	-		End plate, r.h. ....	Plaque extremite, d .....		3		
16	675445-1	4	-	-	-	-		Partition wall .....	Paroi intermediaire .....		4		
17		1	-	-	-	-	NS	Rear section, l.h. complete .....	Partie ar, g complet .....				
		1	-	-	-	-	NS	Rear section, r.h. complete .....	Partie ar, d complet .....				
18	1254168-6	1	-	-	-	-		•Rear mudguard, l.h. ....	•Aile ar, g .....	-1980	4		
	(1382224)	1	-	-	-	-	SP	•Rear mudguard, l.h. ....	•Aile ar, g .....	(1246375) 1981- REPL 1PCS 9152004-9, 1PCS 1255652-8.	2		
	1254169-4	1	-	-	-	-		•Rear mudguard, r.h. ....	•Aile ar, d .....	-1980	4		
	(1382225)	1	-	-	-	-	SP	•Rear mudguard, r.h. ....	•Aile ar, d .....	1981- (1315806) REPL 1PCS 9152005-6, 1PCS 1255653-6.	2		
19	1254166-0	1	-	-	-	-		••Mudguard repair part, l.h. ...	••Section d'aile, g. ....		2		
	1254167-8	1	-	-	-	-		••Mudguard repair part, r.h. ...	••Section d'aile, dr. ....		2		
20	678763-4	2	-	-	-	-		•Reinforcement .....	•Renfort .....		4		
21	1315803-5	1	-	-	-	-		•Cant rail, l.h. ....	•Brancard toit, g .....	(679118)	4		
	1315804-3	1	-	-	-	-		•Cant rail, r.h. ....	•Brancard toit, d .....	(679119)	4		
22	1315807-6	1	-	-	-	-		•C-pillar, l.h. ....	•Pied custode, g .....	(1207540)	3		
	1315808-4	1	-	-	-	-		•C-pillar, r.h. ....	•Pied custode, d .....	(1207541)	3		
23	1315809-2	1	-	-	-	-		•D-pillar, l.h. ....	•Panneau custode, g .....	(675171)	4		
	1315810-0	1	-	-	-	-		•D-pillar, r.h. ....	•Panneau custode, d .....	(675172)	4		
24	1315697-1	1	-	-	-	-		Rear section, l.h. inner .....	Partie ar, g interne .....	(1202588)	4		
	1315698-9	1	-	-	-	-		Rear section, r.h. inner .....	Partie ar, d interne .....	(1202590)	4		
25	1315618-7	1	-	-	-	-		•Headlining retainer, l.h. ....	•Fixe-garniture toit, g .....	(677466)	4		
	1315619-5	1	-	-	-	-		•Headlining retainer, r.h. ....	•Fixe-garniture toit, d .....	(677467)	4		
26	678777	1	-	-	-	-	OP	•Headlining retainer, l.h. ....	•Fixe-garniture toit, g .....		4		
	678778-2	1	-	-	-	-		•Headlining retainer, r.h. ....	•Fixe-garniture toit, d .....		4		
27	685765-0	1	-	-	-	-		•Reinforcement, l.h. ....	•Renfort, g .....		3		
	685766-8	1	-	-	-	-		•Reinforcement, r.h. ....	•Renfort, d .....		3		
28	1211902-0	1	-	-	-	-		•Reinforcement, l.h. ....	•Renfort, g .....		5		
	1211903-8	1	-	-	-	-		•Reinforcement, r.h. ....	•Renfort, d .....		5		
28a	683576-3	2	-	-	-	-		•Nut plate .....	•Plaque filetee .....		4		

		BODY FRAME BODY SIDE					OSSATURE CARROSSERIE FLANC CAISSE		Group Groupe <b>81</b>		
							5DRS		Page Page <b>1285</b>		
Fig	Part No. No de réf.	Quantity / Nombre					P S	Description	Designation	Notes Remarques	S R
		A	B	C	D	E					
28b	1207850-7	2	-	-	-	-		• Nut plate .....	• Plaque filetee .....		4
29	1315910-8	1	-	-	-	-		D-pillar, l.h. inner .....	Panneau custode, g interne ....	(1202578)	4
	1315911-6	1	-	-	-	-		D-pillar, r.h. inner .....	Panneau custode, d interne ....	(1202579)	4
30	1202575-5	1	-	-	-	-		Reinforcing plate, l.h. outer ....	Tole renfort, g externe .....		4
	1202576-3	1	-	-	-	-		Reinforcing plate, r.h. outer ....	Tole renfort, d externe .....		4
31	1382459-4	1	-	-	-	-		Reinforcing plate, l.h. inner ....	Tole renfort, g interne .....	(1255222)	5
	1315877-9	1	-	-	-	-		Reinforcing plate, r.h. inner ....	Tole renfort, d interne .....	(1304366)	4
31a	1264921-6	4	-	-	-	-		Anchorage .....	Fixation .....		4
31b	944926-5	2	-	-	-	-		Flange screw .....	Vis a bride .....		2
31c	945408-3	2	-	-	-	-		Flange nut .....	Ecrou accouplement .....		2
32	1203471-6	1	-	-	-	-		Drip moulding, l.h. ....	Gouttiere, g .....		4
	1203472-4	1	-	-	-	-		Drip moulding, r.h. ....	Gouttiere, d .....		4
33	1211162-1	1	-	-	-	-		Drip moulding, l.h. ....	Gouttiere, g .....		4
	1211163-9	1	-	-	-	-		Drip moulding, r.h. ....	Gouttiere, d .....		4
34	1315611-2	1	-	-	-	-		Spare-wheel well, l.h. ....	Panier roue secours, g .....	(1246189)	4
	1315612-0	1	-	-	-	-		Spare wheel well, r.h. ....	Panier roue secours, d .....	(1246190)	4
35	1254135-5	1	-	-	-	-		Nut plate, l.h. ....	Plaque filetee, g .....		4
	1254136-3	1	-	-	-	-		Nut plate, r.h. ....	Plaque filetee, d .....		4
36	1203188-6	1	-	-	-	-		Bracket .....	Console .....		4
37	1255424-2	1	-	-	-	-		Bracket, l.h. ....	Console, g .....		4
	1255425-9	1	-	-	-	-		Bracket, r.h. ....	Console, d .....		4
38	678838-4	1	-	-	-	-		Tie plate, l.h. ....	Tole jointure, g .....		5
	678839-2	1	-	-	-	-		Tie plate, r.h. ....	Tole jointure, d .....		5
39	675936-9	2	-	-	-	-		Bracket .....	Console .....		5
40	1254459-9	1	-	-	-	-		Filler housing .....	Carter remplissage .....		4
41	1315484-4	1	-	-	-	-		Lid .....	Porte .....	(1255045)	3
42	1203473-2	2	-	-	-	-		• Spring .....	• Ressort .....		2
43	946832-3	2	-	-	-	-		Screw .....	Vis .....		2
44	972079-8	1	-	-	-	-		Six point socket screw .....	Vis .....	(965395)	2
45			-	-	-	-	NS	• Washer .....	• Rondelle .....		
46	1316583-2	2	-	-	-	-		Plug .....	Tampon .....		2
47	679356-6	1	-	-	-	-		Retainer, l.h. ....	Retenue, g .....		4
	679357-4	1	-	-	-	-		Retainer, r.h. ....	Retenue, d .....		4
48	969473-8	4	-	-	-	-		Six point socket screw .....	Vis .....	(955137)	4