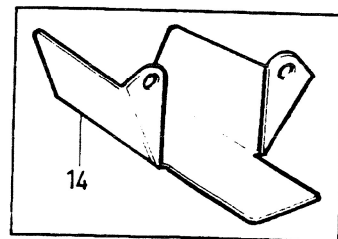
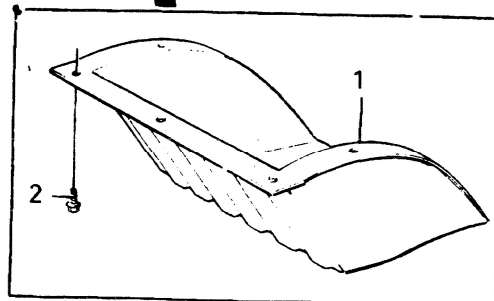
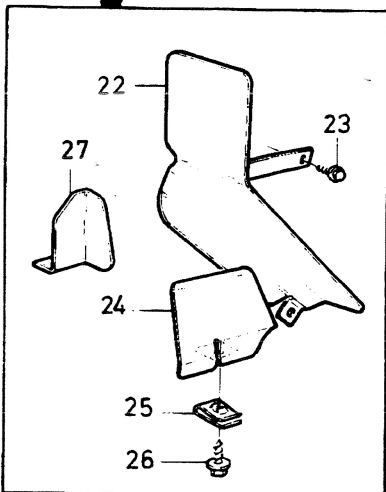
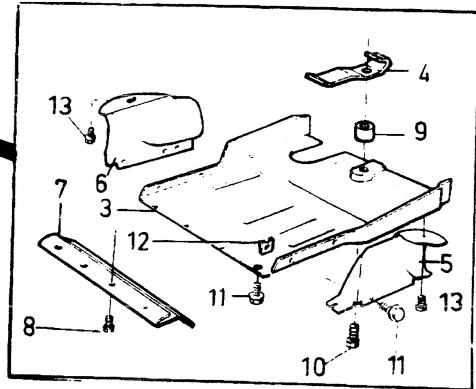
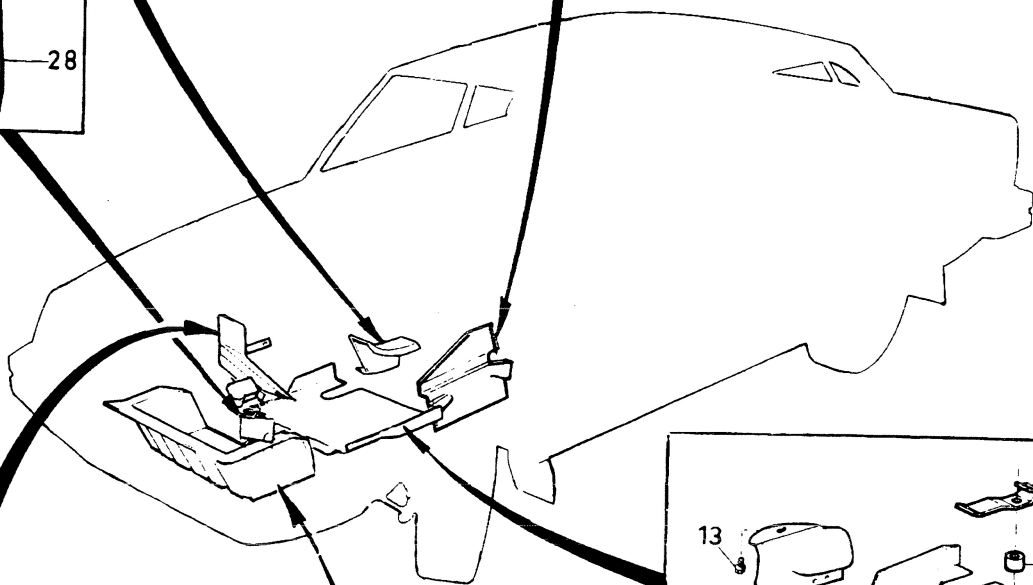
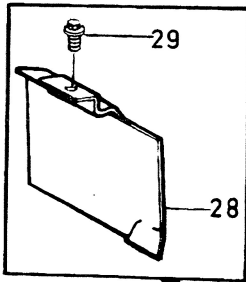
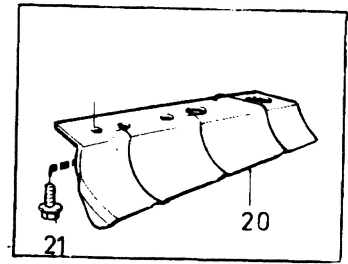
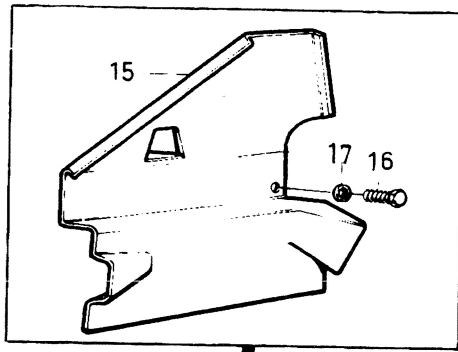
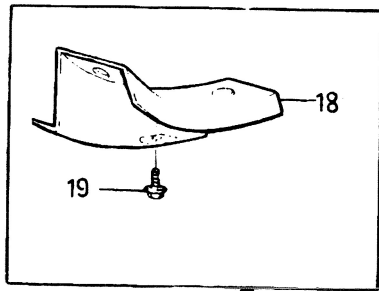


VOLVO
Genuine Parts
PV 860 65485

A							COVER PLATES, AIR GUIDES, MUDFLAPS PLAQUES RECOUVREMENT, AUVENTS ET BAVETTE ANTI-PROJECTION			Group			
	B										86		
		C										Page	
			D										1695
				E									
Fig	Part No. No de réf.	Quantity / Nombre					P S	Description	Designation	Notes Remarques	S R		
		A	B	C	D	E							
☆ 1	1202299-2	1	-	-	-	-		Cover plate	Tole recouvrement	1) B19A, B21A	4		
2	972259-6	2	-	-	-	-		Screw	Vis	(190071)	2		
3	946214-4	2	-	-	-	-		Spring nut	Ecrou ressort		2		
4	1234217-6	1	-	-	-	-		Cover plate	Plaque recouvrement	240 COMBU. 240 A.C.	2		
5	1264991-9	2	-	-	-	-		Nut	Ecrou	(1203069)	3		
6	1202941-9	1	-	-	-	-		Air guide	Guide air	ALTER -1979.	3		
	1202941-9	1	-	-	-	-		Air guide	Guide air	2) ALTER 1980.	3		
	1304622-2	1	-	-	-	-		Air guide	Guide air	2) ALTER 1981-, EXC (USA/CDN).	3		
	1304622-2	1	-	-	-	-		Air guide	Guide air	2) (USA) 1983-	3		
	1202941-9	1	-	-	-	-		Air guide	Guide air	2) ALTER. (CDN) 1981-, (USA) 1981-1982	3		
	1246767-6	1	-	-	-	-		Air guide	Guide air	3) 1980.	3		
	3540872-3	1	-	-	-	-		Air guide	Guide air	3) (3540172)	3		
	3540872-3	1	-	-	-	-		Air guide	Guide air	1981- EXC (USA/CDN)	3		
	1246767-6	1	-	-	-	-		Air guide	Guide air	3) (3540172)	3		
	1246767-6	1	-	-	-	-		Air guide	Guide air	(USA) 1983-	3		
	1246767-6	1	-	-	-	-		Air guide	Guide air	3) (CDN) 1981-, (USA) 1981-1982	3		
7	947243-2	2	-	-	-	-		Screw	Vis		2		
8	1202398-2	1	-	-	-	-		Shield	Tole-ecran	B21A (CDN). B21F. B27, B28.	4		
8a	1312281-7	1	-	-	-	-		Attaching rail	Barre fixation	(USA) 1983-	3		
8b	1312282-5	4	-	-	-	-		Clip	Clip	(USA) 1983-	3		
9	946471-0	1	-	-	-	-		Flange screw	Vis a bride		2		
10	1254810-3	2	-	-	-	-		Mudflap	Pare-boue		1		
11		-	-	-	-	-		Stay	Tirant	SEE 82-1295			
12	946215-1	4	-	-	-	-		Screw	Vis		2		
13	960140-2	4	-	-	-	-		Washer	Rondelle		2		
14	1203270-2	1	-	-	-	-		Mudflap, l.h.	Pare-boue, g	(1255361)	1		
	1248837-5	1	-	-	-	-		Mudflap, l.h.	Pare-boue, g	4) ALTER 242GT, 262C L.H.D.	1		
	1203271-0	1	-	-	-	-		Mudflap, r.h.	Pare-boue, d	(1255362)	1		
	1248838-3	1	-	-	-	-		Mudflap, r.h.	Pare-boue, d	4) ALTER 242GT, 262C L.H.D	1		
15	946934-7	4	-	-	-	-		Flange screw	Vis a bride	(947612)	2		
15a	960139-4	4	-	-	-	-		Washer	Rondelle		2		
16	955781-0	4	-	-	-	-		Nut	Ecrou		2		
17		-	-	-	-	-		Bracket	Console	242			
		-	-	-	-	-		Bracket	Console	SEE 81-1273 262			
		-	-	-	-	-		Bracket	Console	SEE 81-1277 244, 264			
		-	-	-	-	-		Bracket	Console	SEE 81-1281 245, 265			
		-	-	-	-	-		Bracket	Console	SEE 81-1285			

- 1) Only early versions of car. / Uniquement véhicules de versions antérieurs.
- 2) Cars without spoiler. / véhicules sans spoiler
- 3) Cars with spoiler. / véhicules avec spoiler
- 4) Flat spare wheel well. / Puits de roue de secours plan.



VOLVO PARTS
1080 31089
108:2

A	B	C	D	E	P	S	Description	Designation	Notes	S	R	
Fig	Part No. No de réf.	Quantity / Nombre					S	Description	Designation	Remarques	S	R
		A	B	C	D	E						
								GUARD PLATES, HEAT SHIELDS	ECRANS DE PROTECTION, AILES		Group Groupe	
											86	
											Page Page	
											1697	
1	1382407-3	1	-	-	-	-		Protecting plate	Tole protection	(1254390)	4	
2	949113-5	8	-	-	-	-		Screw	Vis		2	
3	1304860-8	1	-	-	-	-		Protecting plate	Tole protection	B21A (CH) B23E (CH) (1247719)	4	
	1304862-4	1	-	-	-	-		Protecting plate	Tole protection	D24 (CH)(S) B21ET (S) (1304593)	4	
4	1246838	1	-	-	-	-	OP	Bracket	Console	B21A, B23E (CH)	4	
	1304521	1	-	-	-	-	OP	Bracket	Console	-1980 (CH)D24 MAN.TRANS	3	
	1304521	1	-	-	-	-	OP	Bracket	Console	1981- B21ET (S)	3	
	1304690	1	-	-	-	-	NS	Member Bracket	Poutre Console	D24 (S)(CH) -1980 D24 AUTO.TRANS (CH)	4	
5	1304863-2	1	-	-	-	-		Protecting plate, l.h.	Tole protection, g	B21A, B23E (CH) B21ET (S) D24 (S)(CH) (1247846)	4	
6	1304864-0	1	-	-	-	-		Protecting plate, r.h.	Tole protection, d	B21A, B23E (CH) B21ET (S) D24 (S)(CH) (1247847)	4	
7	1304865-7	1	-	-	-	-		Rail	Rail	1981-	4	
8	945970-2	4	-	-	-	-		Screw	Vis		2	
9	669871-6	1	-	-	-	-		Spacer sleeve	Douille entretoise		3	
10	945970-2	1	-	-	-	-		Screw	Vis	ALTER 14x13	2	
	946215-1	1	-	-	-	-		Screw	Vis	ALTER 14x25	2	
11	945970-2	10	-	-	-	-		Screw	Vis	-1980	2	
	945970-2	2	-	-	-	-		Screw	Vis	1981-	2	
12	1255989-4	4	-	-	-	-		Spring nut	Ecrou ressort	-1980	2	
13	945970-2	3	-	-	-	-		Screw	Vis	-1980	2	
	945970-2	4	-	-	-	-		Screw	Vis	1981-	2	
14	1229566-3	1	-	-	-	-		Protecting plate slave cylinder	Tole protection cylindre de commande	B27F M45, M46	4	
								Clutch Heat shield	Embrayage Pare-chaleur	B28F BW55 (1233340)	4	
15	1233382-9	1	-	-	-	-		Screw	Vis		2	
16	955268-8	1	-	-	-	-		Lock washer	Rondelle verrouillage		2	
17	955948-5	1	-	-	-	-		Shield	Tole-ecran	(USA)(CDN)(J)	4	
18	1255202-2	1	-	-	-	-		Bearing Six point socket screw	Palier Vis	10x9,5(955137) 10X16	2	
19	969473-8	2	-	-	-	-		Screw	Vis		2	
	947248-1	1	-	-	-	-		Screw	Vis		2	
20	1247910	1	-	-	-	-	OP	Shield	Tole-ecran	B21F AW55. B21F BW55.	4	
								Drive shaft Combined instrument Shield	Essieu moteur Combine instruments Tole-ecran	B21A BW55 (CDN). B21A BW55 (AUS). B21F M45.	4	
	1247964-8	1	-	-	-	-		Drive shaft Combined instrument Shield	Essieu moteur Combine instruments Tole-ecran	B21A M45 (CDN). B21A M45 (AUS).	4	
21	946471-0	2	-	-	-	-		Flange screw	Vis a bride		2	
22	1304869-9	1	-	-	-	-		Heat shield upper	Pare-chaleur supérieur	B28, B21FT (1304316)	4	
23	969473-8	1	-	-	-	-		Six point socket screw	Vis	(946451) 10 x 9.5	2	
	965354-4	1	-	-	-	-		Screw	Vis	10x13	2	
24	1273398-6	1	-	-	-	-		Heat shield lower	Pare-chaleur inférieure	B28F, B21FT (1304237)	4	
25	1255989-4	1	-	-	-	-		Spring nut	Ecrou ressort		2	
26	946485-0	1	-	-	-	-		Screw	Vis		2	
27	1304239-5	1	-	-	-	-		Heat shield	Pare-chaleur	B28F (J)	4	
								Brake pipe Protecting plate	Conduit frein Tole protection	1981- B17,B19,B21,B23	3	