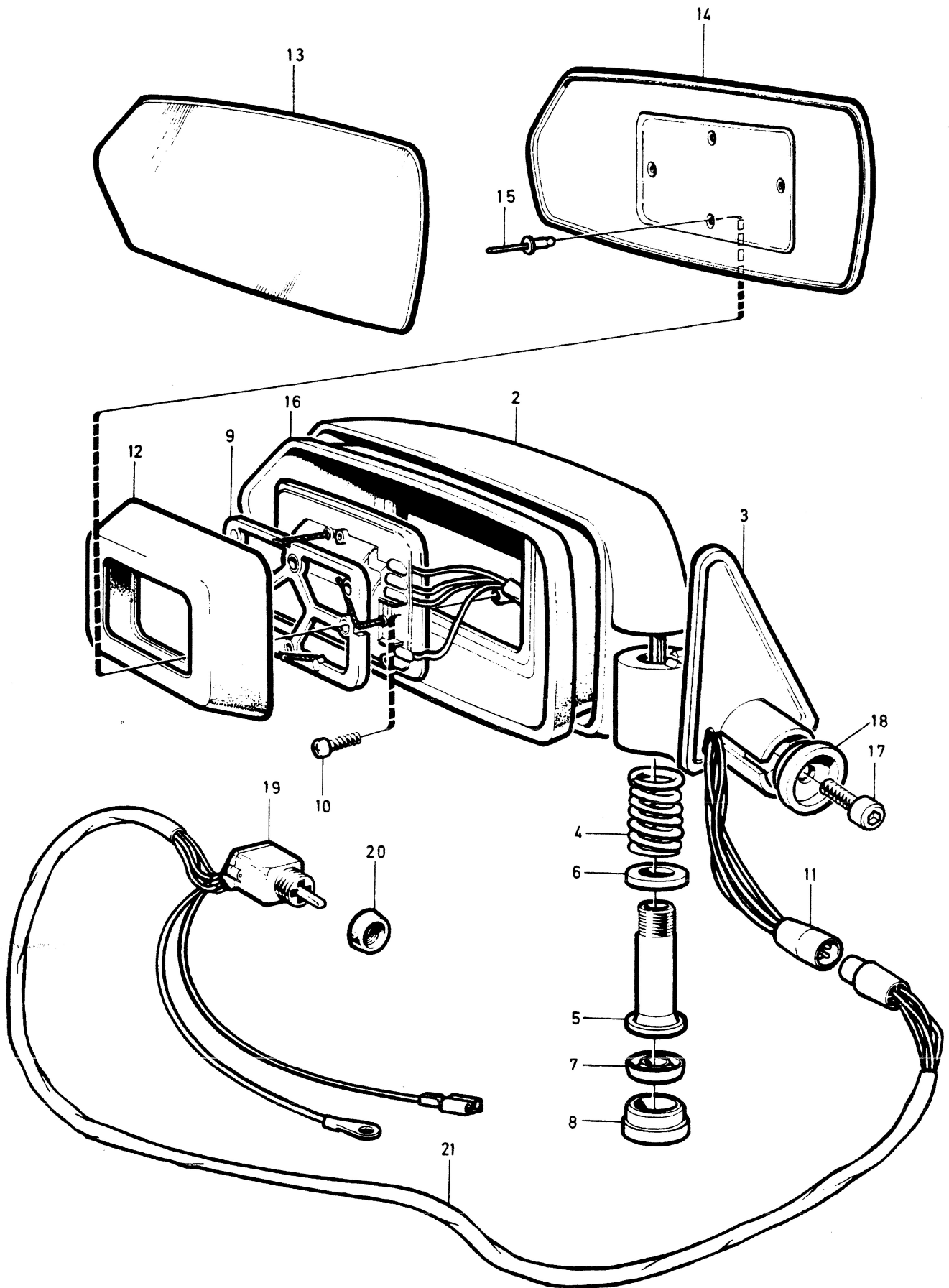


1



VOLVO PARTS
1 080 20710
(1084)

A	B	C	D	E	DOOR MIRRORS ELECTRICALLY OPERATED		RETROVISEUR EXTERIEUR, ELECTRIQUE		Group		
									84		
										Page	
										1397	
										-1979	
Fig	Part No. No de réf.	Quantity / Nombre					P S	Description	Designation	Notes Remarques	S R
		A	B	C	D	E					
1	1129250-5	1	-	-	-	-		Rear view mirror, l.h. convex glass	Retroviseur, g verre convexe ..	L.H.D, EXC (USA)(CDN)	6
	1129252-1	1	-	-	-	-		Rear view mirror, l.h. convex glass	Retroviseur, g verre convexe ..	(283177) R.H.D. (283179)	6
	1304125-6	1	-	-	-	-		Rear view mirror, l.h. flat glass	Retroviseur, g verre plat	(AUS) (1255500)	2
	1304111-6	1	-	-	-	-		Rear view mirror, l.h. convex glass	Retroviseur, g verre convexe ..	(J) (1255232)	2
	1129254-7	1	-	-	-	-		Rear view mirror, l.h. flat glass	Retroviseur, g verre plat	(USA)(CDN) (283181)	6
	1304117-3	1	-	-	-	-		Rear view mirror, l.h. convex glass	Retroviseur, g verre convexe ..	(1254722)262C.	2
	1304119-9	1	-	-	-	-		Rear view mirror, l.h. flat glass	Retroviseur, g verre plat	EXC (USA)(CDN)(AUS) 262C (USA)(CDN) (1254798)	2
	1304129	1	-	-	-	-	OP	Rear view mirror, l.h. flat glass	Retroviseur, g verre plat	262C (AUS) (1246556)	2
	1129251-3	1	-	-	-	-		Rear view mirror, r.h. convex glass	Retroviseur, d verre convexe ..	L.H.D, EXC (USA)(CDN)	6
	1129253-9	1	-	-	-	-		Rear view mirror, r.h. convex glass	Retroviseur, d verre convexe ..	(283178) R.H.D (283180)	6
	1304126-4	1	-	-	-	-		Rear view mirror, r.h. flat glass	Retroviseur, d verre plat	(AUS) (1255501)	2
	1304112-4	1	-	-	-	-		Rear view mirror, r.h. convex glass	Retroviseur, d verre convexe ..	(J) (1255233)	2
	1129255-4	1	-	-	-	-		Rear view mirror, r.h. flat glass	Retroviseur, d verre plat	(USA), (CDN) (283182)	6
	1304118-1	1	-	-	-	-		Rear view mirror, r.h. convex glass	Retroviseur, d verre convexe ..	262C, EXC (USA)(CDN)	2
	1304120-7	1	-	-	-	-		Rear view mirror, r.h. flat glass	Retroviseur, d verre plat	(AUS). (1254723) 262C (USA)(CDN) (1254799)	2
	1304130	1	-	-	-	-	OP	Rear view mirror, r.h. flat glass	Retroviseur, d verre plat	262C (AUS)	2
2		1	-	-	-	-	NS	• Housing	• Carter		
3	1254634-7	1	-	-	-	-		• Mirror base, l.h.	• Pied miroir, g		3
	1254635-4	1	-	-	-	-		• Mirror base, r.h.	• Pied miroir, d		3
		1	-	-	-	-	NS	• Mirror base	• Pied miroir	262C	
4	1321081-0	1	-	-	-	-		• Compression spring	• Ressort pression	(1254710)	3
5	1254709	1	-	-	-	-	OP	• Sleeve	• Douille		3
6	1321080-2	1	-	-	-	-		• Centering washer	• Rondelle centrage	(1254711)	3
7	1254712	1	-	-	-	-	OP	• Sealing ring	• Bague etancheite		3
8	1254797	1	-	-	-	-	OP	• Plastic plug	• Tampon plastique		3
9	1304131-4	1	-	-	-	-		• Drive unit	• Unite commande	(1254714)	3
10	956060-8	2	-	-	-	-		• Screw	• Vis		2
11	945828-2	1	-	-	-	-		• Pin housing	• Fiche isolante		3
12	1254005-0	1	-	-	-	-		• Rubber bellows	• Soufflet caoutchouc		3
13	1255982-9	1	-	-	-	-		• Mirror glass, l.h. convex glass	• Verre miroir, g verre convexe	(1254677)	2
	1255986-0	1	-	-	-	-		• Mirror glass, l.h. convex glass	• Verre miroir, g verre convexe	(J) (1255234)	2
	1255983-7	1	-	-	-	-		• Mirror glass, r.h. convex glass	• Verre miroir, d verre convexe	(1254715)	2
	1255987-8	1	-	-	-	-		• Mirror glass, r.h. convex glass	• Verre miroir, d verre convexe	(J) (1255238)	2
	1255984-5	1	-	-	-	-		• Mirror glass, l.h. flat glass ...	• Verre miroir, g verre plat	(1254793)	2
	1255985-2	1	-	-	-	-		• Mirror glass, r.h. flat glass ...	• Verre miroir, d verre plat	(1254794)	2
14	1254679-2	1	-	-	-	-		• Mirror disc, l.h.	• Disque miroir, g		3
	1254716-2	1	-	-	-	-		• Mirror disc, r.h.	• Disque miroir, d		3
15		4	-	-	-	-	NS	• Pop rivet	• Rivet pop	3x4.5	
16	1254638-8	1	-	-	-	-		• Protecting casing, l.h.	• Capot protection, g		3
	1254639-6	1	-	-	-	-		• Protecting casing, r.h.	• Capot protection, d		3
17	959219-7	2	-	-	-	-		Hex. socket screw	Vis a six pans creux		2
	955949-3	2	-	-	-	-		Lock washer	Rondelle verrouillage	262C	2
18	1254444-1	2	-	-	-	-		Washer	Rondelle	EXC 262C	3
19	1235091-4	2	-	-	-	-		Switch	Interrupteur		2
20	1235101-1	2	-	-	-	-		Nut	Ecrou		2
21	1247995-2	2	-	-	-	-		Cable harness	Faisceau cables		3