

# Wiring Diagrams 1980

Section 3    Group 39

Wiring Diagrams

1980 Models

# VOLVO

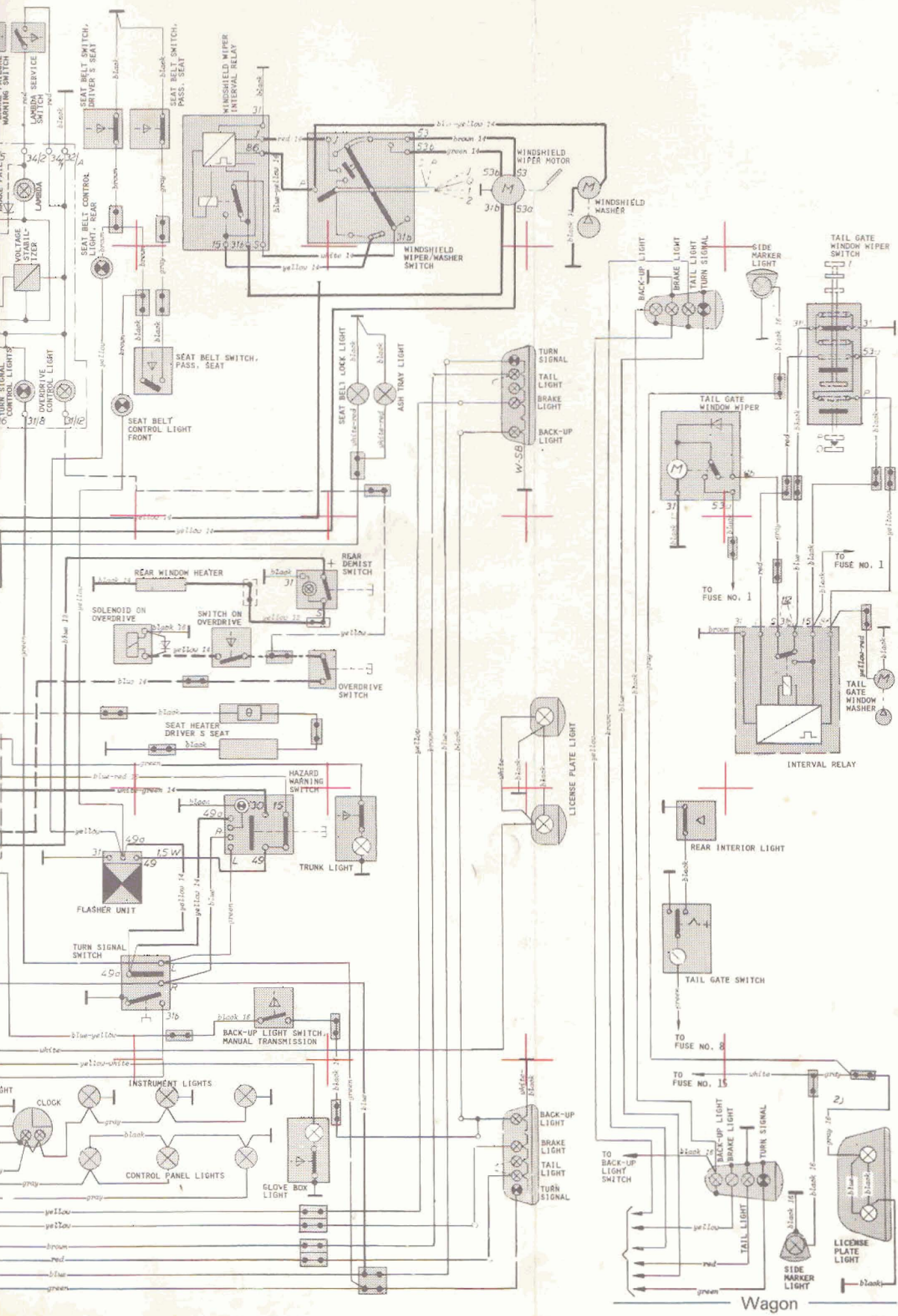
6

7

8

9

10



A

B

C

D

E

6

7

8

9

10

Wagon

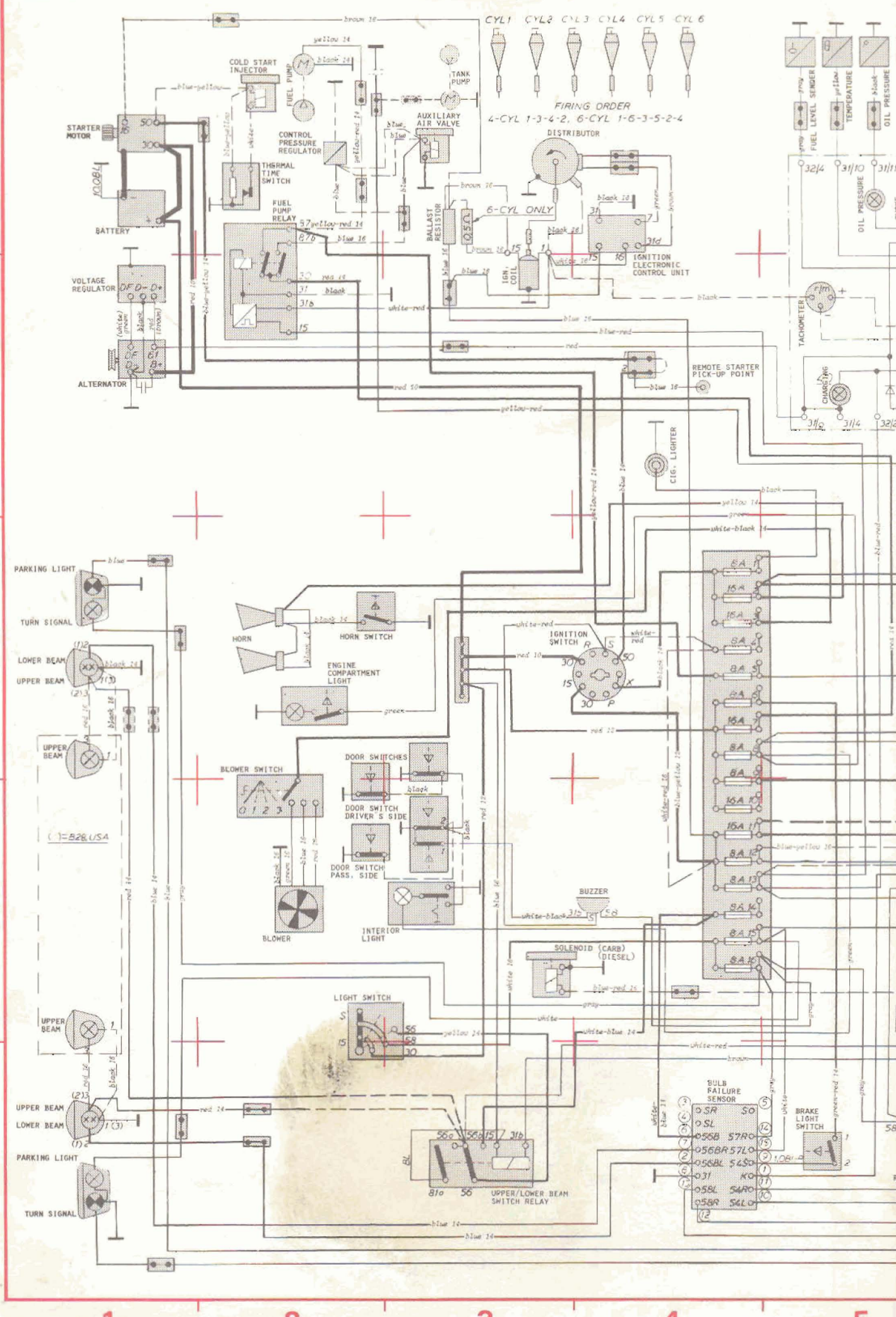
A

B

C

D

E



# Contents

**NOTE:**

Diesel circuitry is generally  $\approx$  GLE

		Page No.
Fuses and related circuits .....	DL, GL, GT .....	2
	GLE, Coupe .....	3
How to use the diagrams .....		4
Alternator circuits (main wiring) .....		6
Starting circuits .....		8
Diesel: starting and glow plug system .....		10
CI fuel injection system .....	4-cyl. ....	12
	6-cyl. ....	14
sensor feedback system (Lambda-sond) .....	4-cyl. ....	16
	6-cyl. ....	18
Ignition system, engine B21A w. breaker points .....		20
breakerless electronic .....	B21F .....	22
breakerless electronic .....	B28F .....	24
<b>Lights</b>		
Headlights .....		26
Parking lights, tail lights, .....	DL, GL, GT .....	28
license plate lights .....	GLE, Coupe .....	30
Parking lights, tail lights, license plate lights, .....	Wagon .....	32
side marker lights		
Brake lights .....	DL, GL, GT .....	34
	GLE, Coupe .....	36
	Wagon .....	38
Back-up lights, manual transmission .....	DL, GL, GT .....	40
	GLE, Coupe .....	42
	Wagon .....	44
automatic transmission .....	DL, GL, GT .....	46
	GLE, Coupe .....	48
	Wagon .....	50
Interior light .....	DL, GL, GT .....	52
	Coupe .....	54
Delayed interior light .....	GLE .....	56
Rear interior light .....	Wagon .....	58
Engine compartment light, trunk light .....		60
Glove box light .....		62
Instrument lights, lights on controls .....		64

TP 30057/1

4.500.02.81

Printed in U.S.A.

## Items associated with instrument panel

Page No.

Instrument cluster .....	66
Clock .....	68
Cigarette lighter .....	70

## Warning systems

Bulb failure warning system .....	72
Brake failure warning system .....	74
Seat belt warning system .....	76
Ignition key and light warning buzzer .....	78

## Signals

Turn signals and hazard warning flashers .....	80
Wagon .....	82
Horn .....	84

## Wiper/washer

Windshield wiper and washer .....	86
operation modes .....	88
Tail gate window wiper and washer .....	90
- With interval relay .....	90
- Without interval relay .....	92

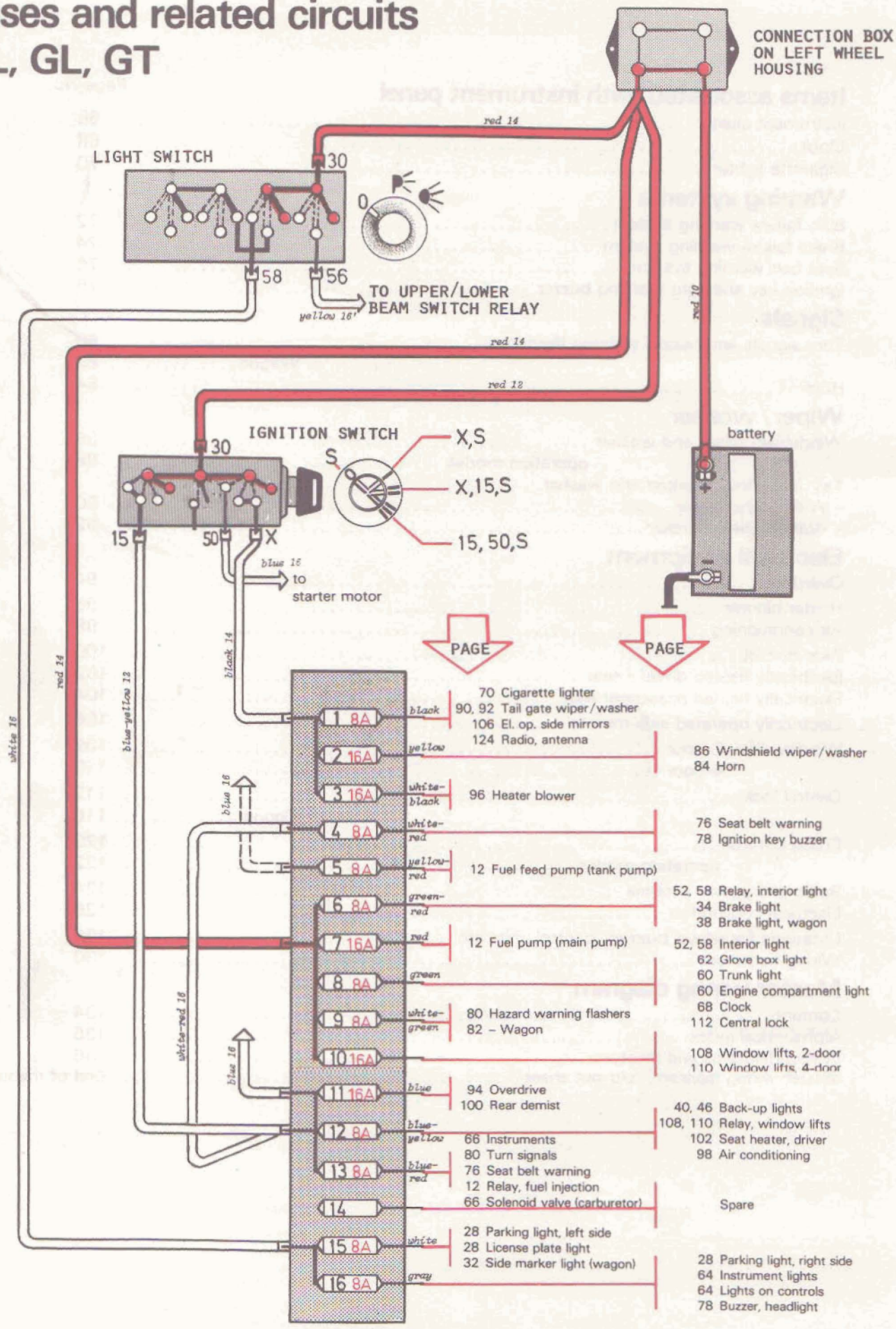
## Electrical equipment

Overdrive .....	94
Heater blower .....	96
Air conditioning .....	98
Rear demist .....	100
Electrically heated driver's seat .....	102
Electrically heated passenger seat .....	104
Electrically operated side mirrors .....	106
Window lifts, 2-door .....	108
4-door .....	110
Central lock .....	112
Coupe .....	116
Cruise control .....	120
operation modes .....	122
Radio and power antenna .....	124
Electrical cooling fan .....	126
Locations for relays, buzzers, control units etc .....	128
Wiring harnesses .....	130

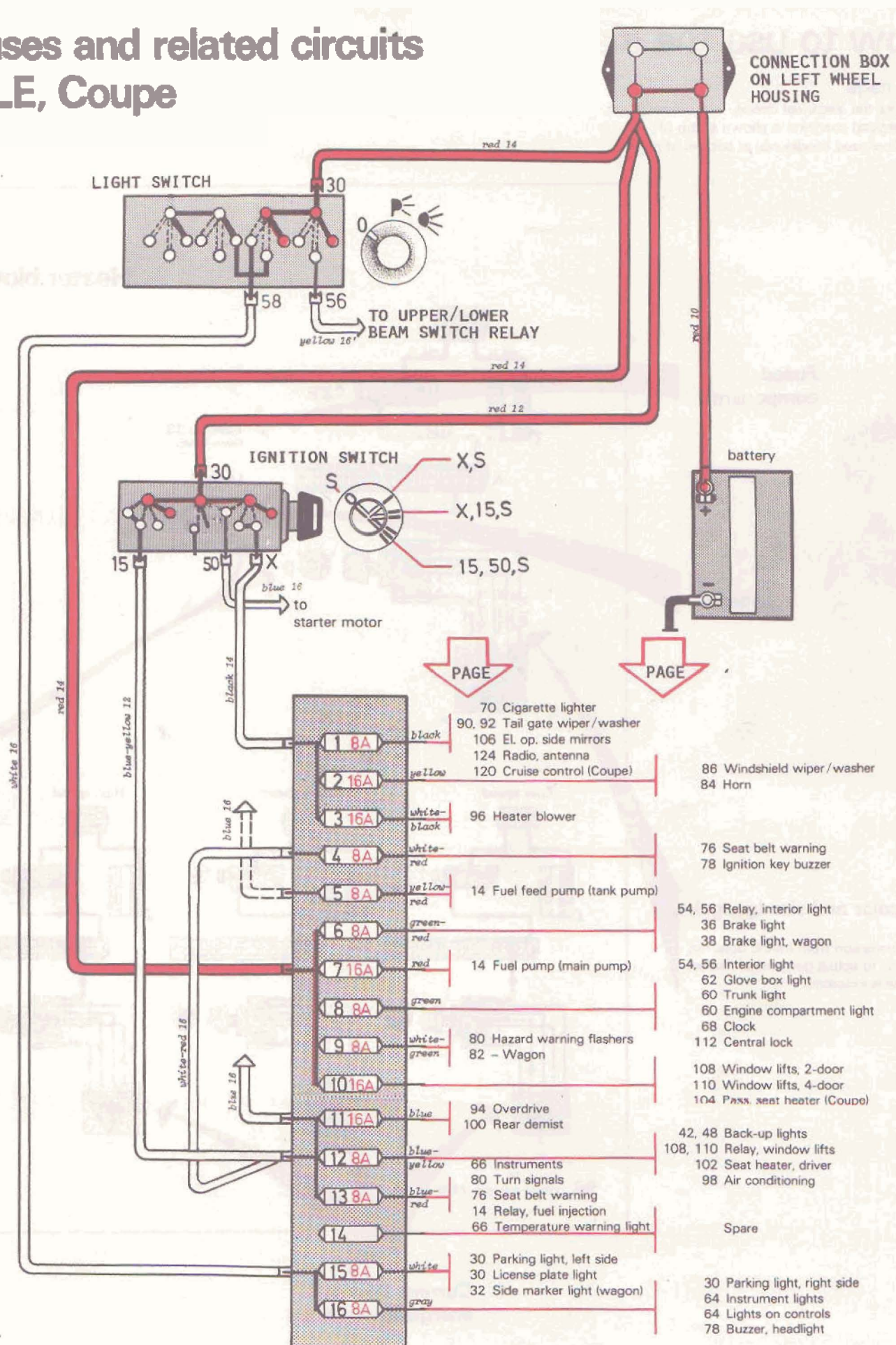
## Master wiring diagram

Contents .....	134
Alphabetical index .....	135
Wiring diagrams and locators .....	136
Master wiring diagram, fold-out sheet .....	End of manual

# Fuses and related circuits DL, GL, GT



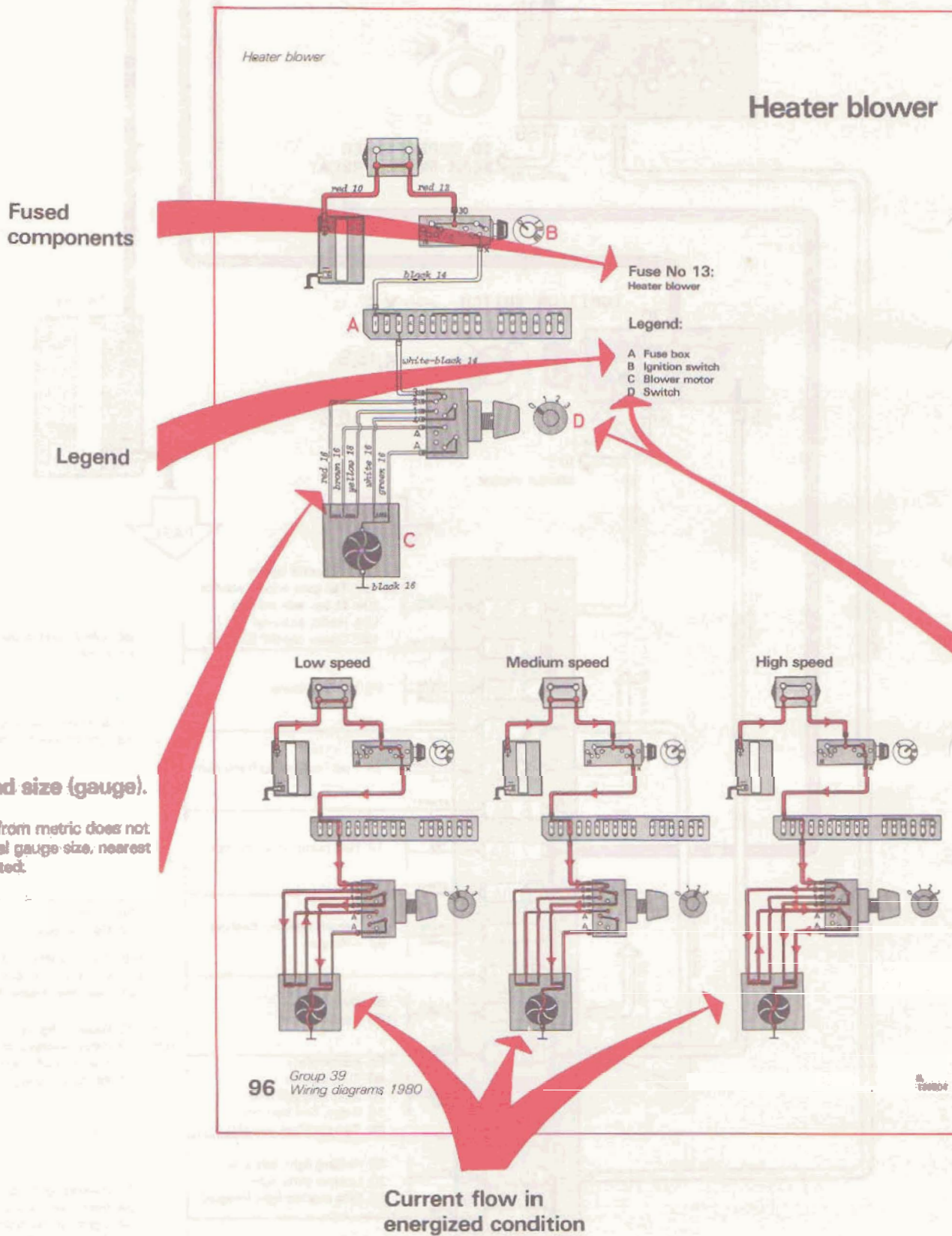
# Fuses and related circuits GLE, Coupe



# How to use the diagrams

## Left page

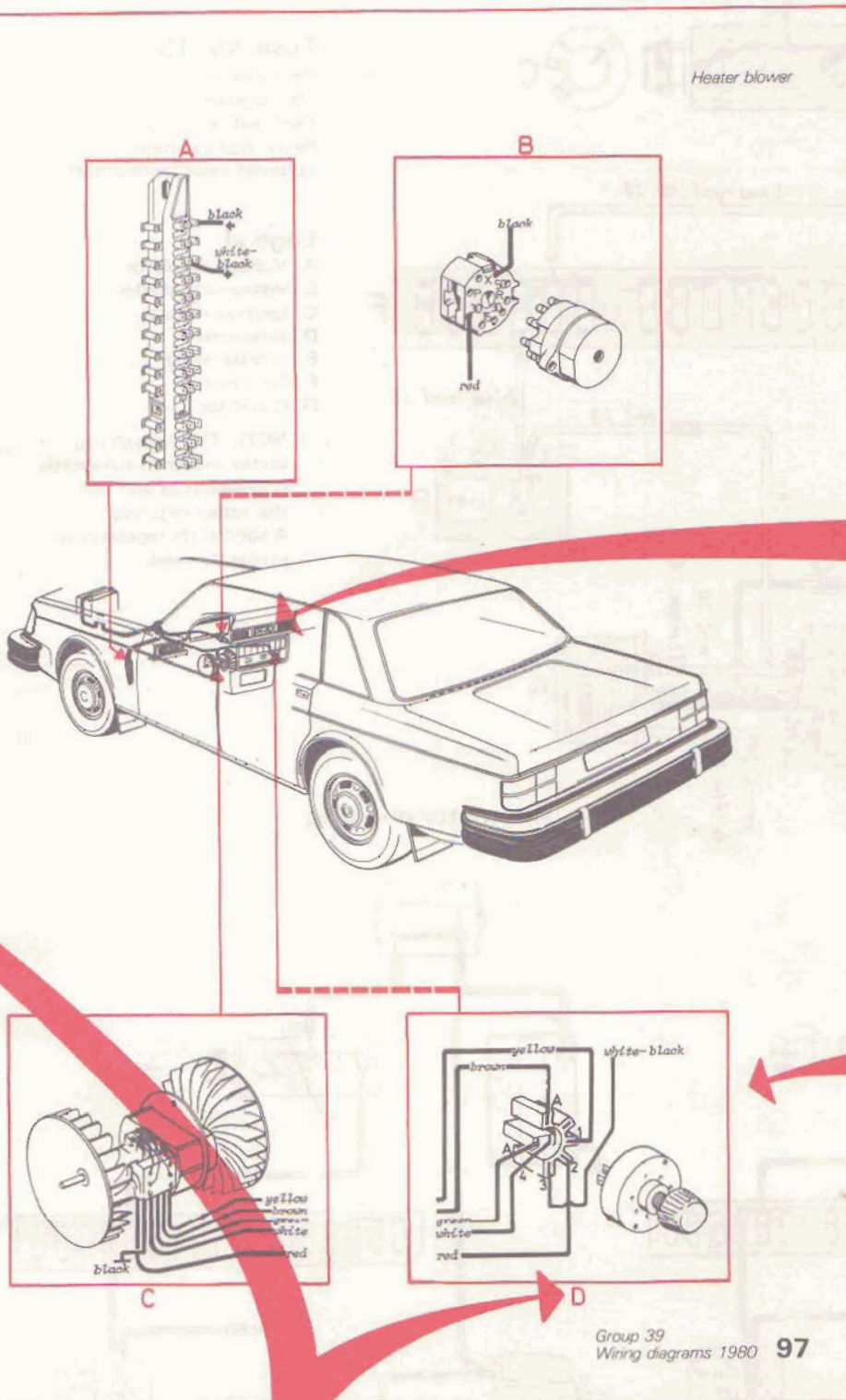
Illustrates the electrical circuit.  
De-energized condition is shown at top of page. Energized condition(s) at bottom of page.



# How to use the diagrams

## Right page

Illustrates the physical location of the components in the vehicle and the exact routing of the wiring harness. Each component is shown with terminals and connections.



Component location and routing of wiring harness

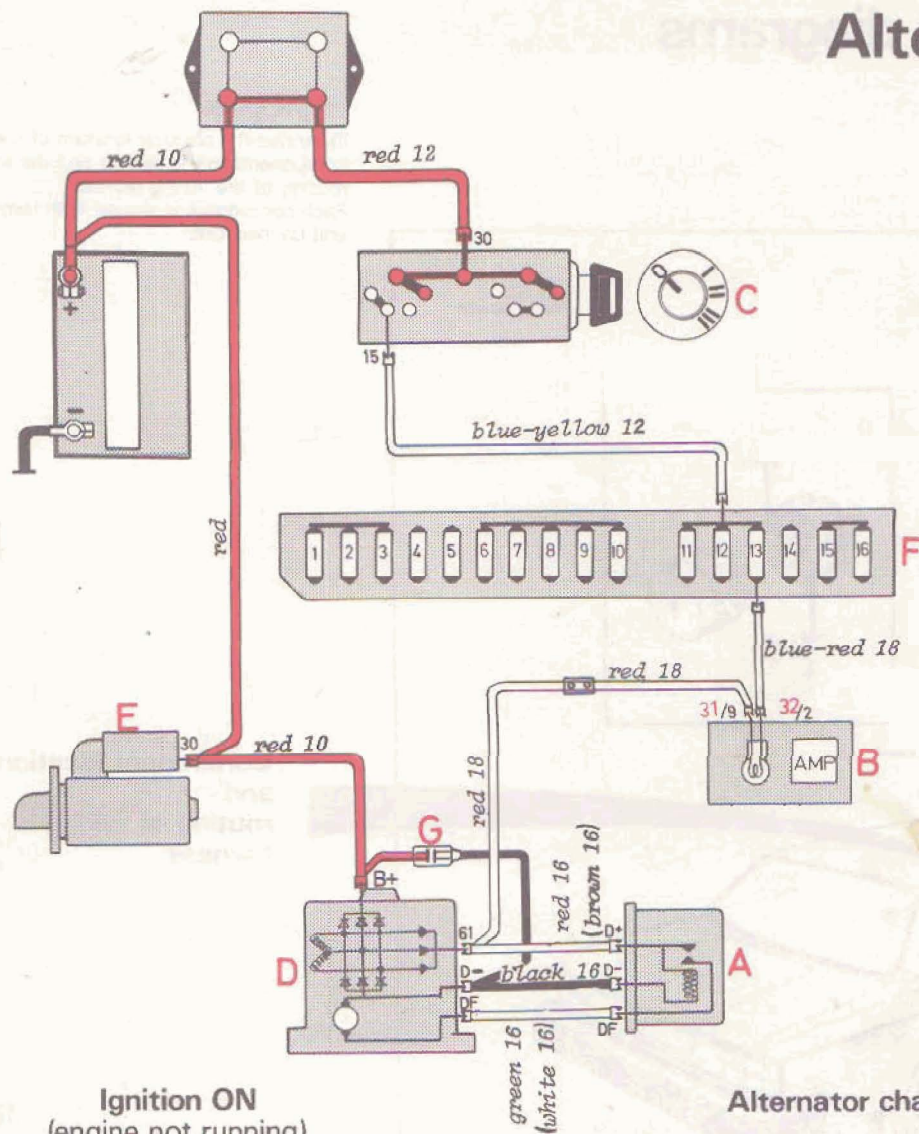
Component terminals and wire connections

Letters facilitate referencing components on either page

130805

Group 39  
Wiring diagrams 1980 97

# Alternator circuits



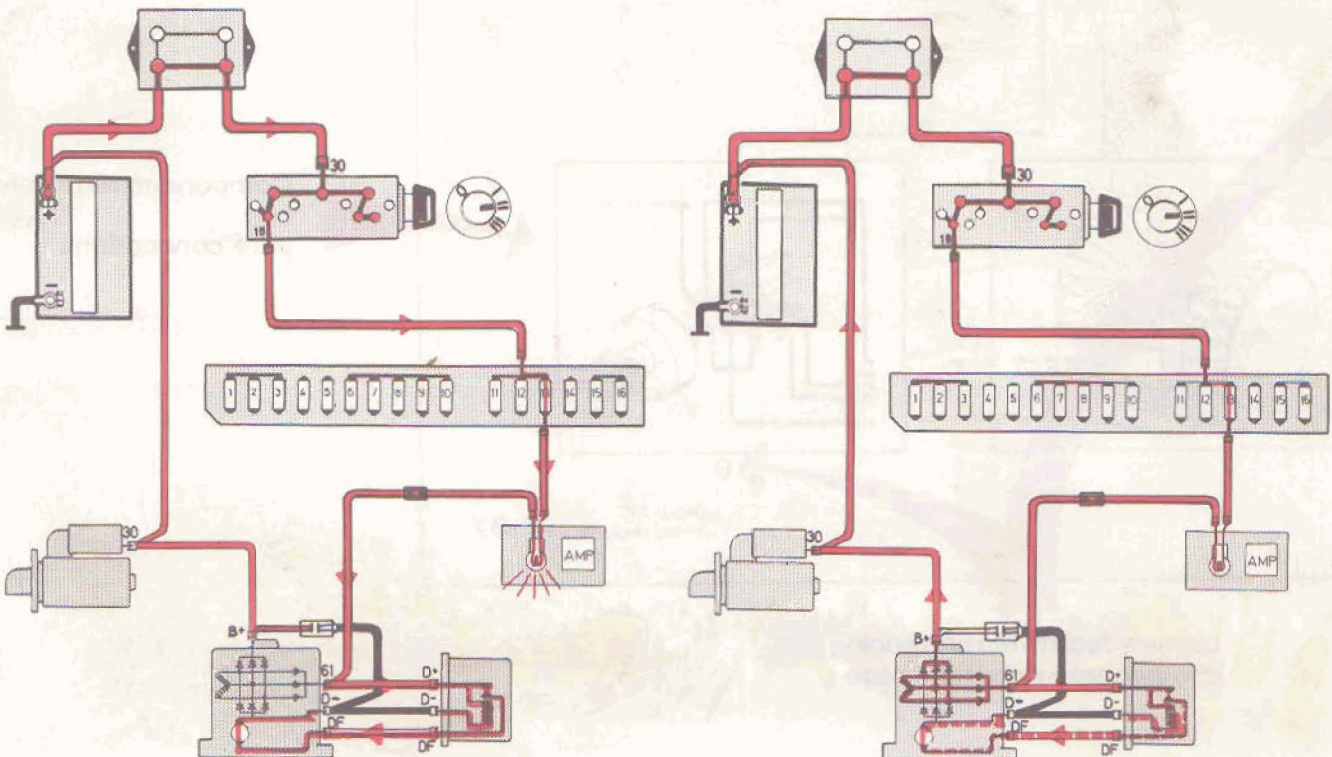
**Fuse No. 13:**  
 instruments  
 Turn signals  
 Seat belt warning  
 Relay, fuel injection  
 Solenoid valve (carburetor)

**Legend:**  
 A Voltage regulator  
 B Instrument cluster  
 C Ignition switch  
 D Alternator  
 E Starter motor  
 F Fuse box  
 G Capacitor

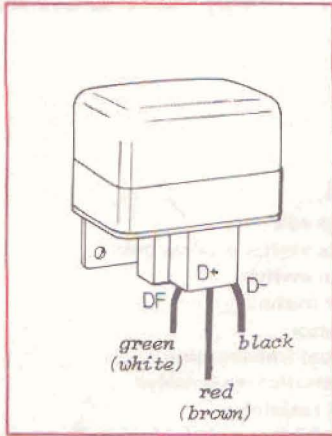
**NOTE:** The voltage regulator shown in schematic is symbolic and not the actual regulator. A solid state regulator is presently used.

**Ignition ON**  
(engine not running)

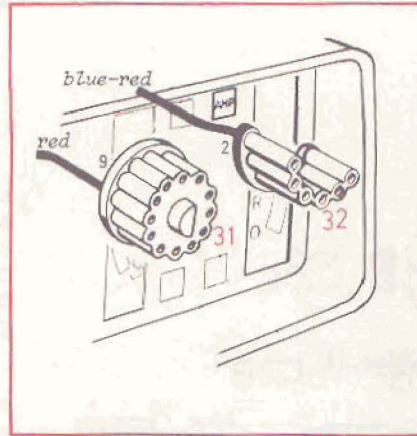
**Alternator charging**



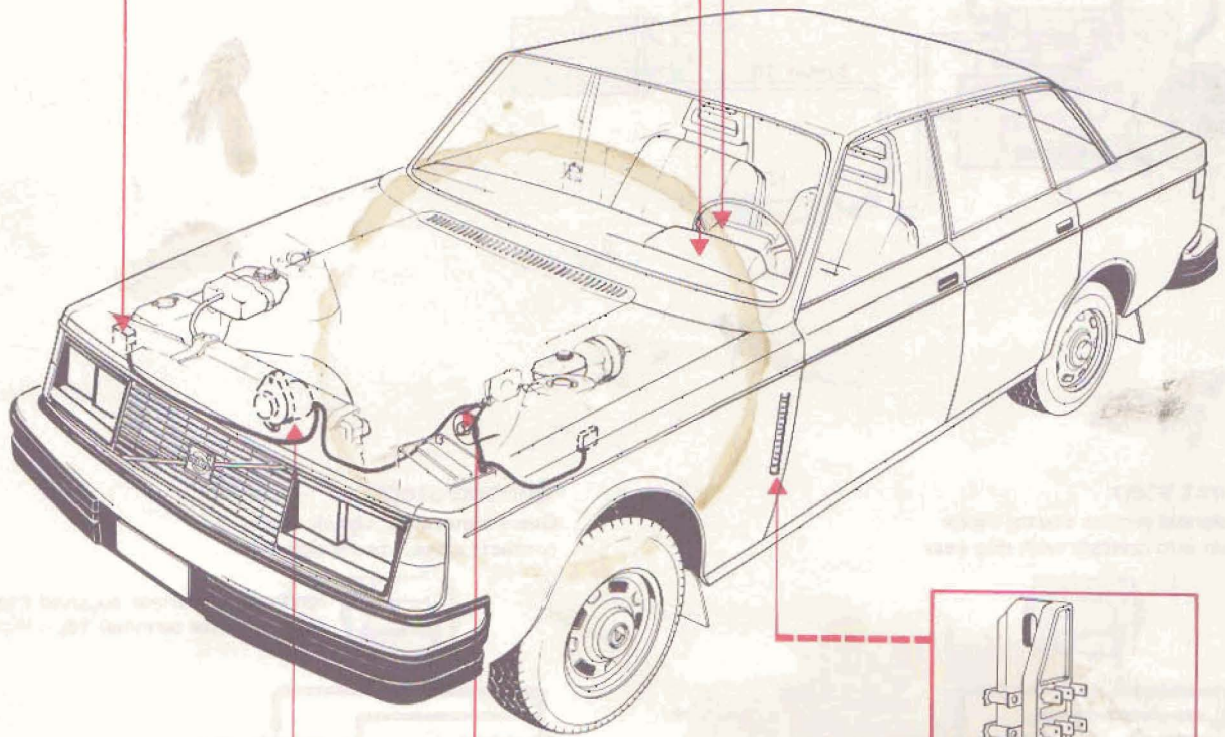
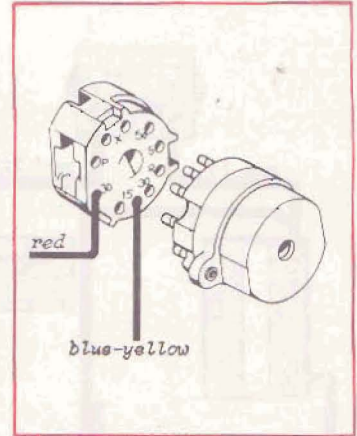
A



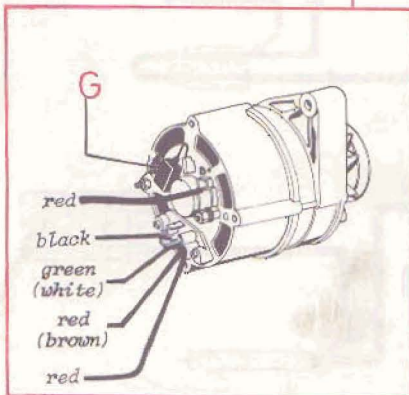
B



C

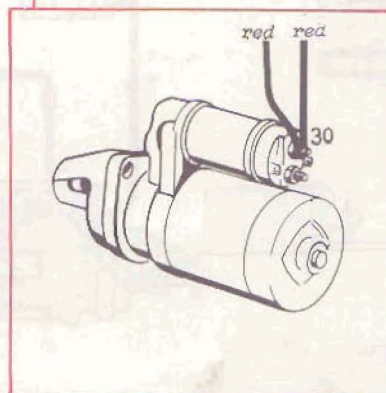


G

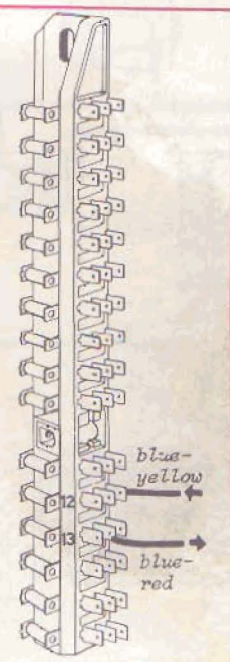


D

red red

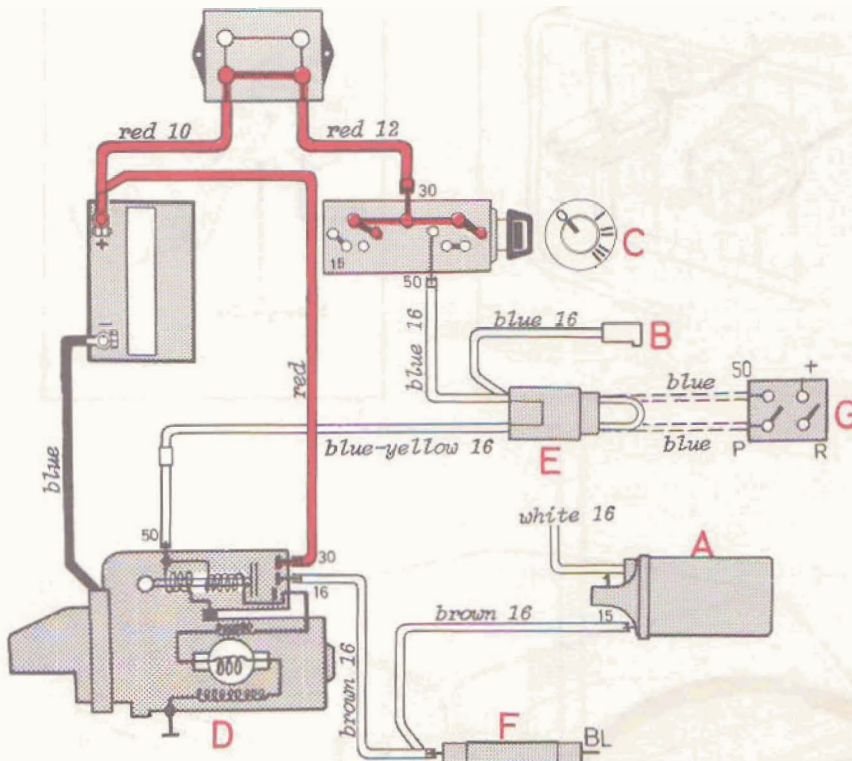


E



F

# Starting circuits



**Legend:**

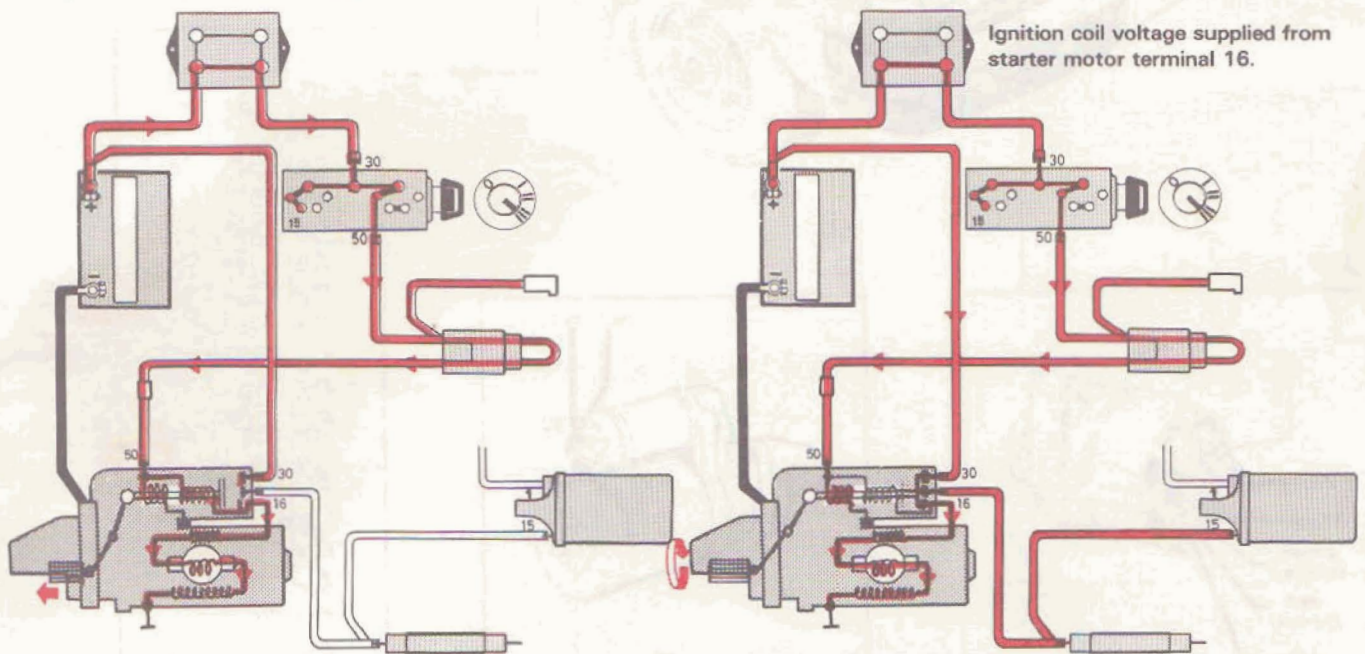
- A Ignition coil
- B Remote starter pick-up point
- C Ignition switch
- D Starter motor
- E Connector
- 1 Manual transmission
- 2 Automatic transmission
- F Ballast resistor
- G Start inhibitor switch (automatic transmission)

**First step:**

Solenoid pushes starter motor gear into contact with ring gear.

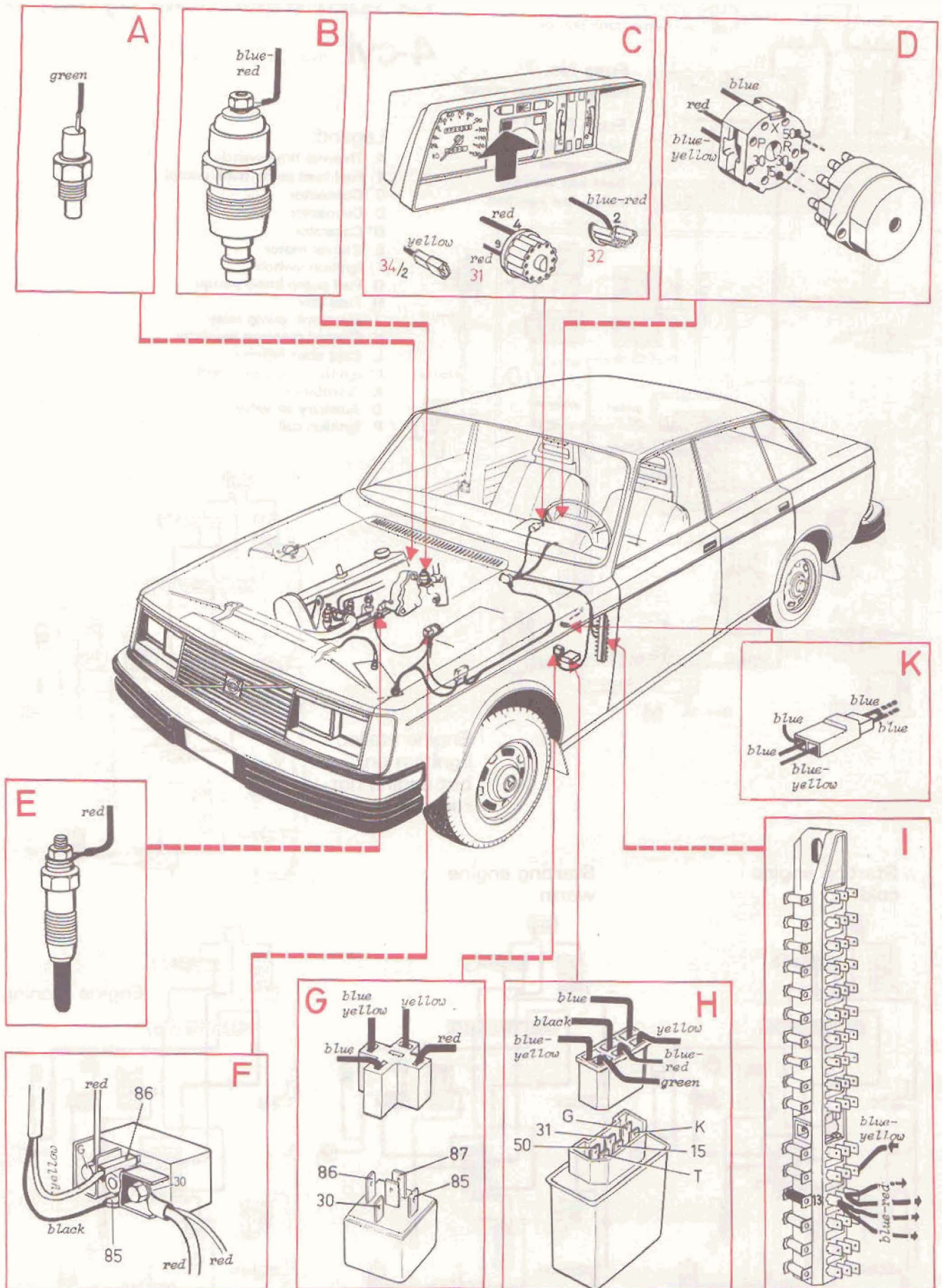
**Second step:**

Gears connected, starter motor contacts close, starter operates.

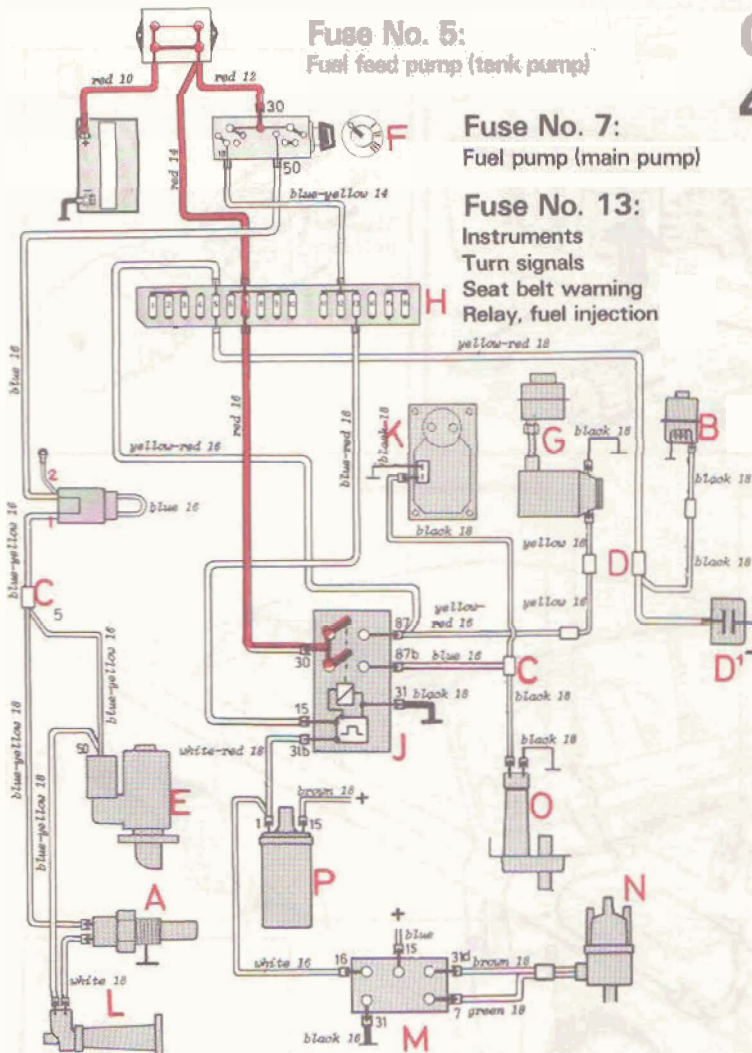








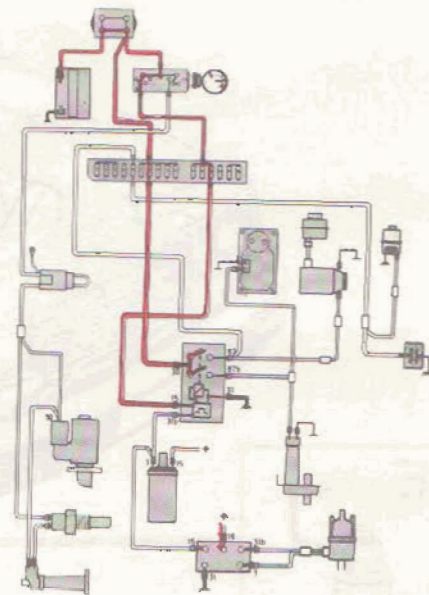
# CI fuel injection system 4-cyl



**Legend:**

- A Thermal time switch
- B Fuel feed pump (tank pump)
- C Connector
- D Connector
- D<sup>1</sup> Capacitor
- E Starter motor
- F Ignition switch
- G Fuel pump (main pump)
- H Fuse box
- J Electronic pump relay
- K Control pressure regulator
- L Cold start injector
- M Ignition electronic module
- N Distributor
- O Auxiliary
- P Ignition coil

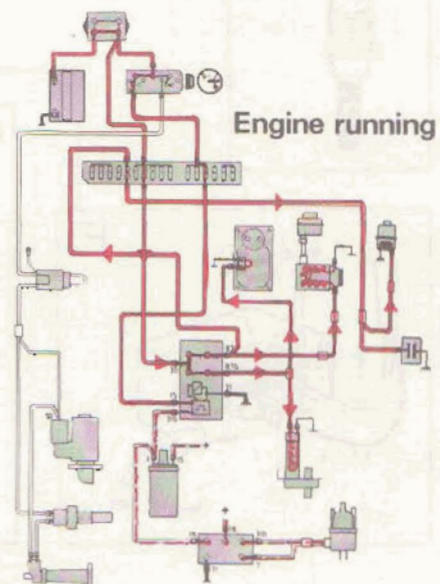
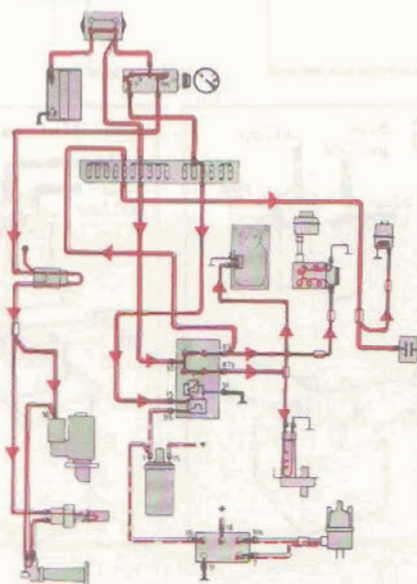
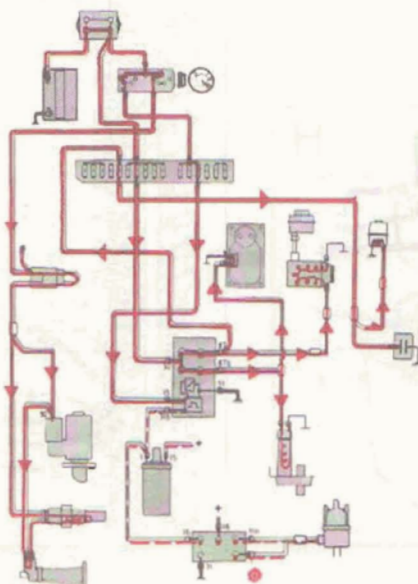
Engine stalled  
(ignition on,  
but engine not  
running)

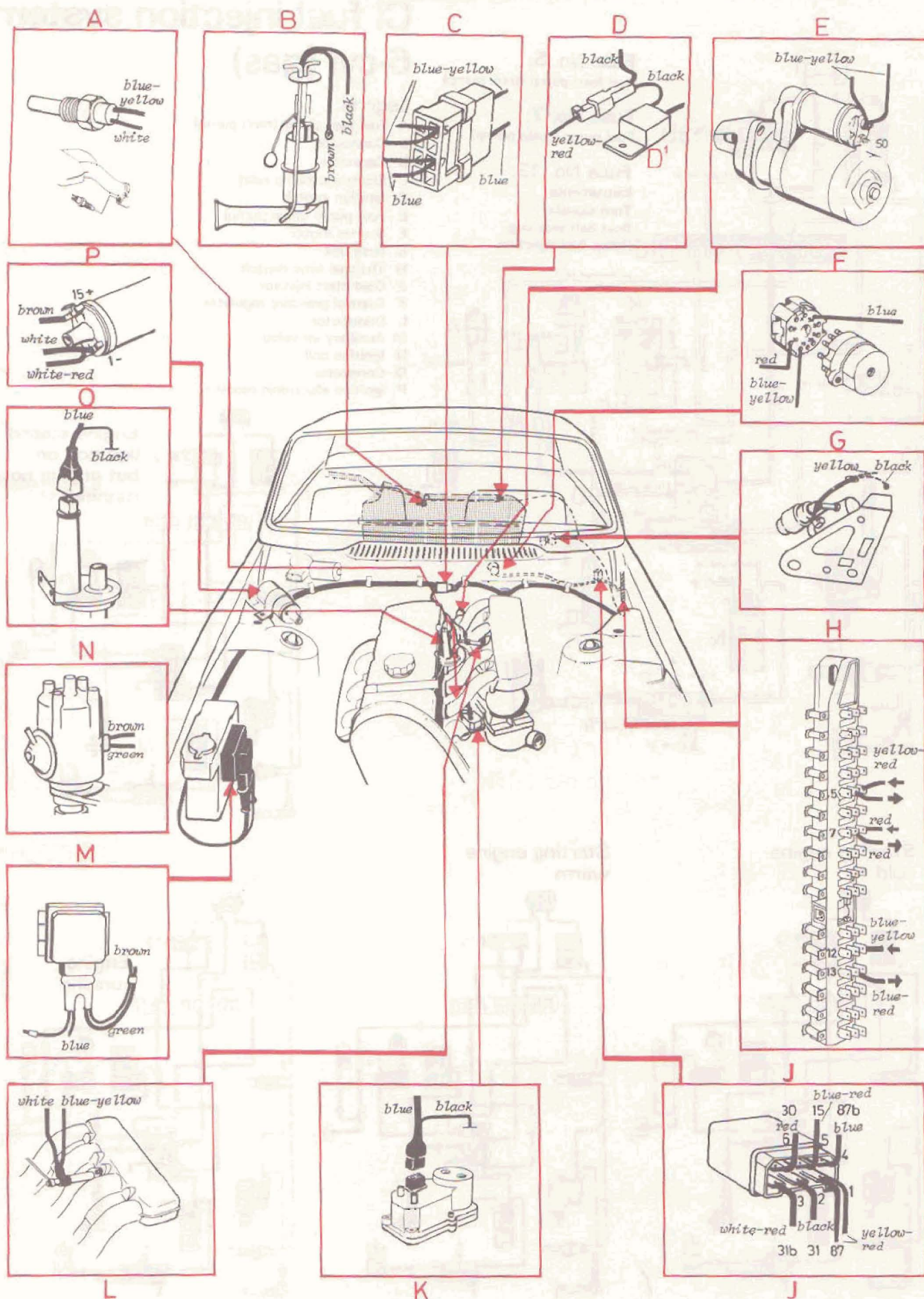


**Starting engine cold**

**Starting engine warm**

**Engine running**





# CI fuel injection system 6-cyl (gas)

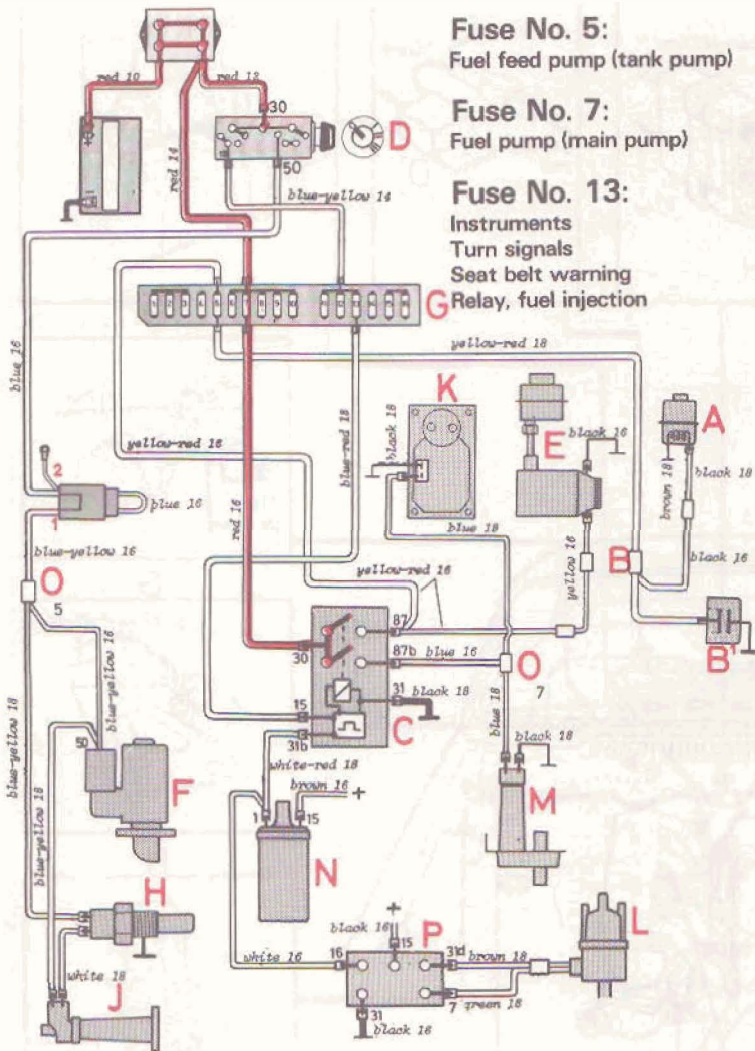
## Legend:

- A Fuel feed pump (tank pump)
- B Connector
- B' Capacitor
- C Electronic pump relay
- D Ignition switch
- E Fuel pump (main pump)
- F Starter motor
- G Fuse box
- H Thermal time switch
- J Cold start injector
- K Control pressure regulator
- L Distributor
- M Auxiliary air valve
- N Ignition coil
- O Connector
- P Ignition electronic module

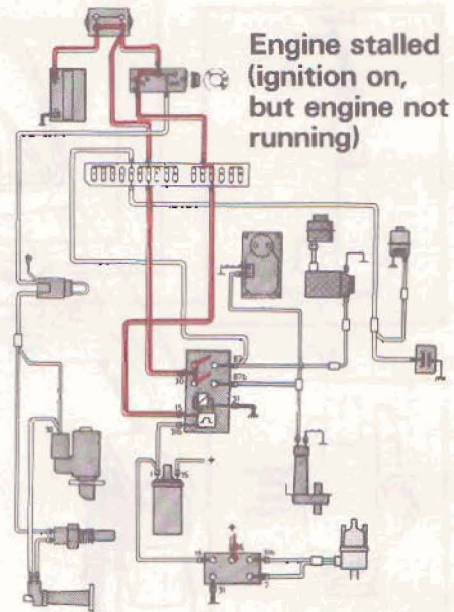
Fuse No. 5:  
Fuel feed pump (tank pump)

Fuse No. 7:  
Fuel pump (main pump)

Fuse No. 13:  
Instruments  
Turn signals  
Seat belt warning  
Relay, fuel injection



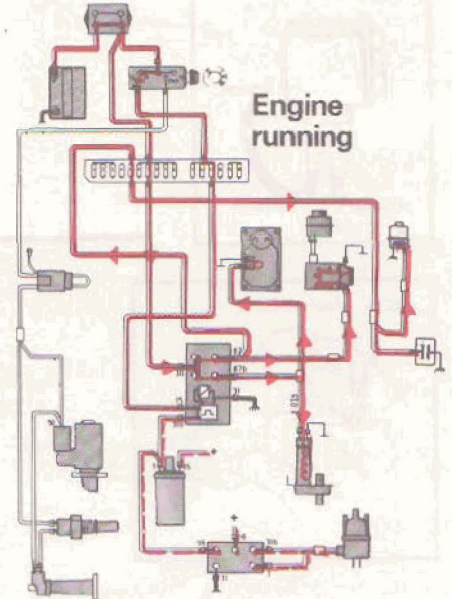
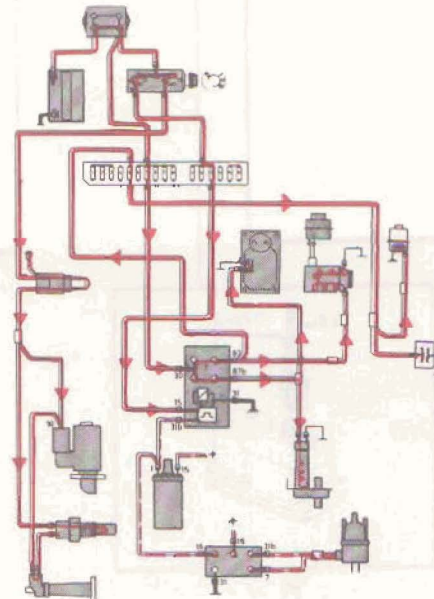
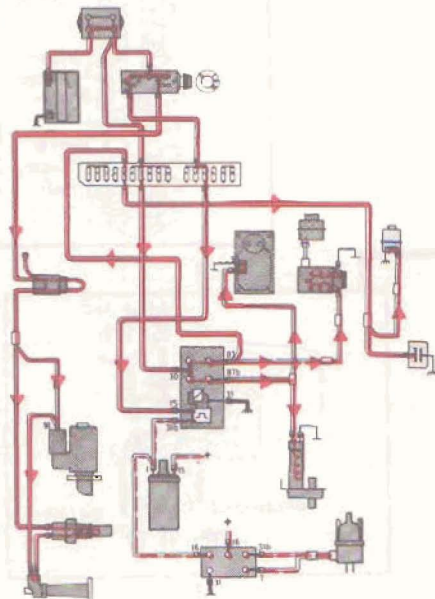
Engine stalled  
(ignition on,  
but engine not  
running)

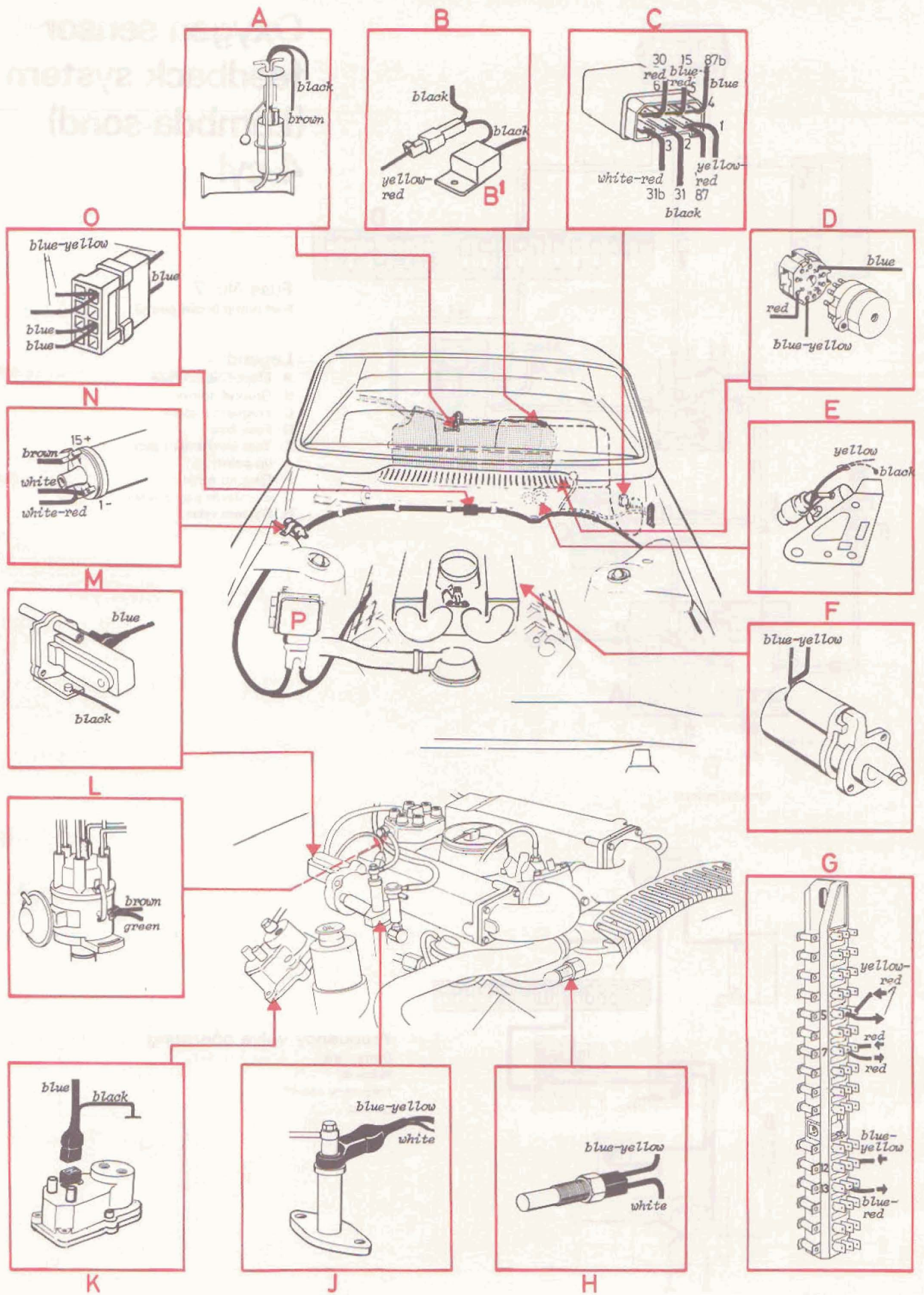


Starting engine  
cold

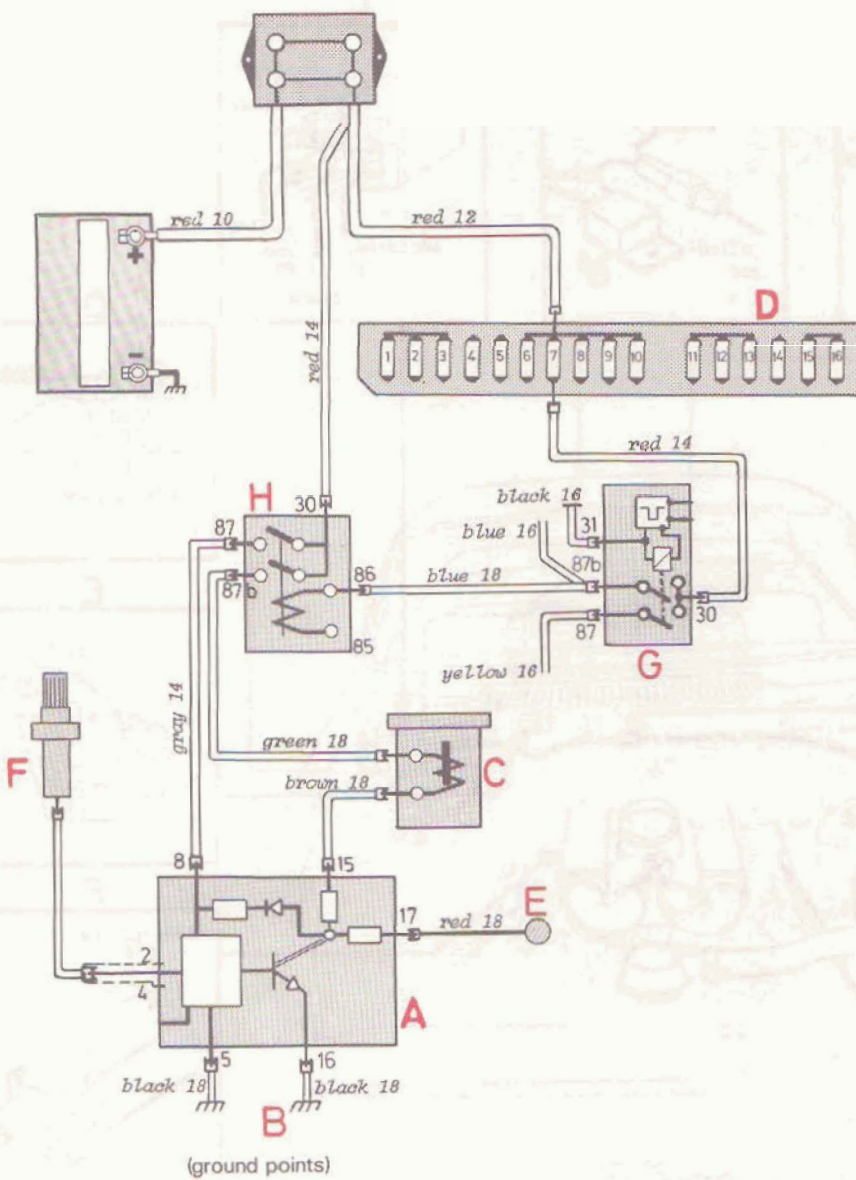
Starting engine  
warm

Engine  
running



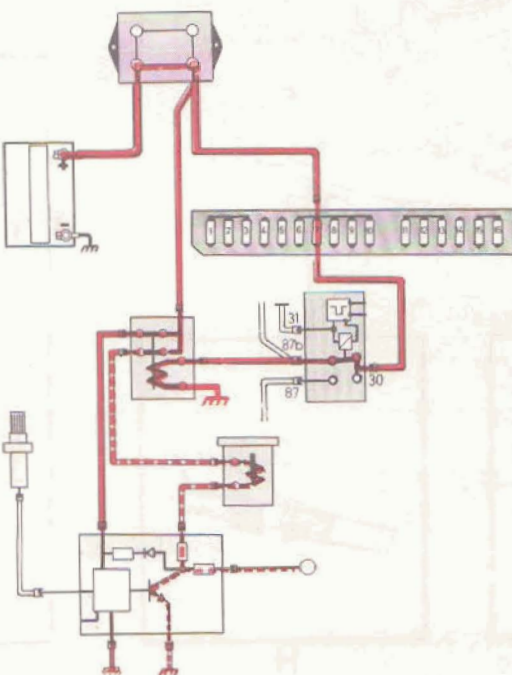


# Oxygen sensor feedback system (Lambda-sond) 4-cyl



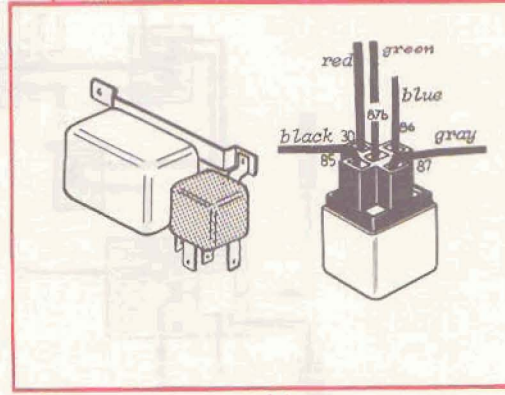
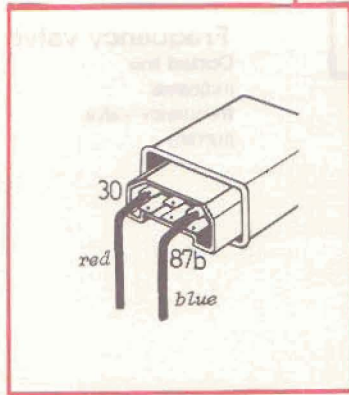
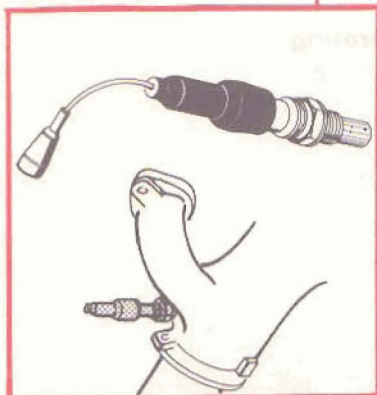
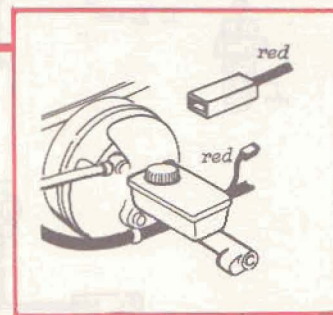
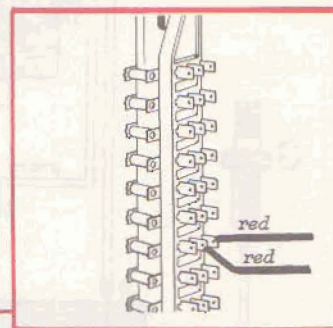
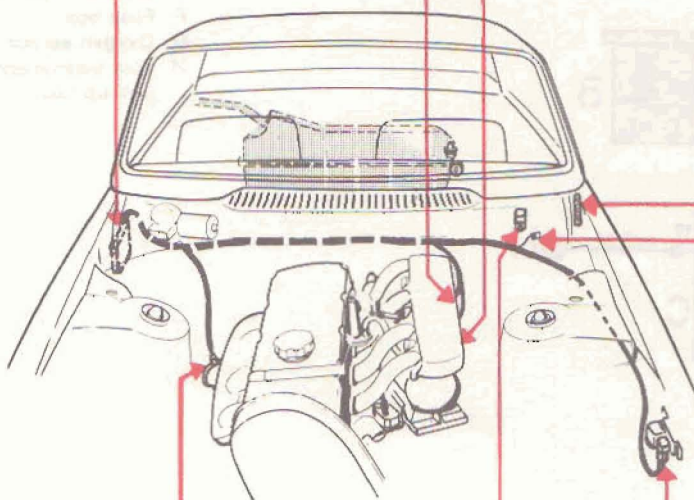
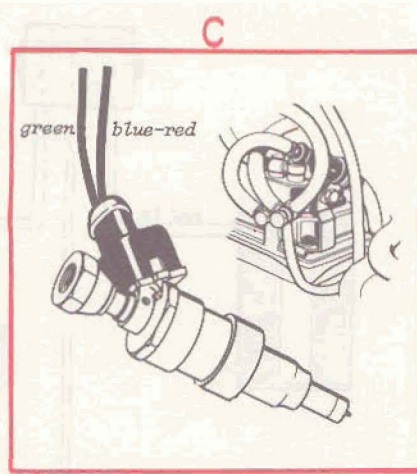
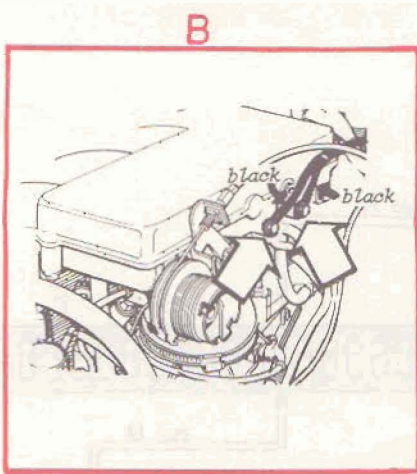
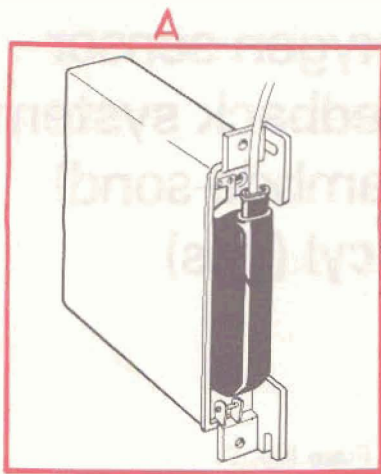
**Fuse No. 7:**  
Fuel pump (main pump)

- Legend:**
- A Electronic module
  - B Ground points
  - C Frequency valve
  - D Fuse box
  - E Test instrument pick-up point
  - F Oxygen sensor
  - G Electronic pump relay
  - H System relay

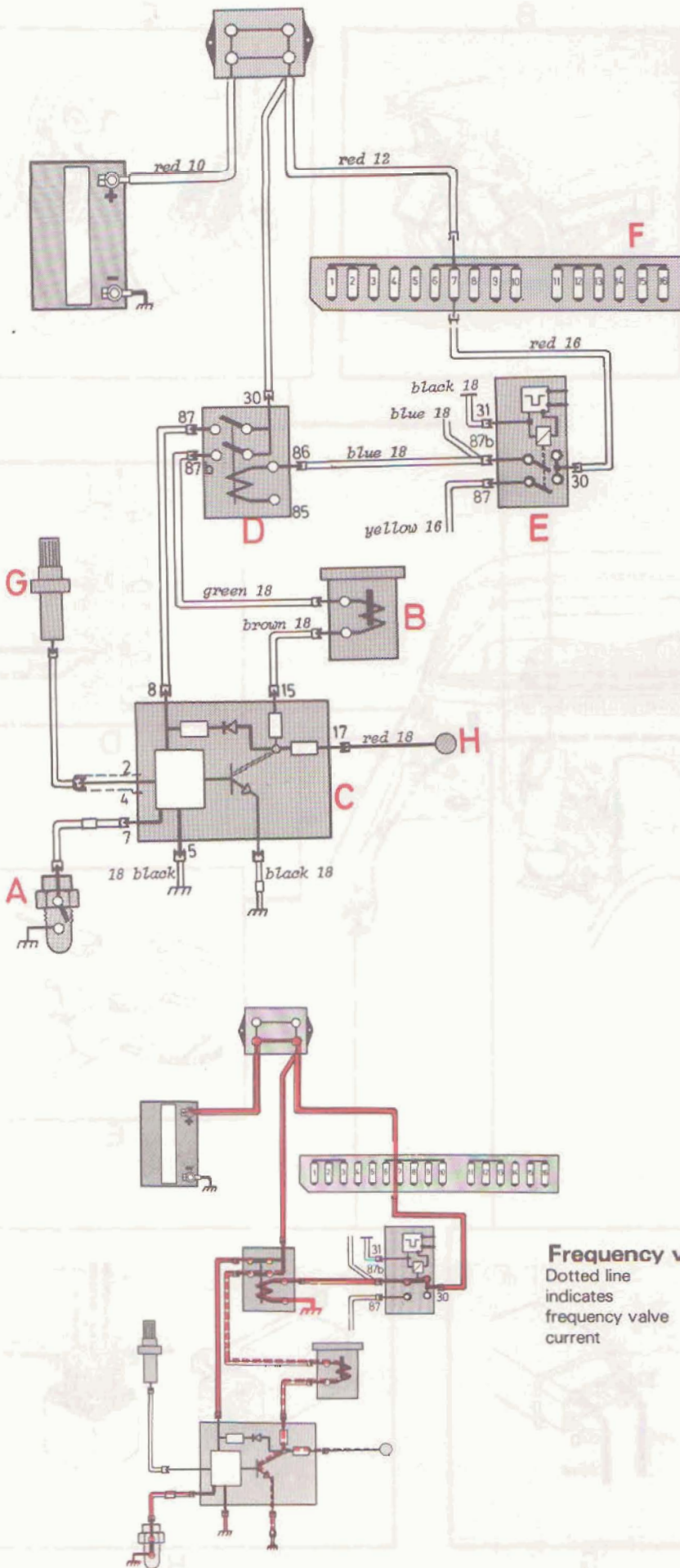


**Frequency valve operating**

Dotted line indicates frequency valve current



# Oxygen sensor feedback system (Lambda-sond) 6-cyl (gas)



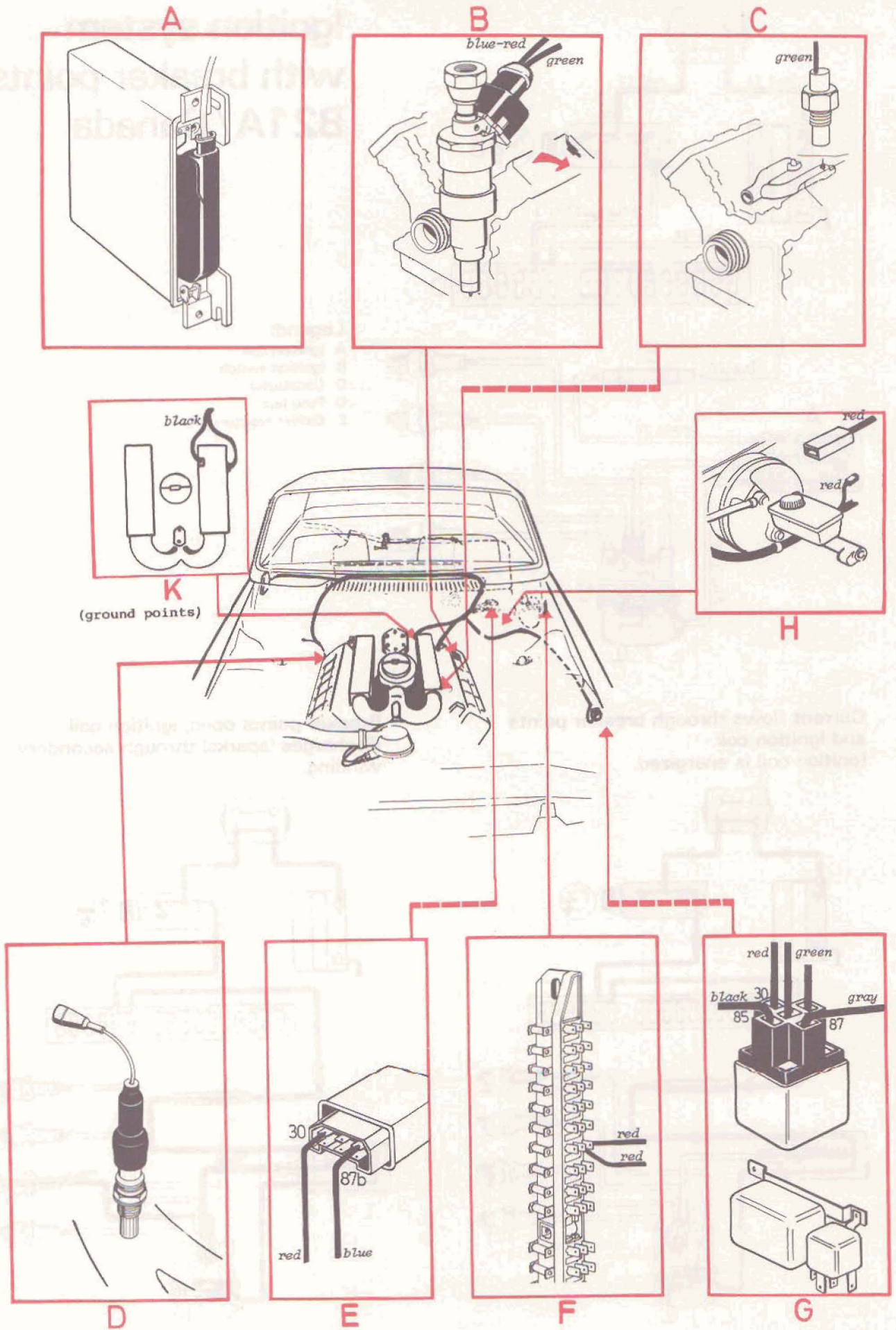
**Fuse No. 7:**  
Fuel pump (main pump)

**Legend:**

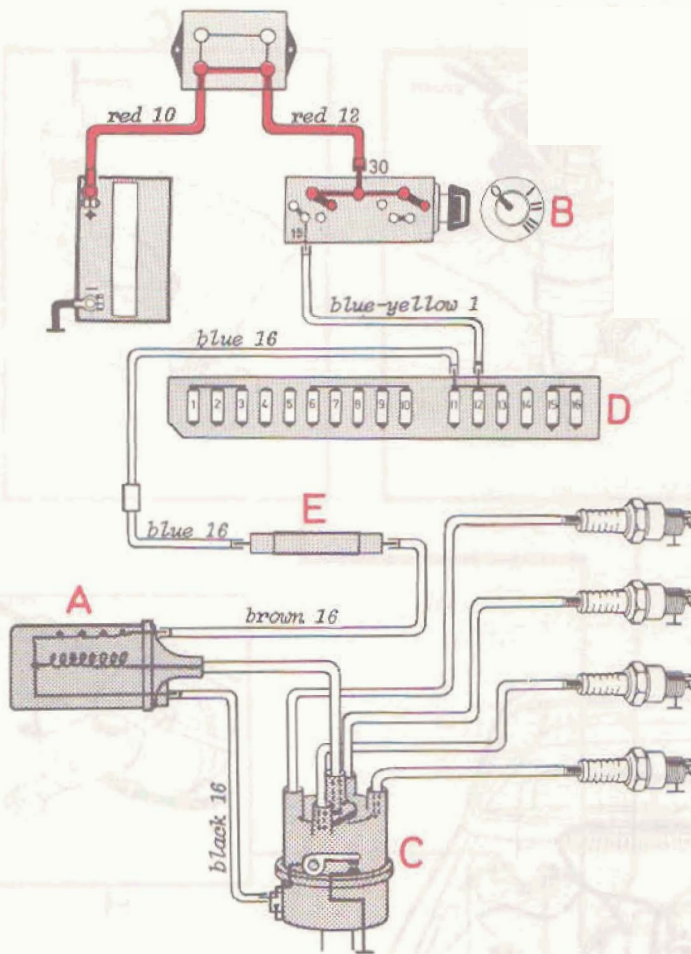
- A Thermal switch
- B Frequency valve
- C Electronic module
- D System relay
- E Electronic pump relay
- F Fuse box
- G Oxygen sensor
- H Test instrument pick-up point

**Frequency valve operating**

Dotted line indicates frequency valve current



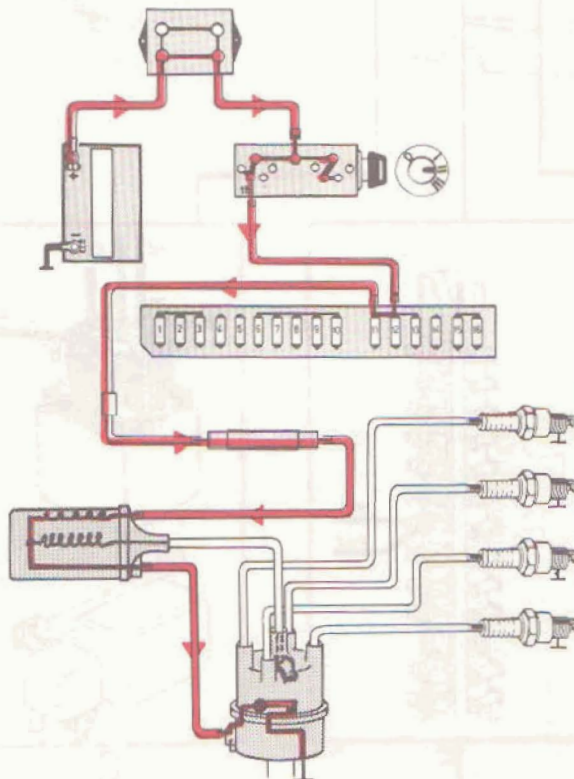
# Ignition system with breaker points, B21A/Canada



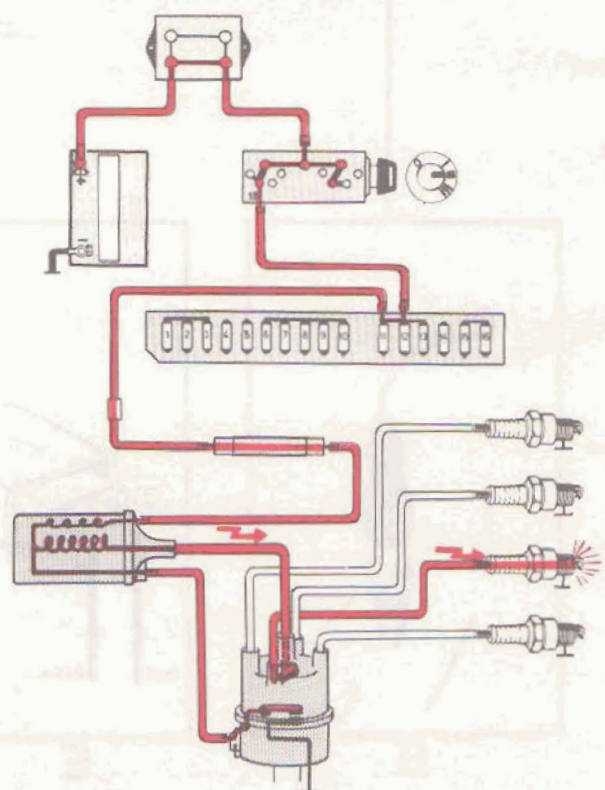
**Legend:**

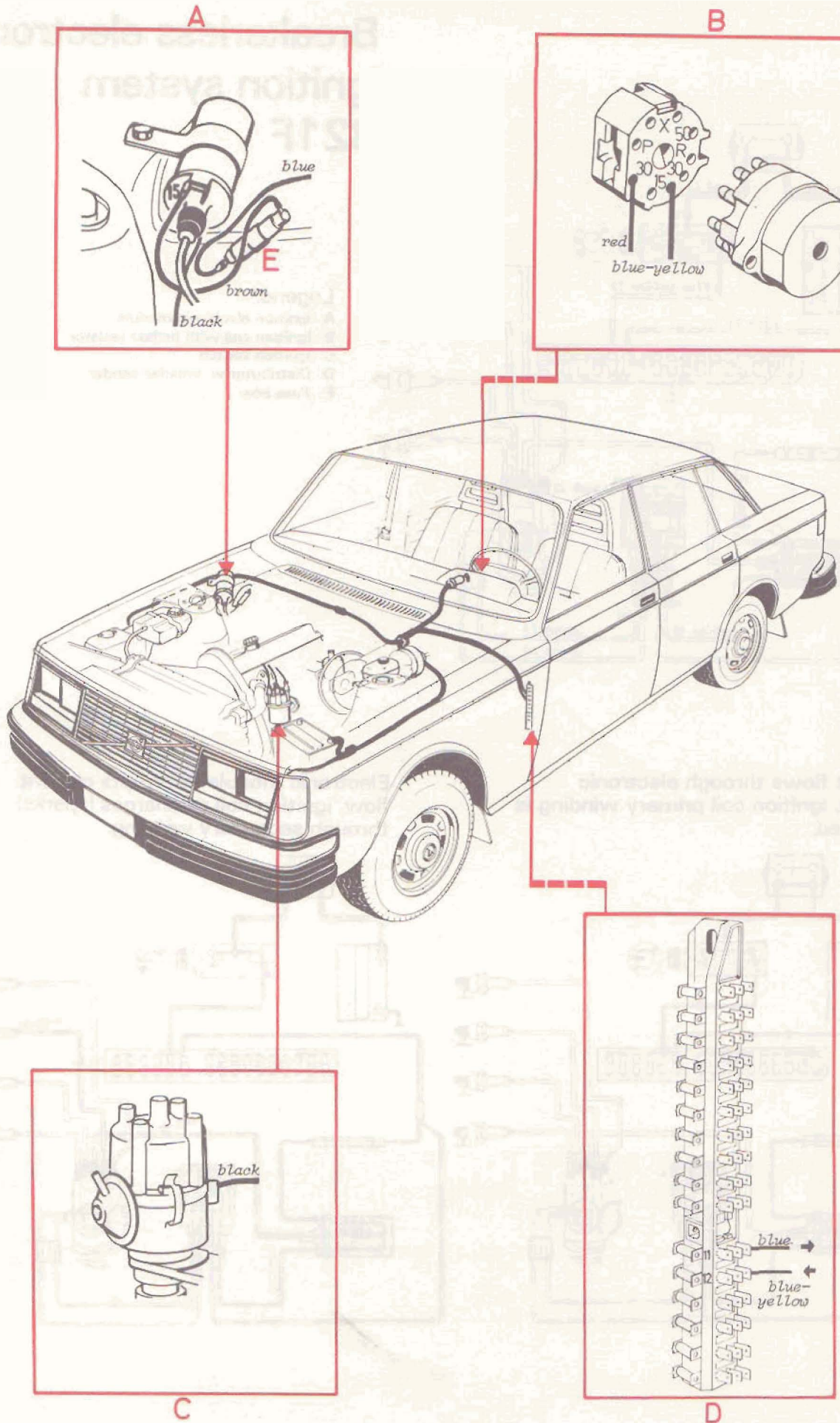
- A Ignition coil
- B Ignition switch
- C Distributor
- D Fuse box
- E Ballast resistor

Current flows through breaker points and ignition coil. Ignition coil is energized.

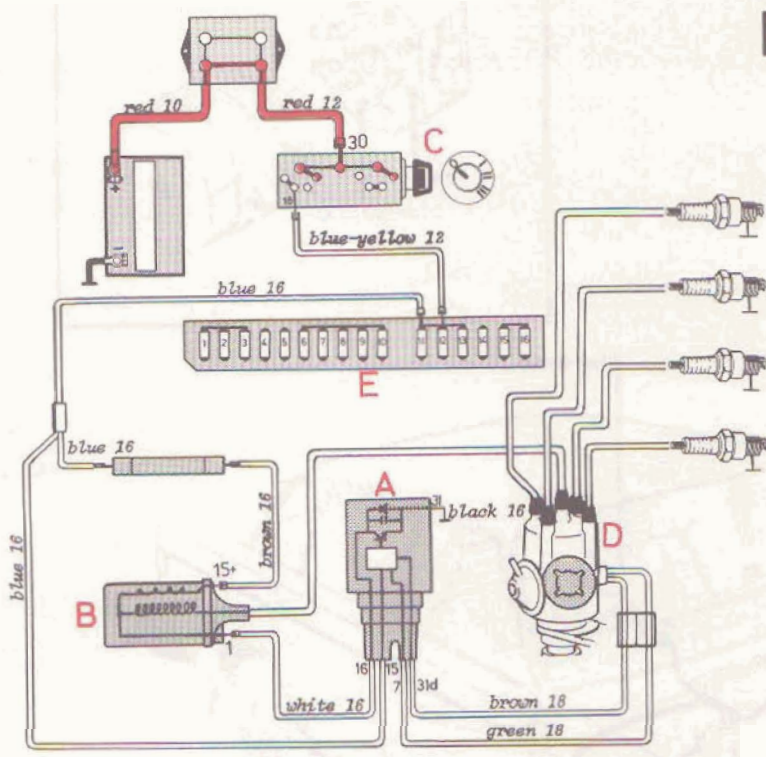


Breaker points open, ignition coil discharges (sparks) through secondary winding.





# Breakerless electronic ignition system B21F

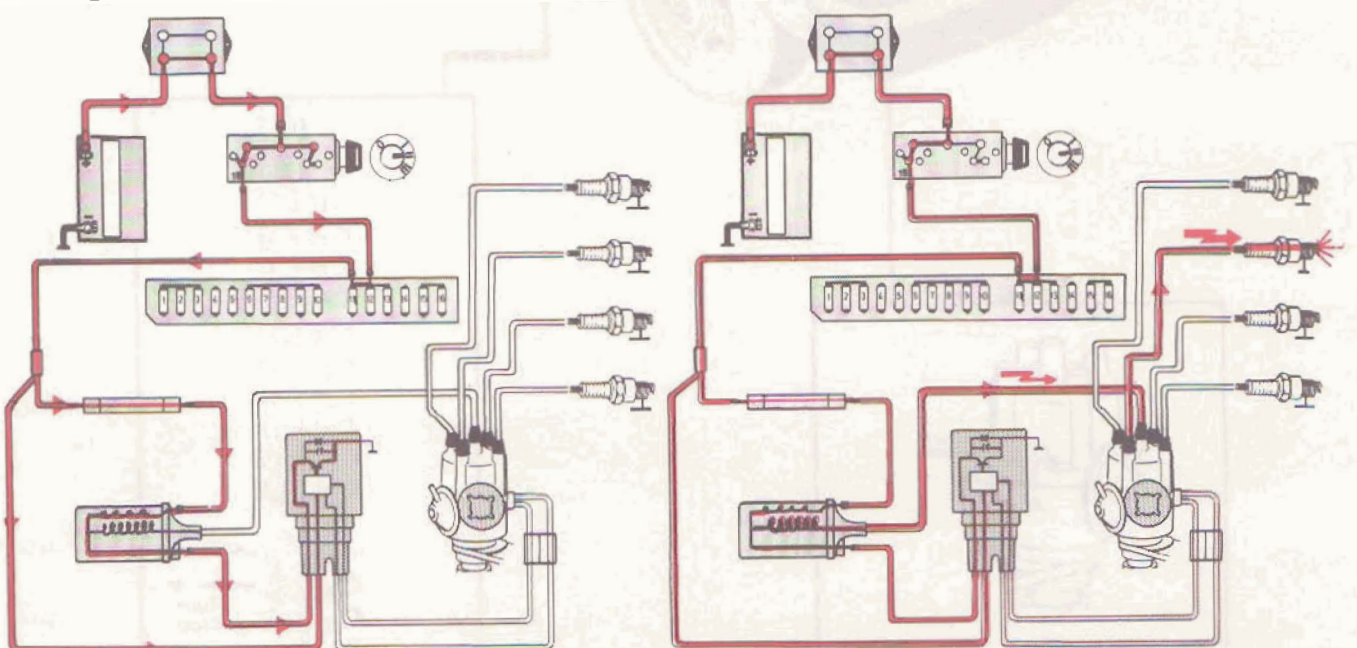


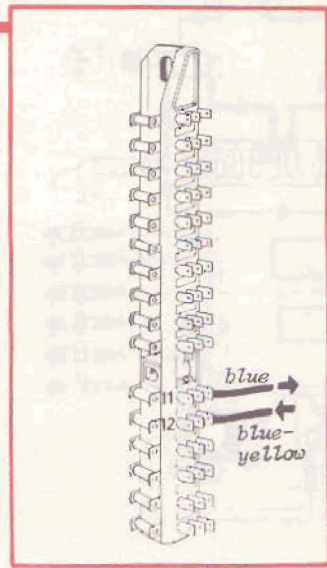
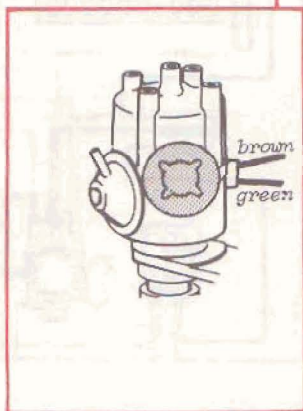
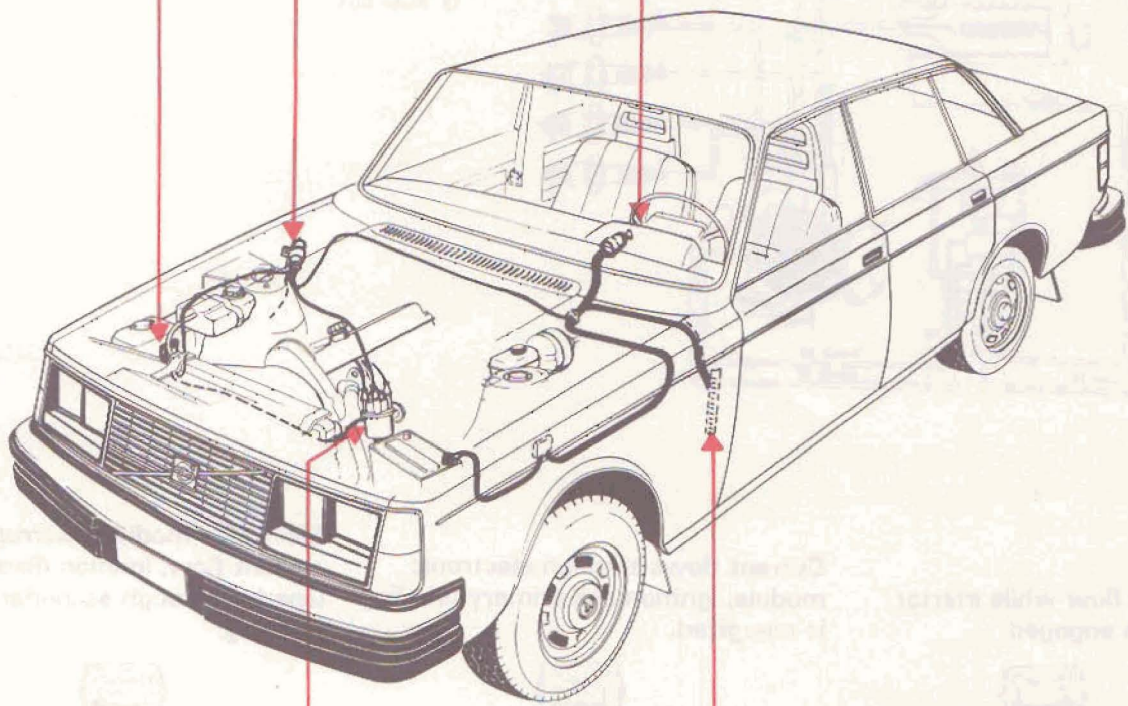
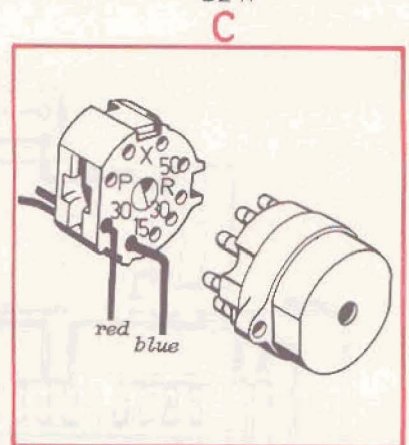
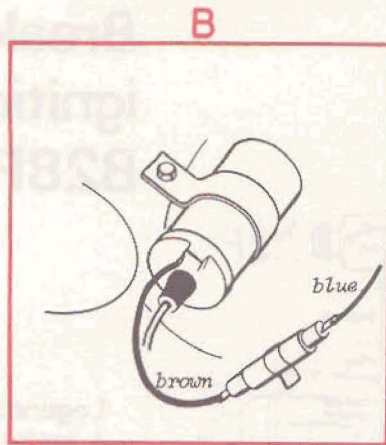
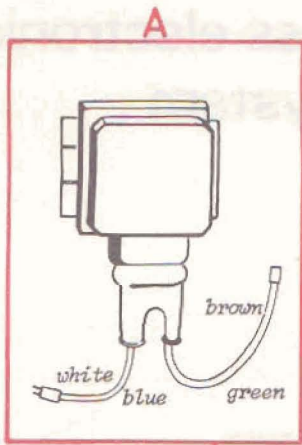
**Legend:**

- A Ignition electronic module
- B Ignition coil with ballast resistor
- C Ignition switch
- D Distributor w. impulse sender
- E Fuse box

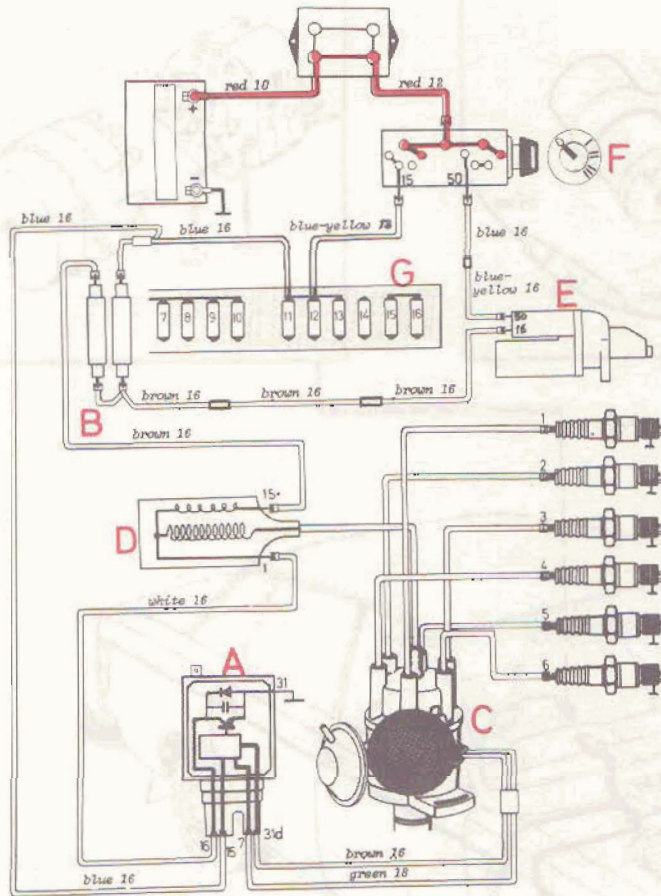
Current flows through electronic module, ignition coil primary winding is energized.

Electronic module interrupts current flow, ignition coil discharges (sparks) through secondary winding.





# Breakerless electronic ignition system B28F



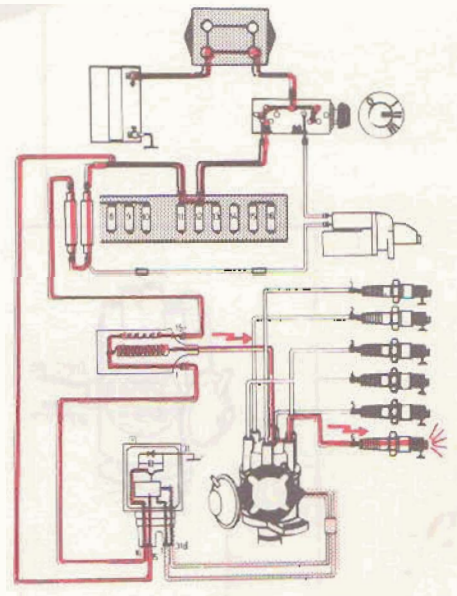
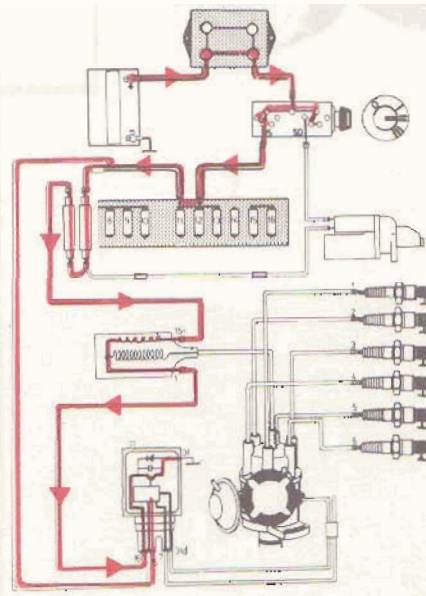
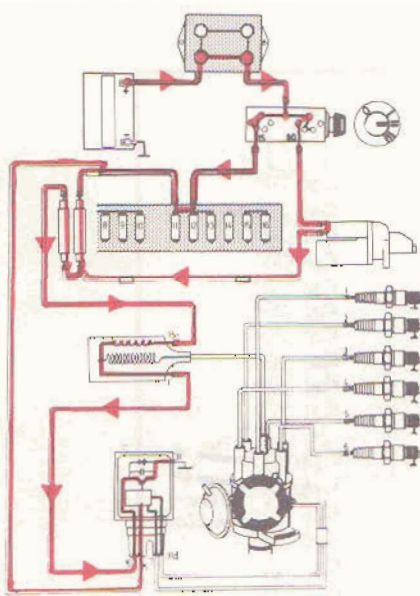
**Legend:**

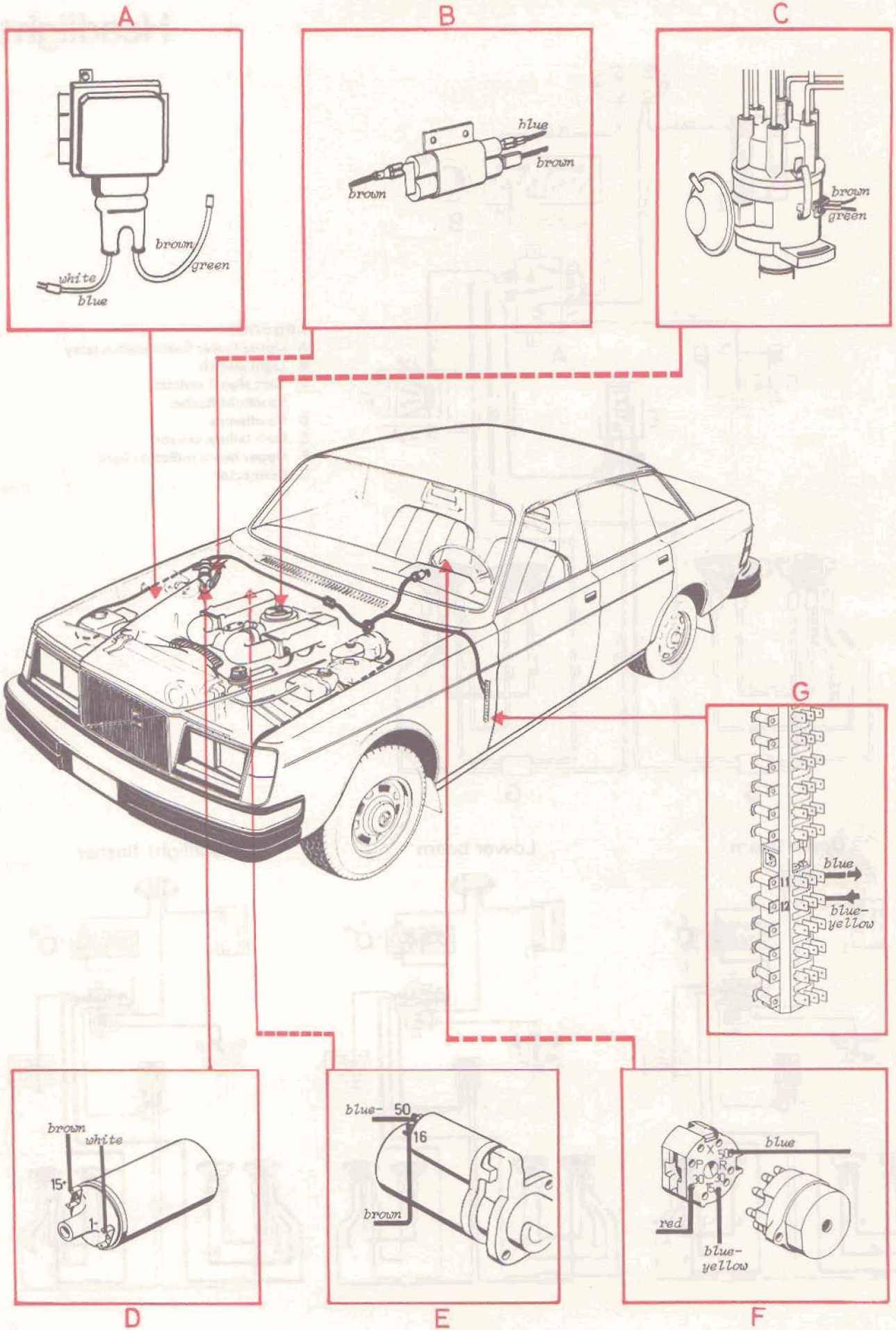
- A Ignition electronic module
- B Ballast resistor
- C Distributor w. impulse sender
- D Ignition coil
- E Starter motor
- F Ignition switch
- G Fuse box

Current flow while starter motor is engaged.

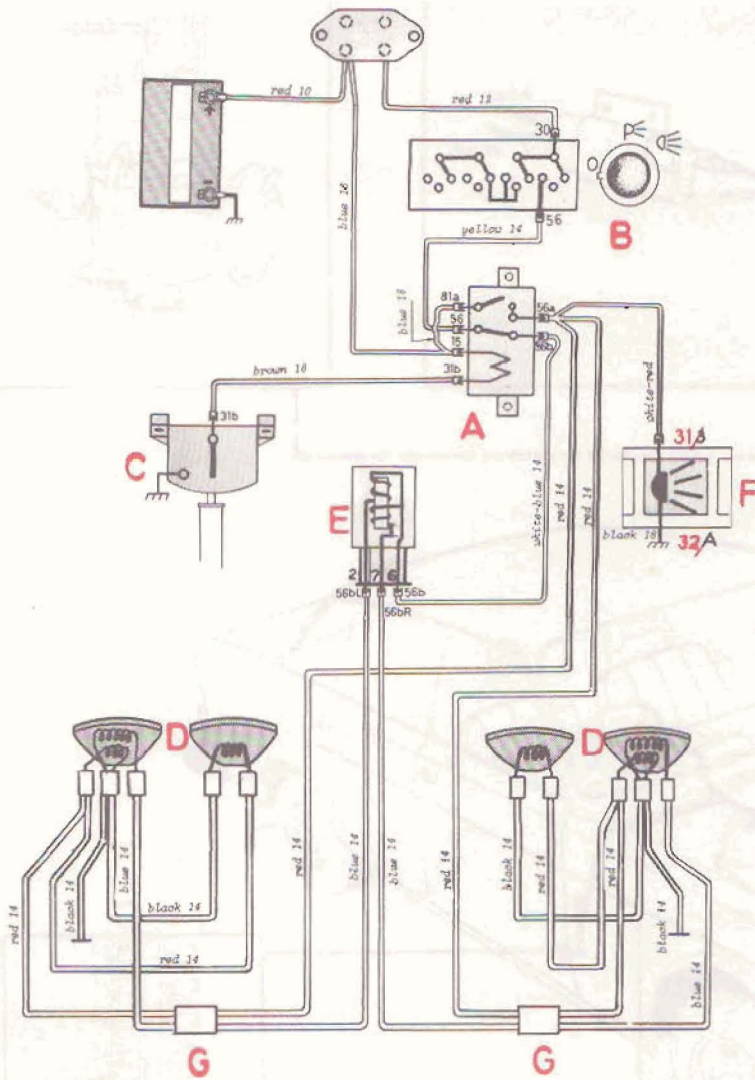
Current flows through electronic module, ignition coil primary winding is energized.

Electronic module interrupts current flow, ignition discharges (sparks) through secondary winding.

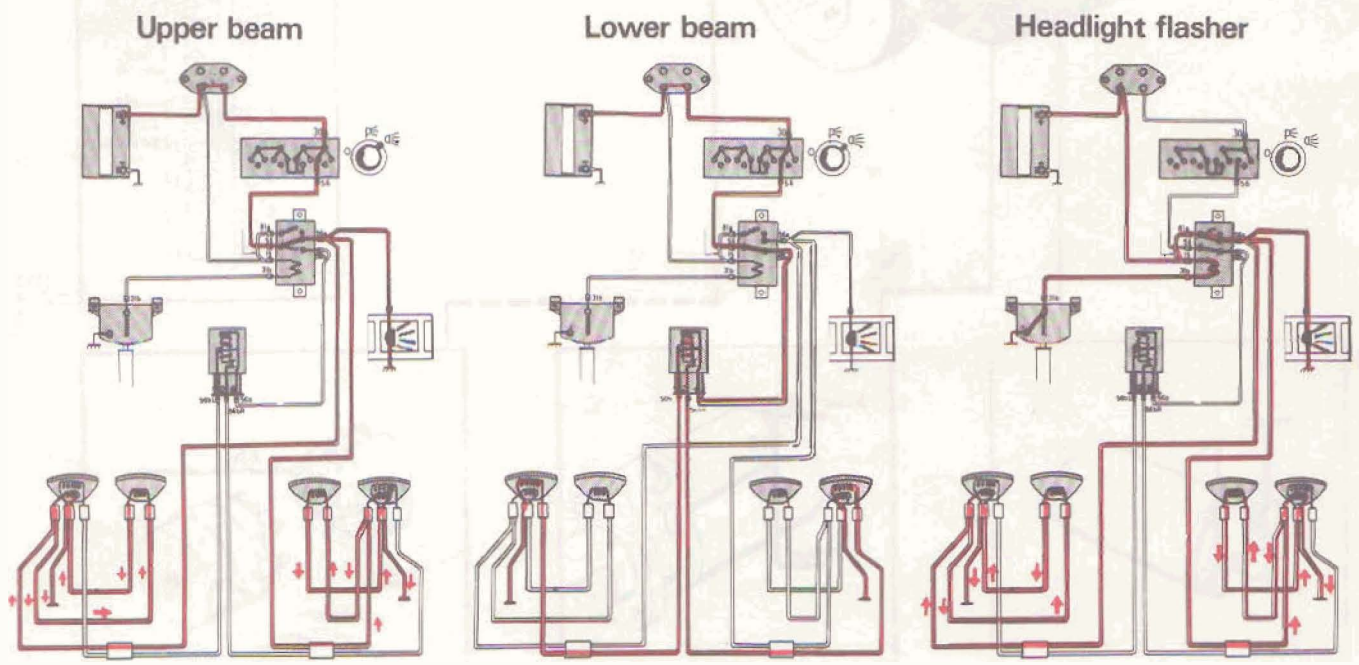


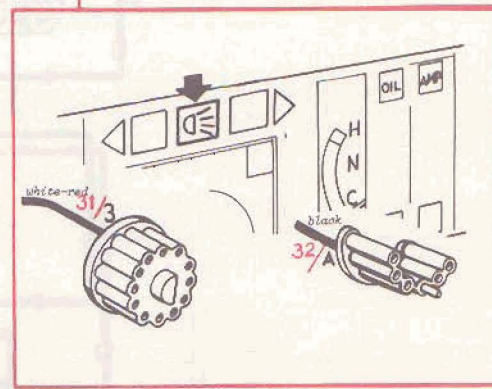
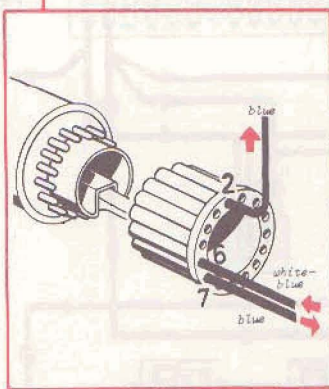
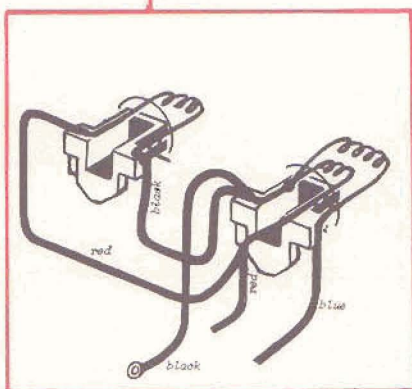
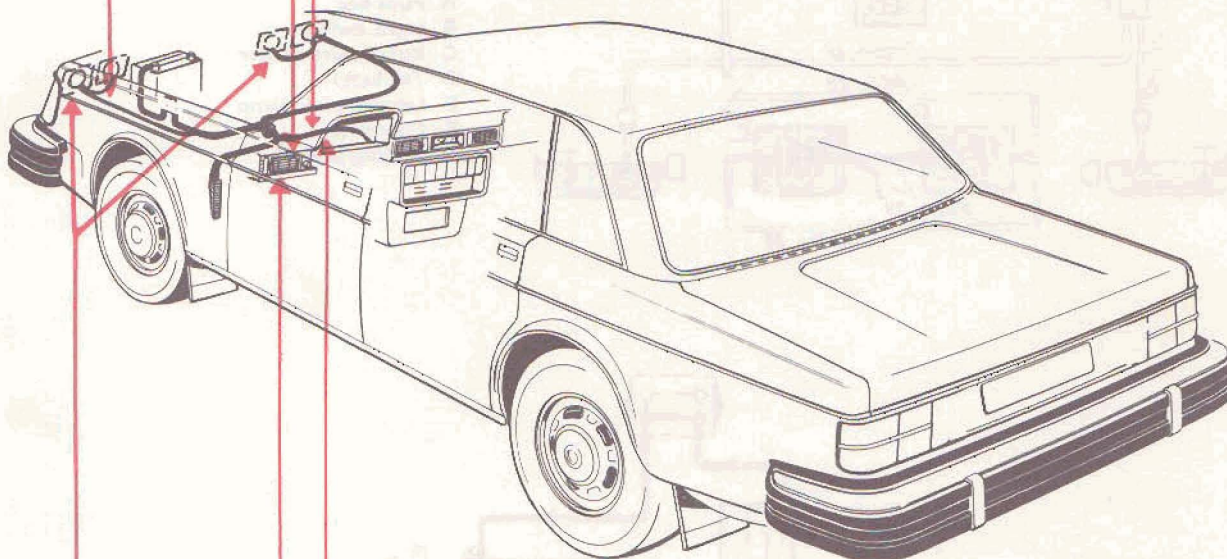
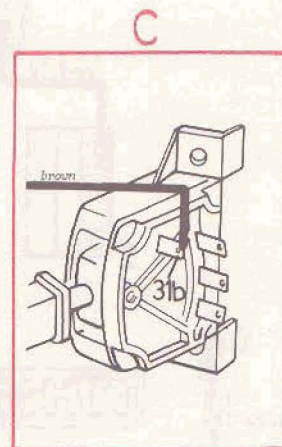
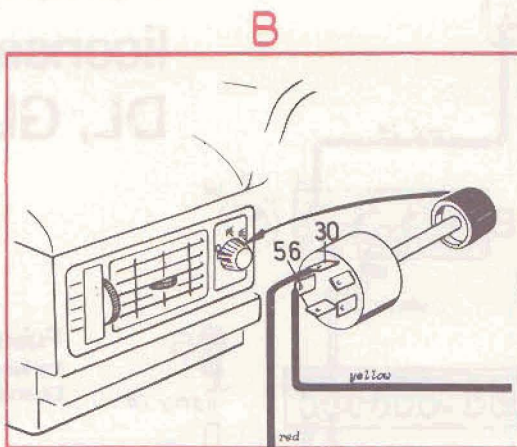
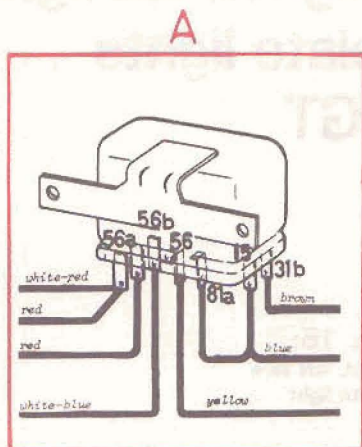


# Headlights

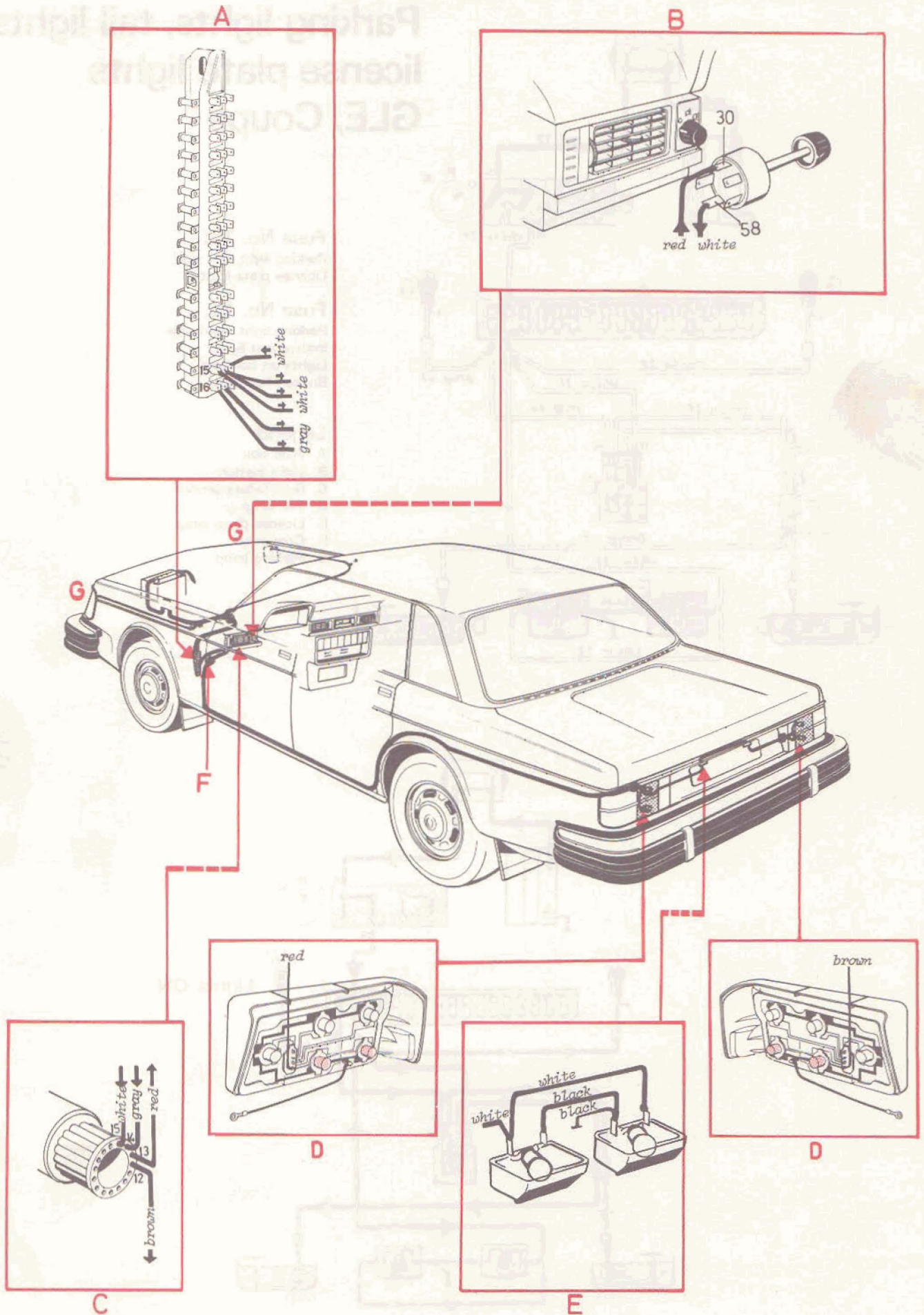


- Legend:**
- A Upper/lower beam switch relay
  - B Light switch
  - C Turn signal switch/ headlight flasher
  - D Headlamps
  - E Bulb failure sensor
  - F Upper beam indicator light
  - G Connector



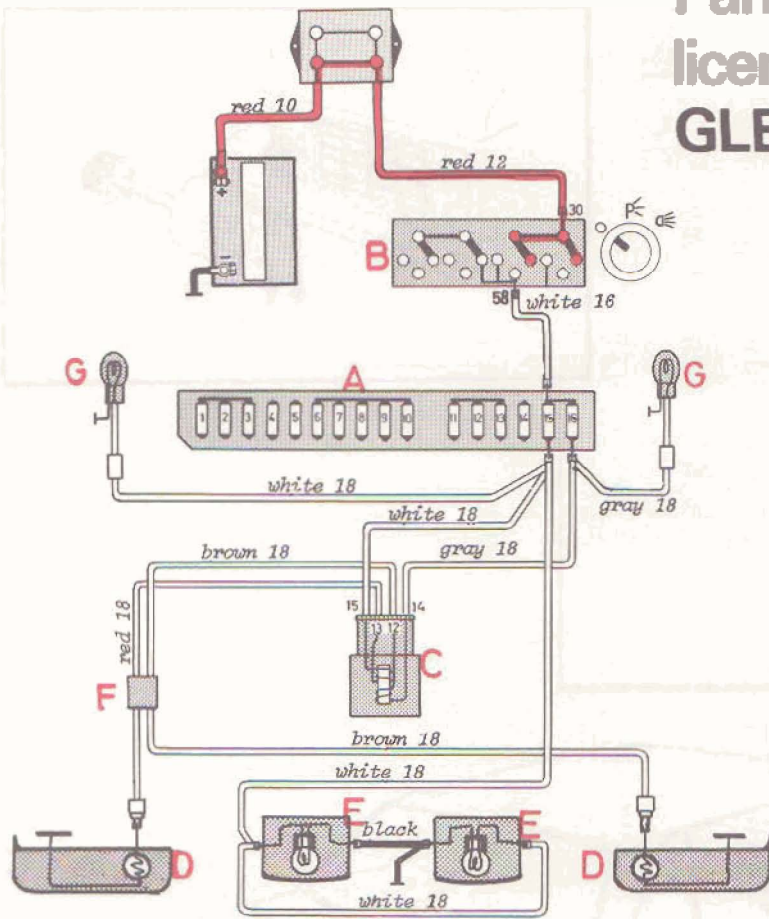






Parking lights, tail lights,  
license plate lights  
GLE, Coupe

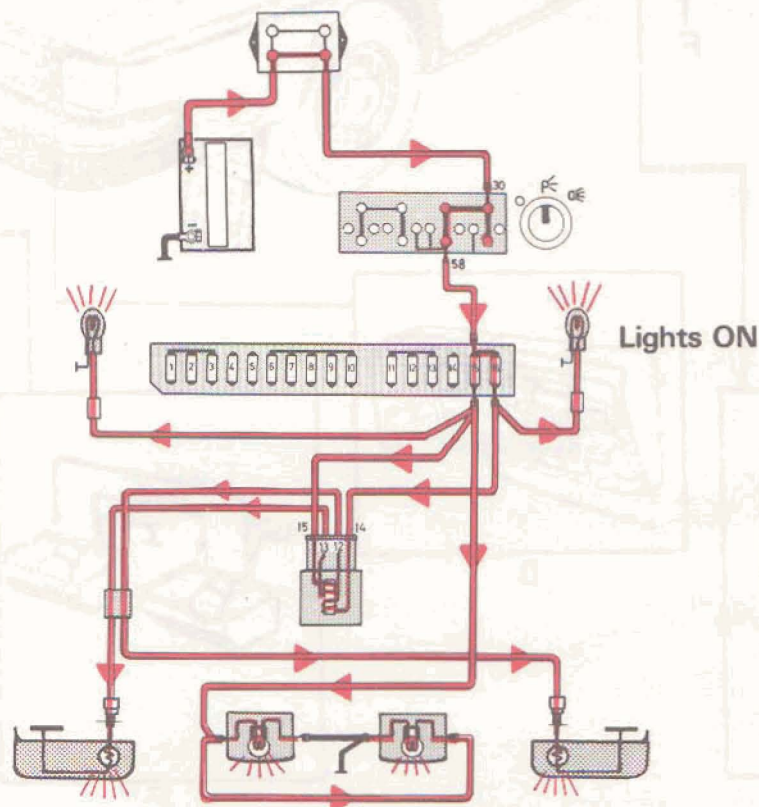
# Parking lights, tail lights, license plate lights GLE, Coupe

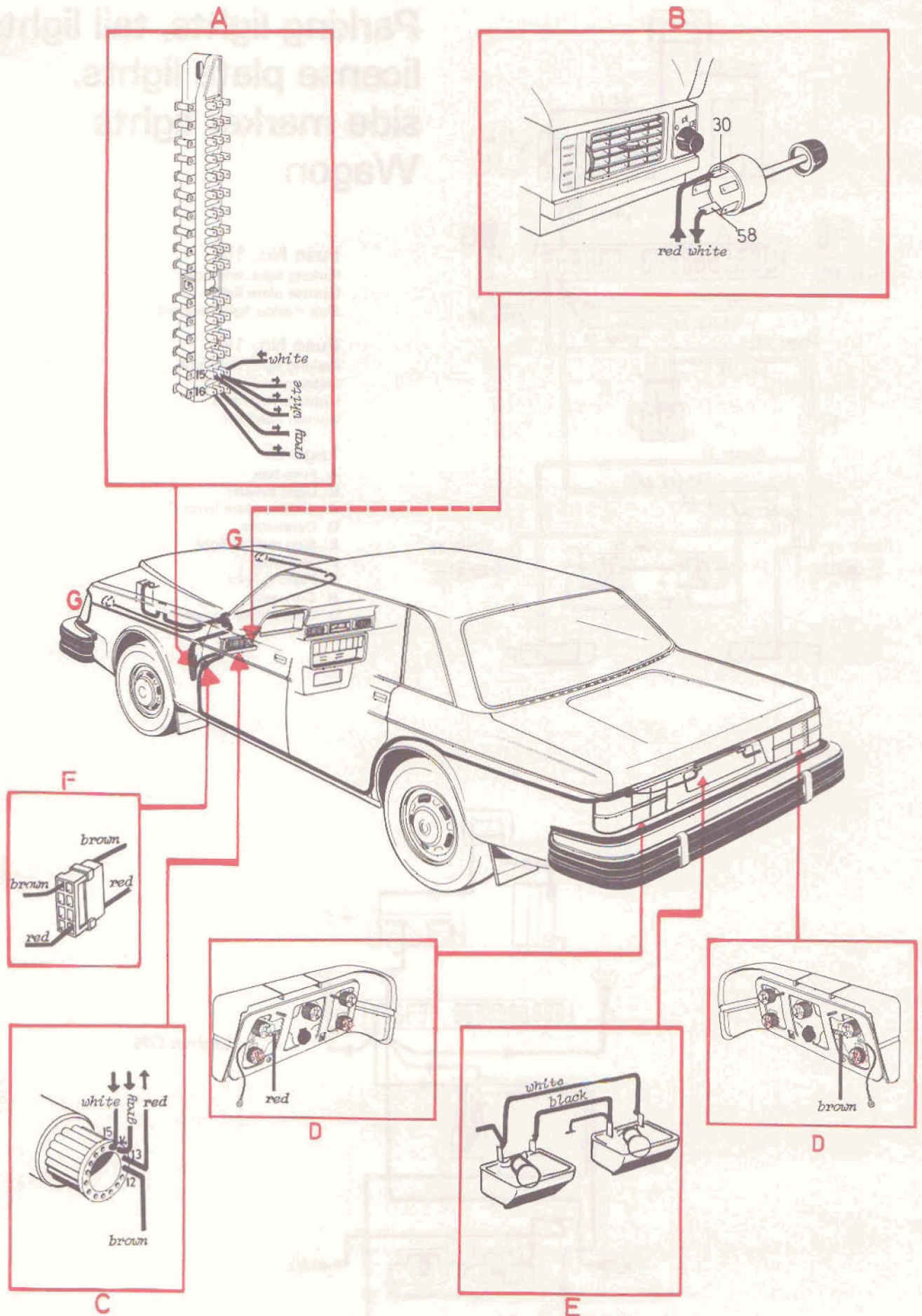


**Fuse No. 15:**  
Parking light, left side  
License plate light

**Fuse No. 16:**  
Parking light, right side  
Instrument lights  
Lights on controls  
Buzzer, headlight

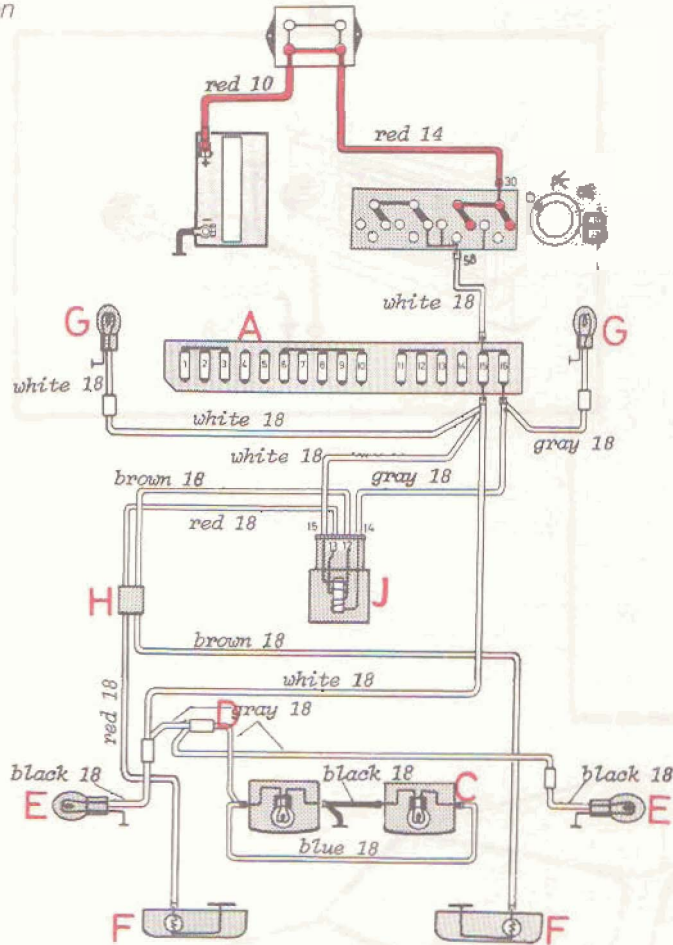
- Legend:**
- A Fuse box
  - B Light switch
  - C Bulb failure sensor
  - D Tail lamp
  - E License plate lamp
  - F Connector
  - G Parking lamp





Parking lights, tail lights,  
license plate lights,  
side marker lights  
Wagon

# Parking lights, tail lights license plate lights, side marker lights Wagon

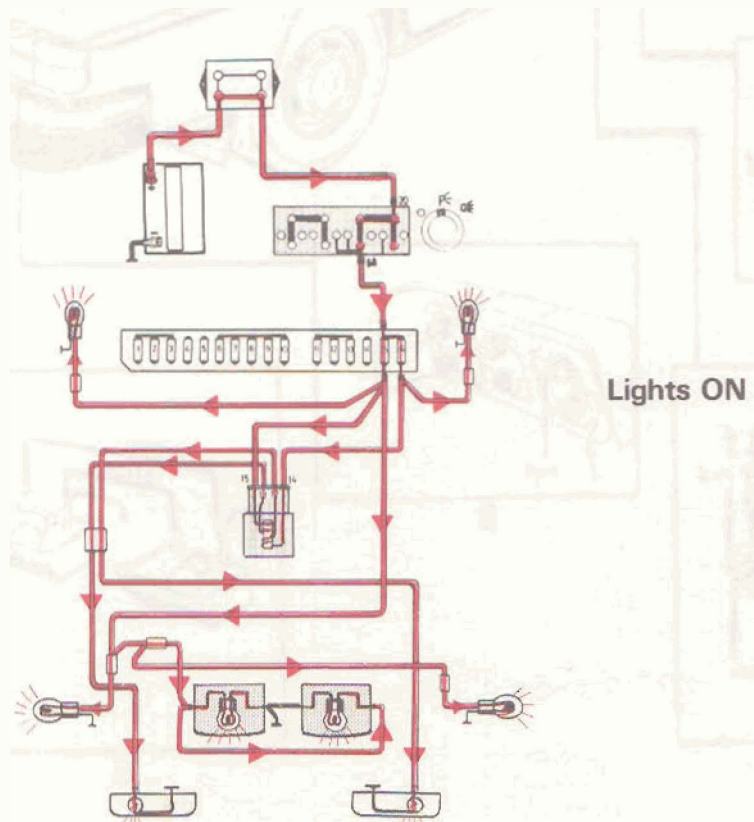


**Fuse No. 15:**  
Parking light, left side  
License plate light  
Side marker light (wagon)

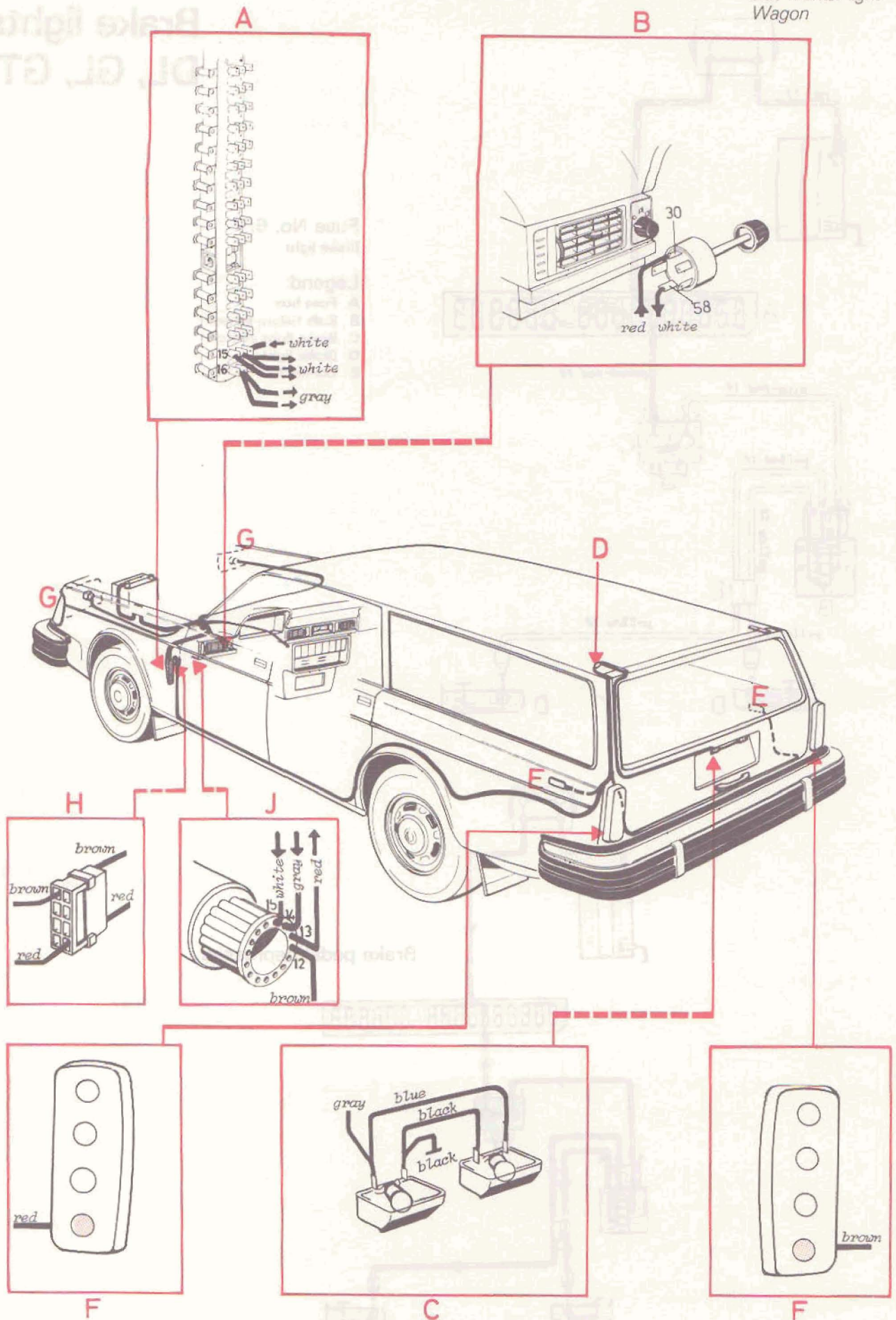
**Fuse No. 16:**  
Parking light, right side  
Instrument lights  
Lights on controls  
Buzzer, headlight

**Legend:**

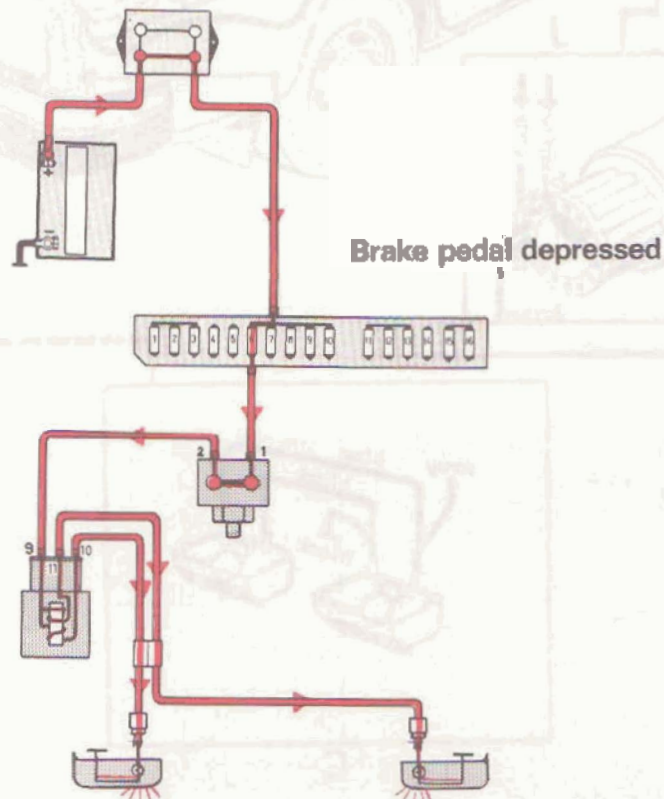
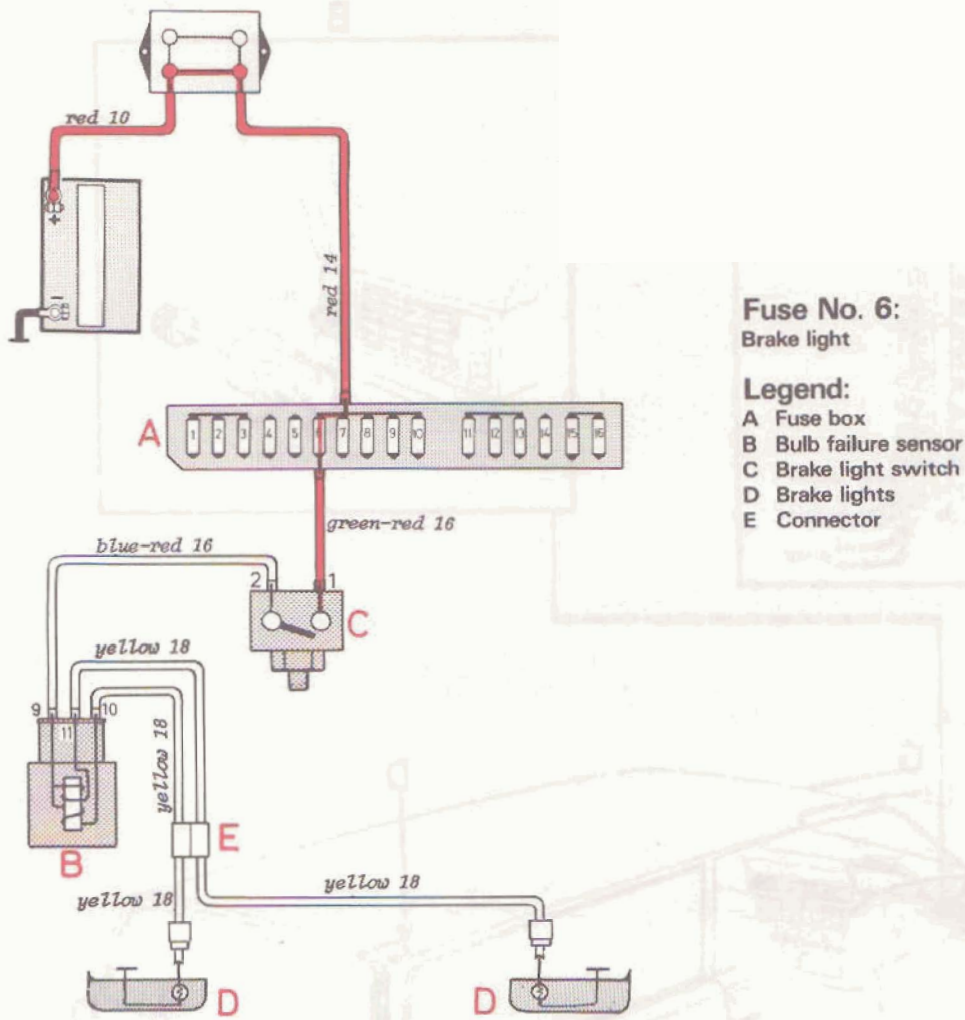
- A Fuse box
- B Light switch
- C License plate lamp
- D Connector
- E Side marker light
- F Tail lamp
- G Parking light
- H Connector
- J Bulb failure sensor

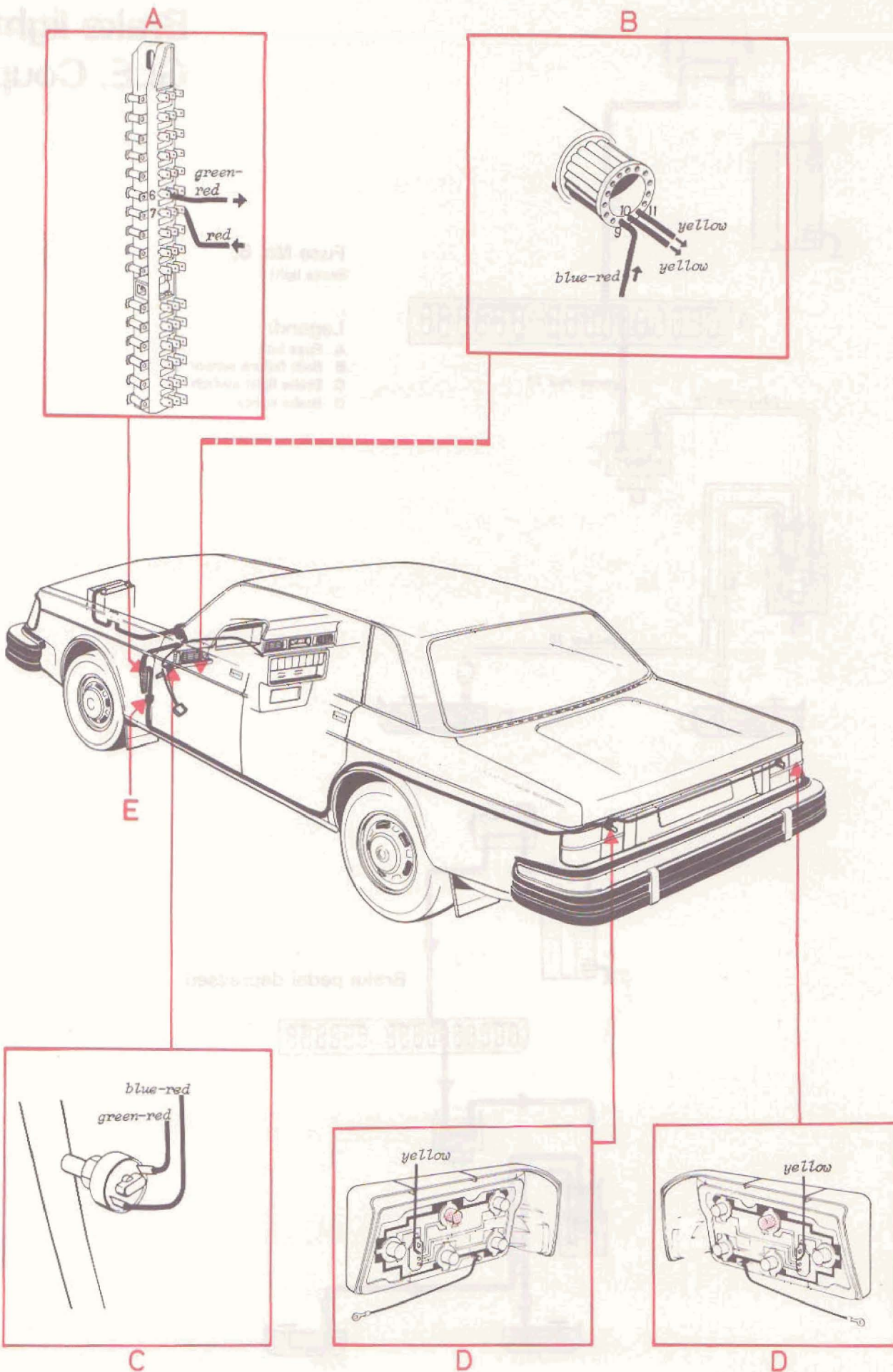


Parking lights, tail lights  
license plate lights,  
side marker light  
Wagon

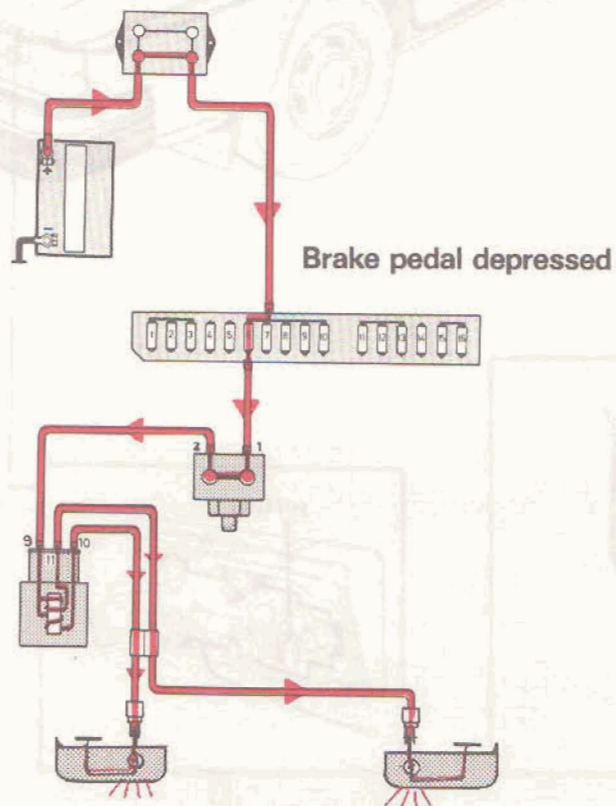
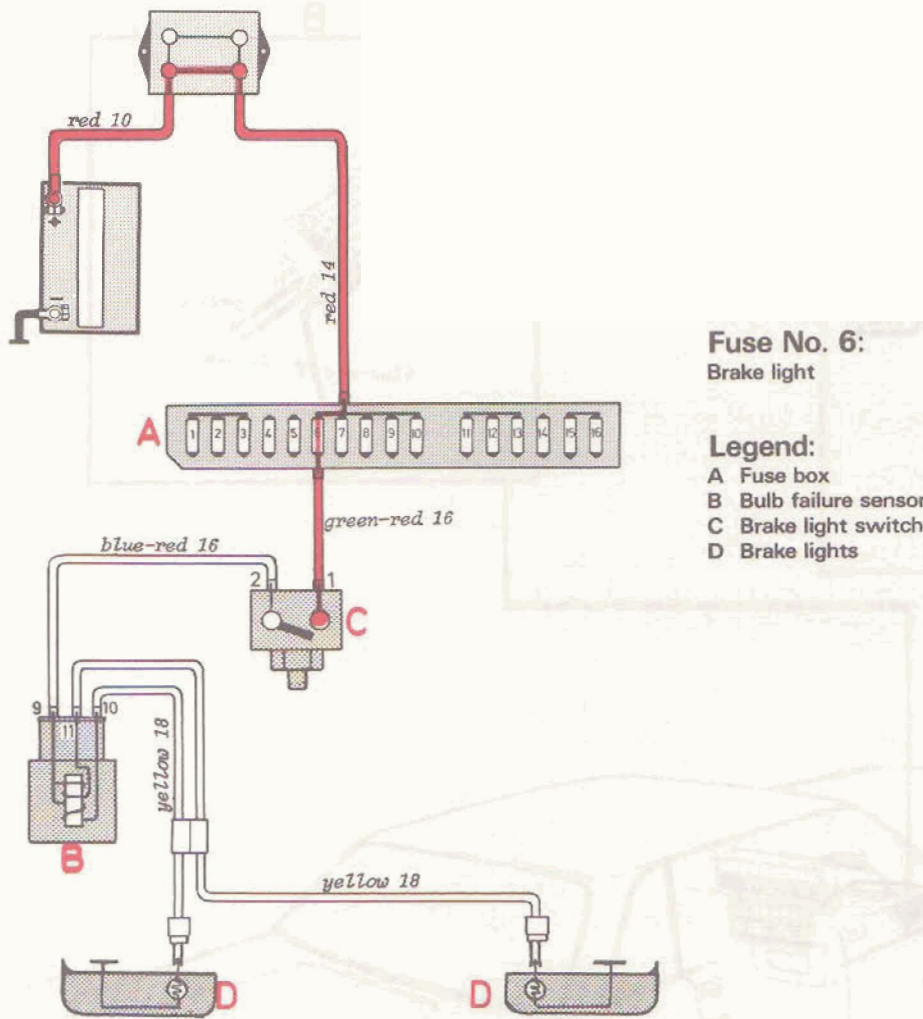


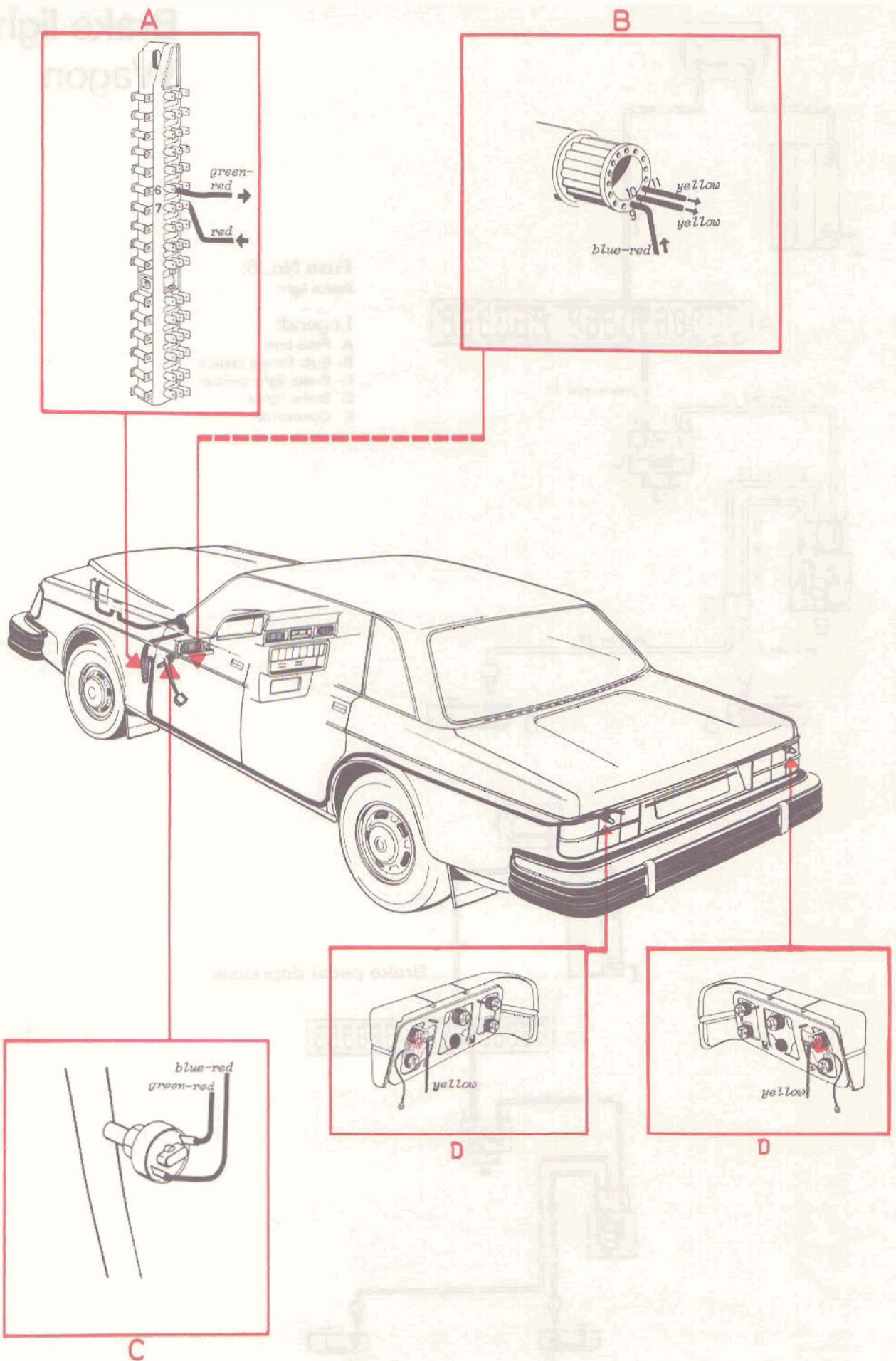
# Brake lights DL, GL, GT



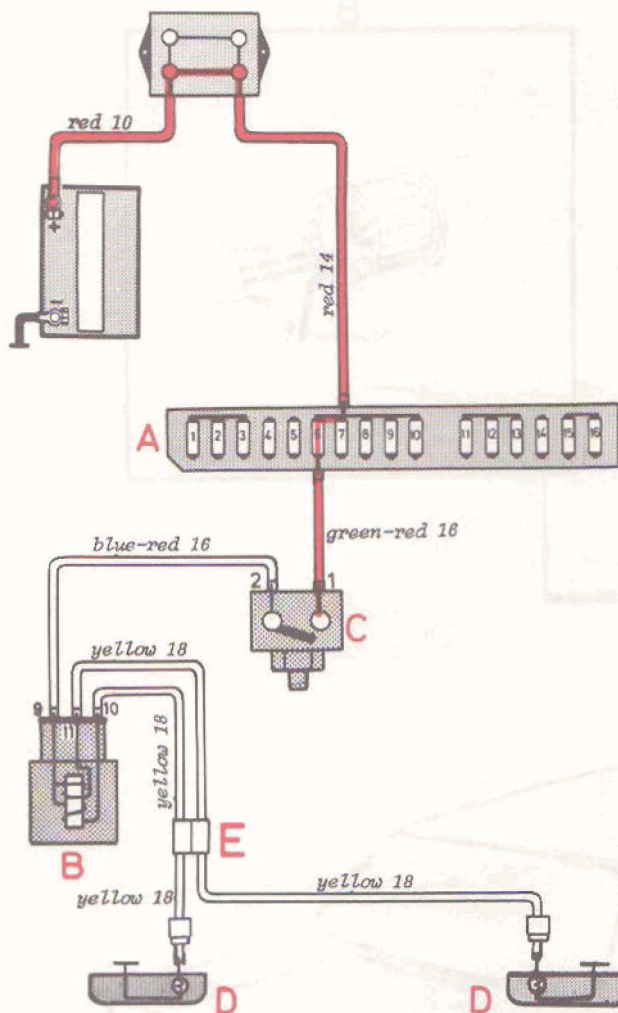


# Brake lights GLE, Coupe





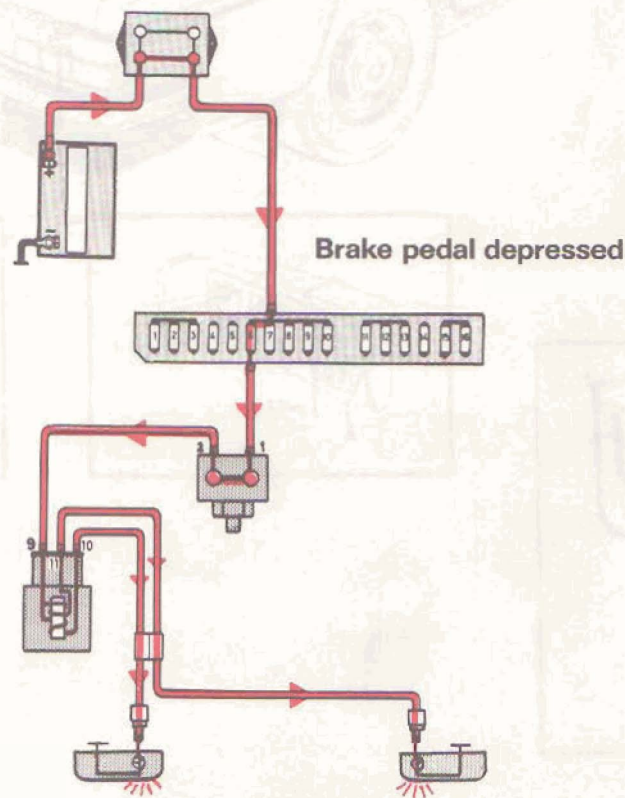
# Brake lights Wagon

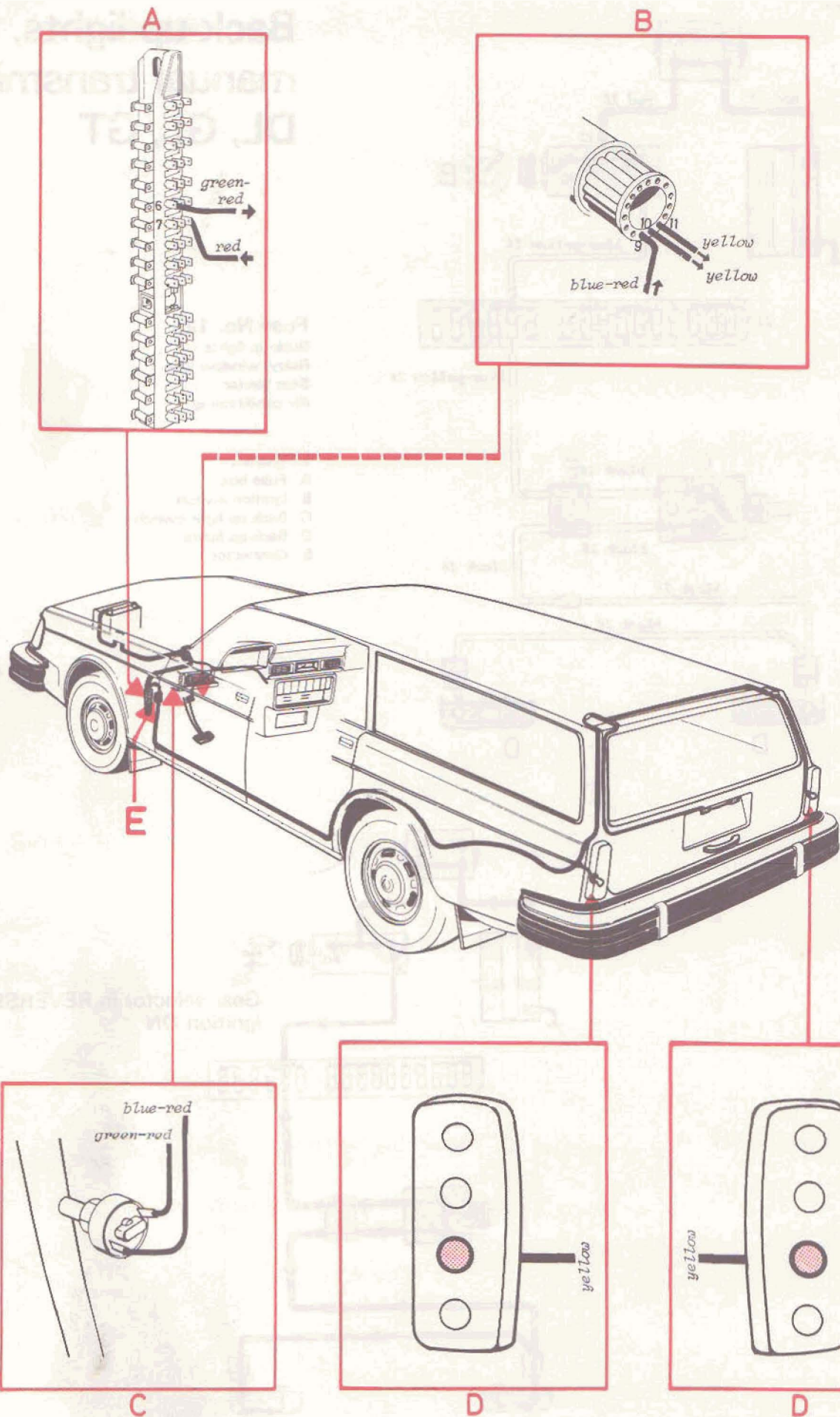


**Fuse No. 6:**  
Brake light

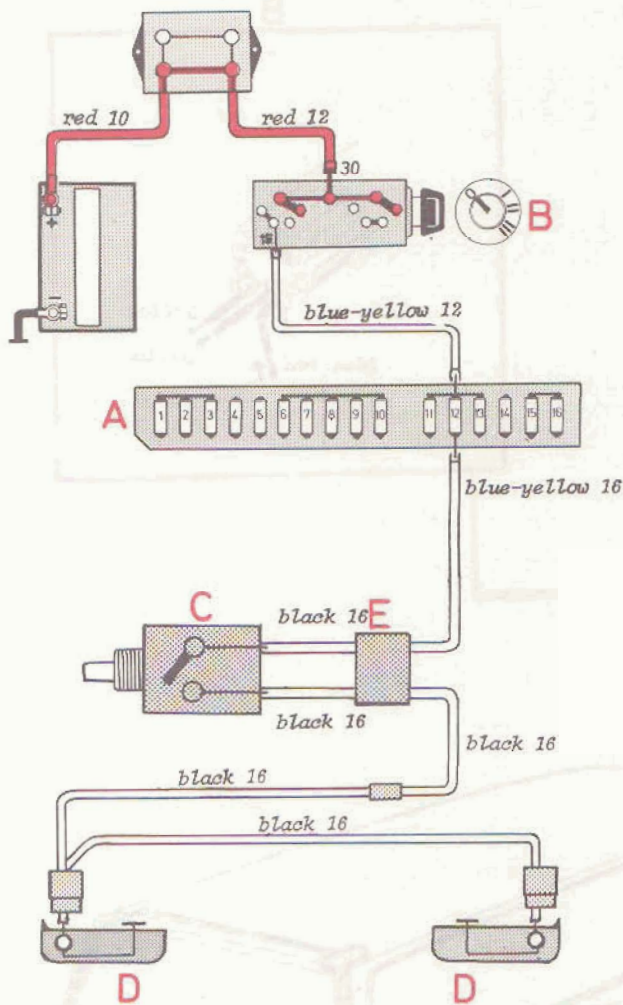
**Legend:**

- A Fuse box
- B Bulb failure sensor
- C Brake light switch
- D Brake lights
- E Connector



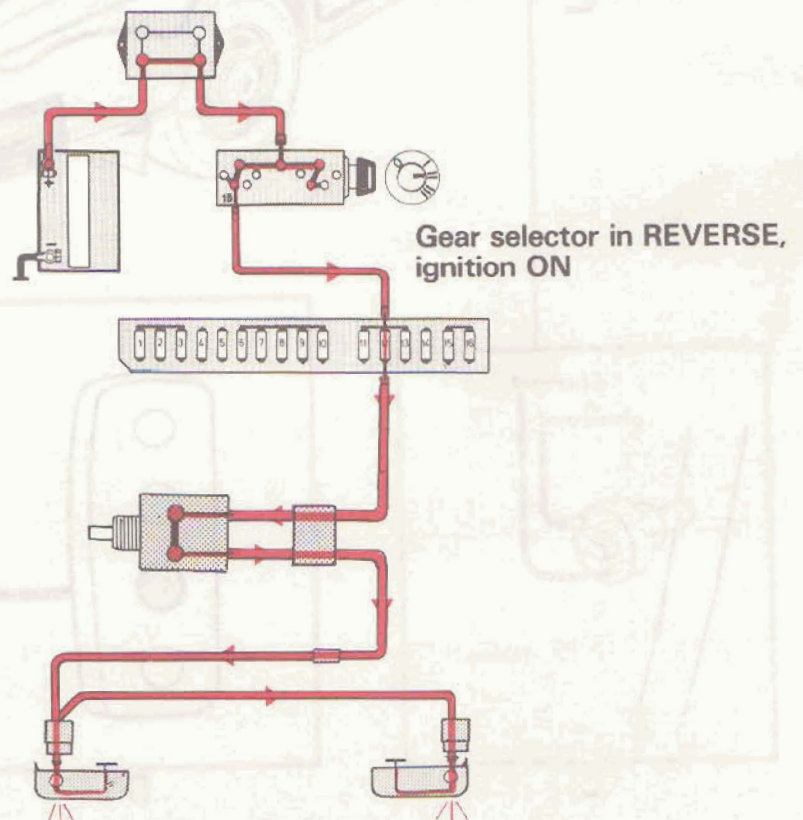


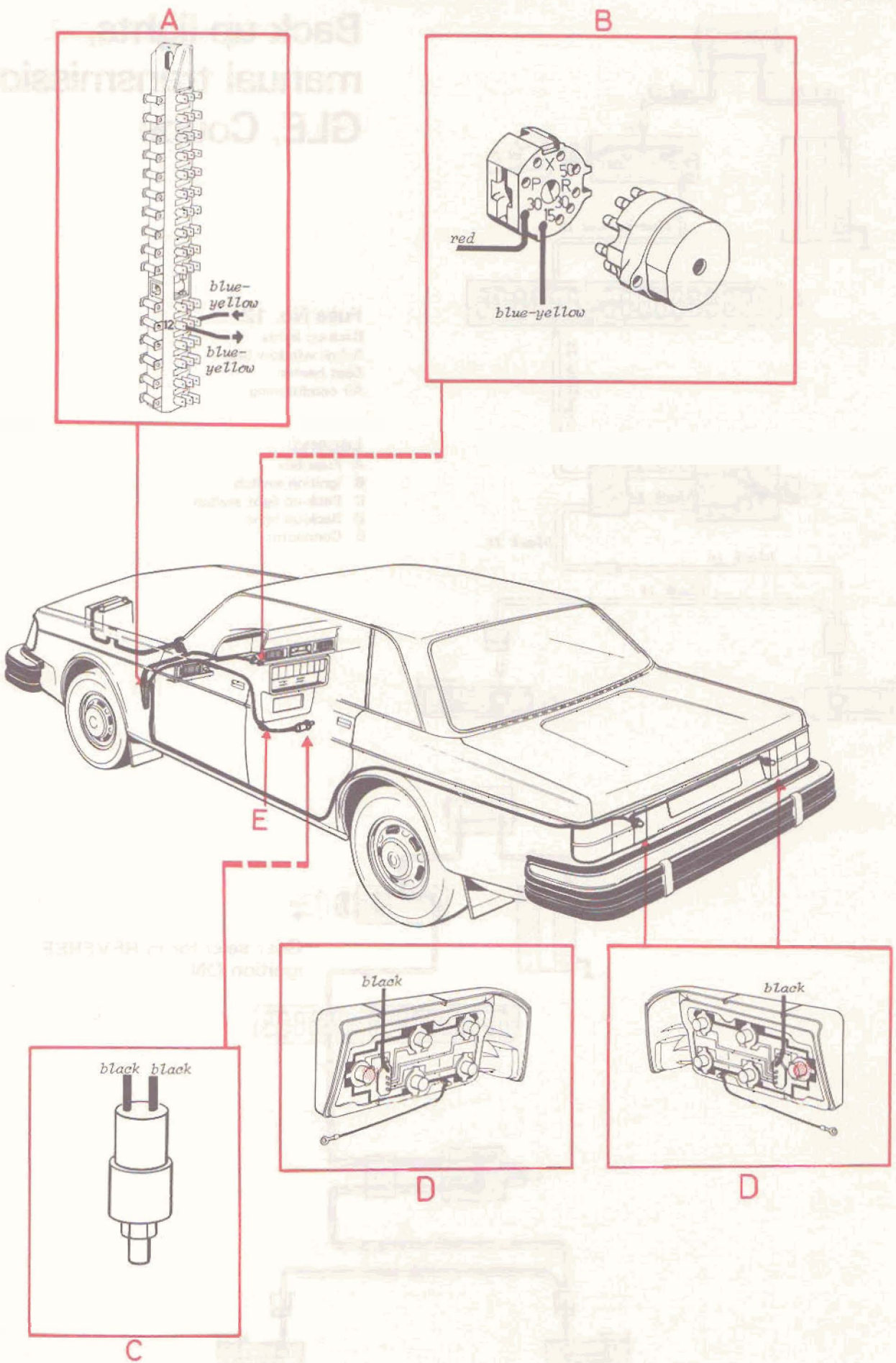
# Back-up lights, manual transmission DL, GL, GT



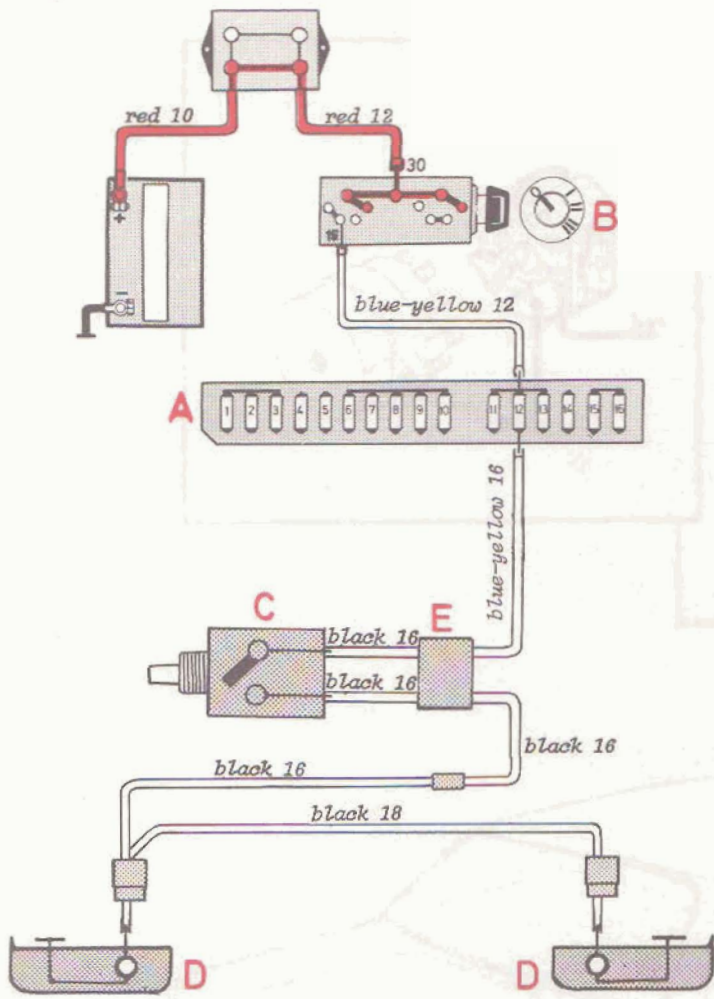
**Fuse No. 12:**  
Back-up lights  
Relay, window lifts  
Seat heater  
Air conditioning

**Legend:**  
A Fuse box  
B Ignition switch  
C Back-up light switch  
D Back-up lights  
E Connector



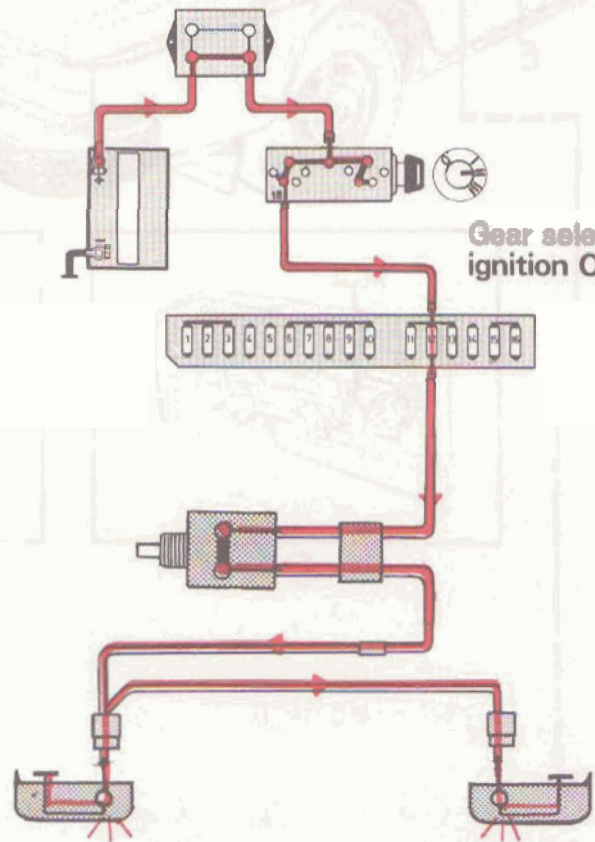


# Back-up lights, manual transmission GLE, Coupe

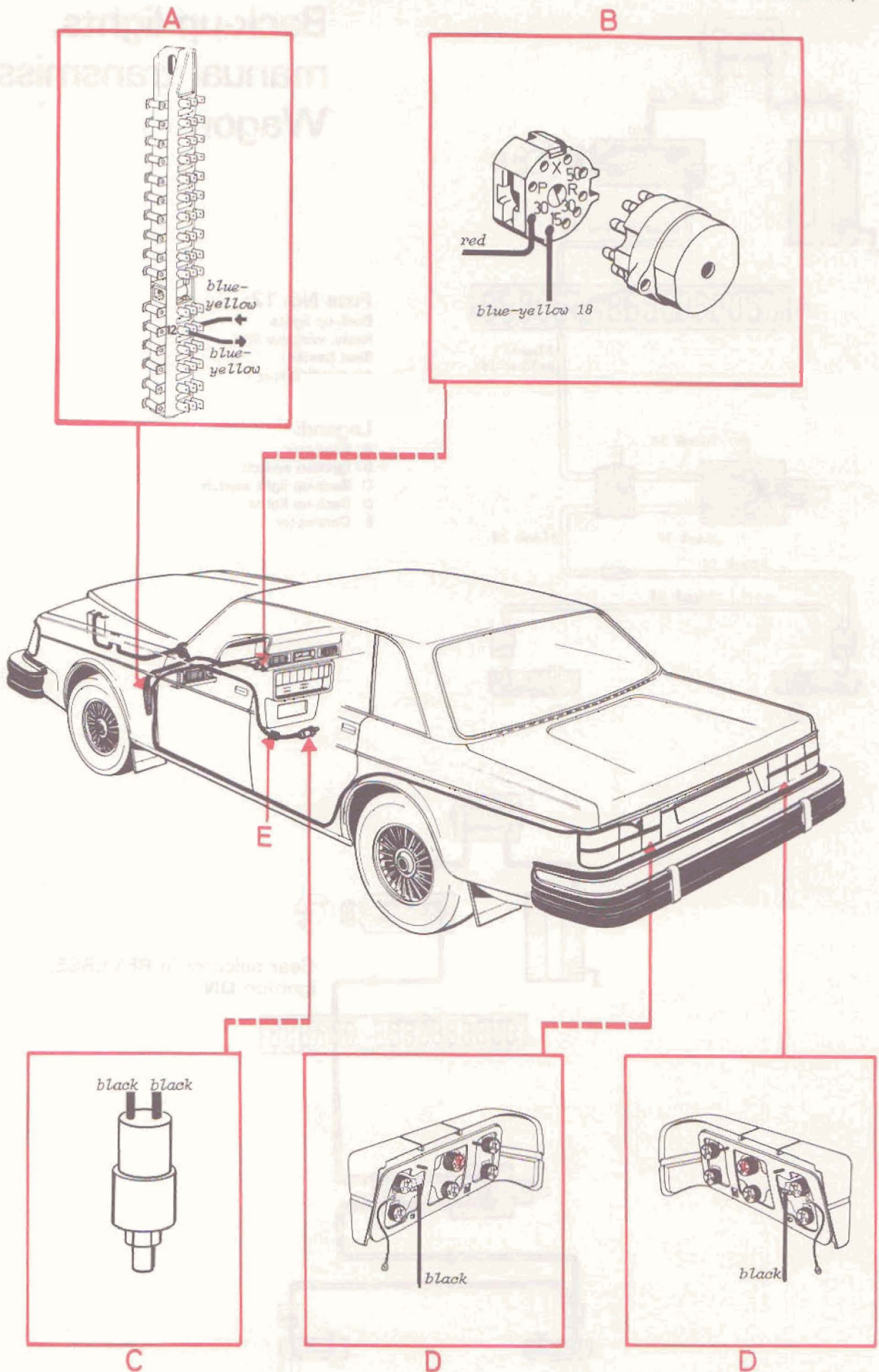


**Fuse No. 12:**  
Back-up lights  
Relay, window lifts  
Seat heater  
Air conditioning

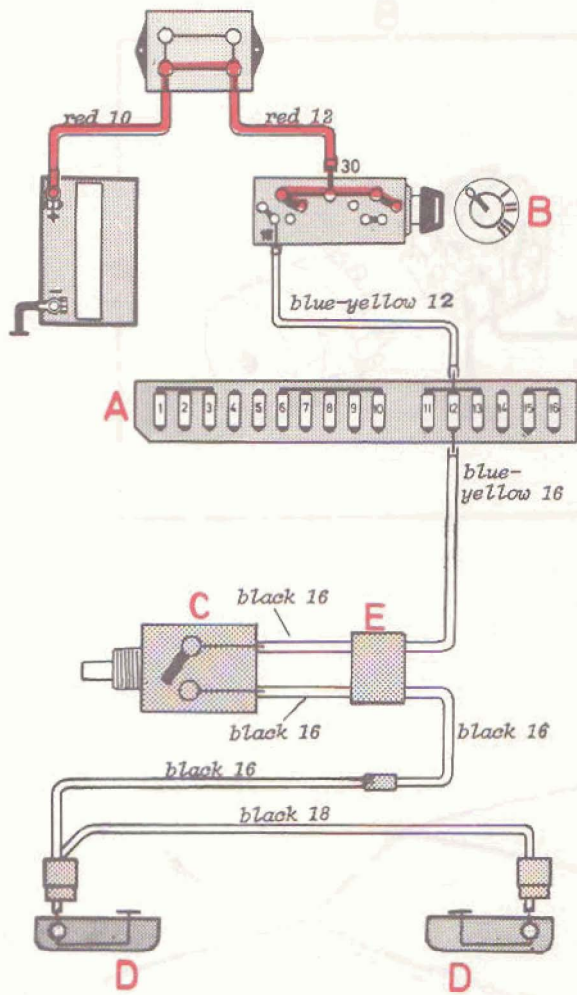
**Legend:**  
A Fuse box  
B Ignition switch  
C Back-up light switch  
D Back-up light  
E Connector



**Gear selector in REVERSE,  
ignition ON**



# Back-up lights, manual transmission Wagon

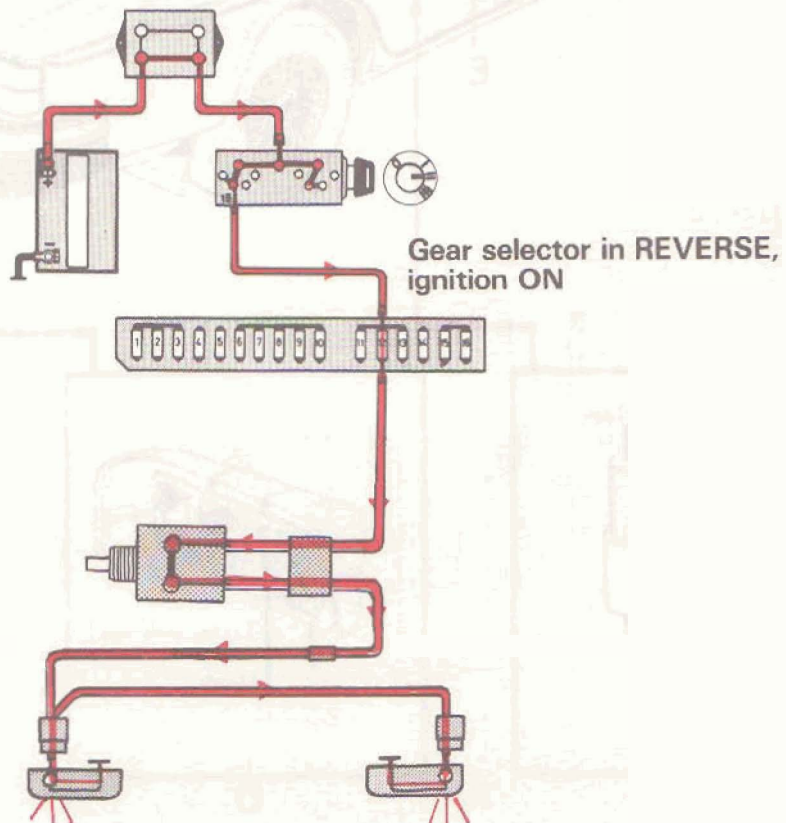


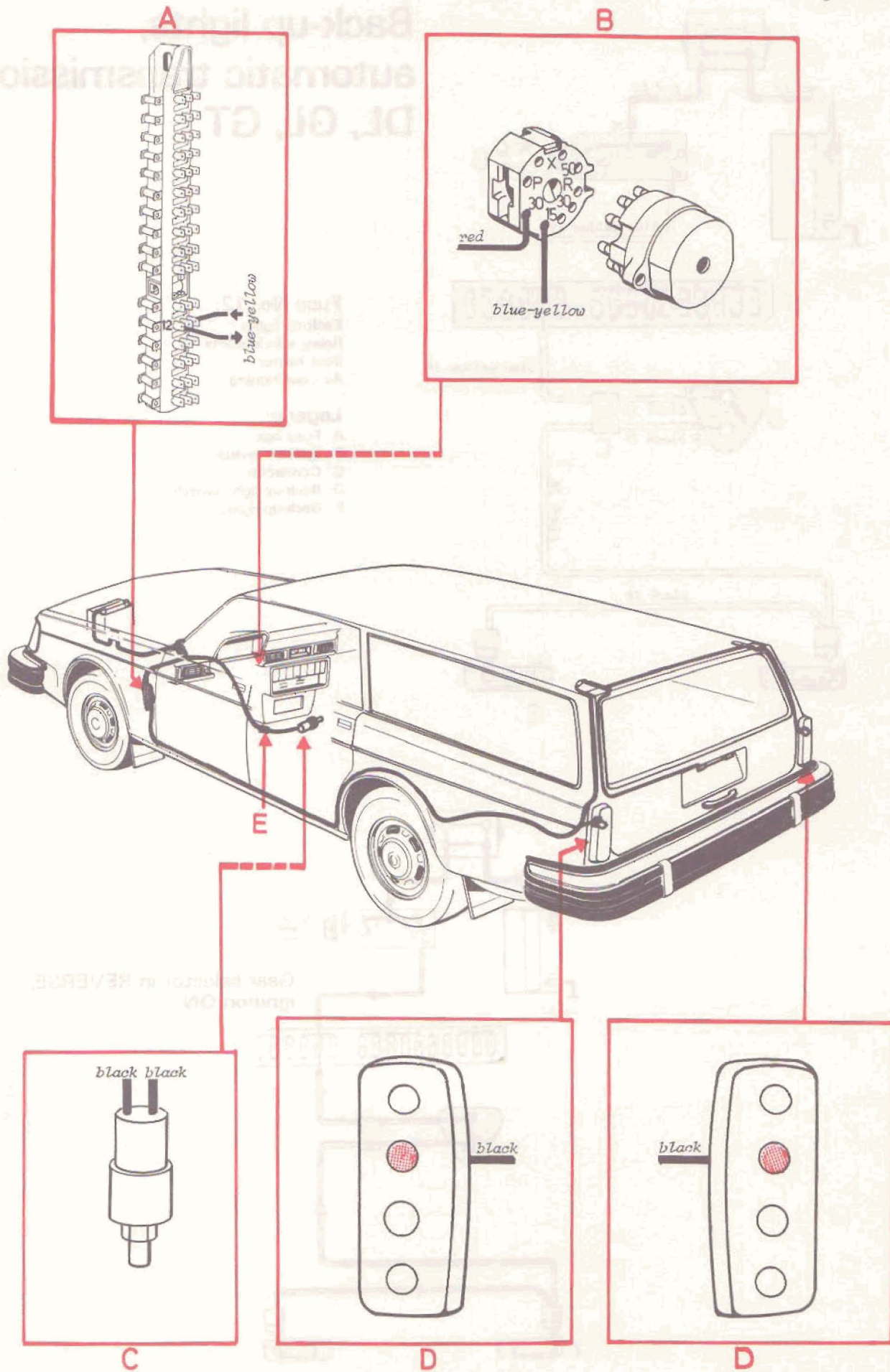
### Fuse No. 12:

Back-up lights  
Relay, window lifts  
Seat heater  
Air conditioning

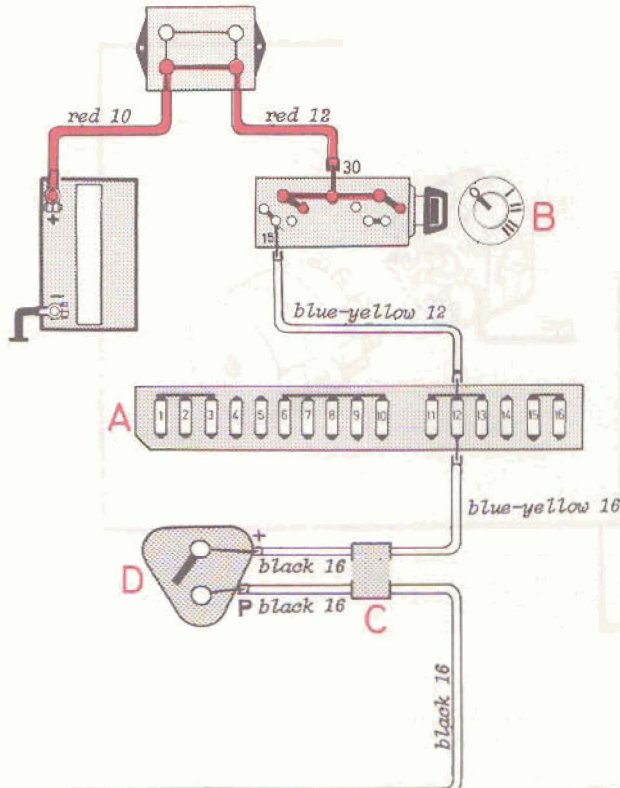
### Legend:

- A Fuse box
- B Ignition switch
- C Back-up light switch
- D Back-up lights
- E Connector



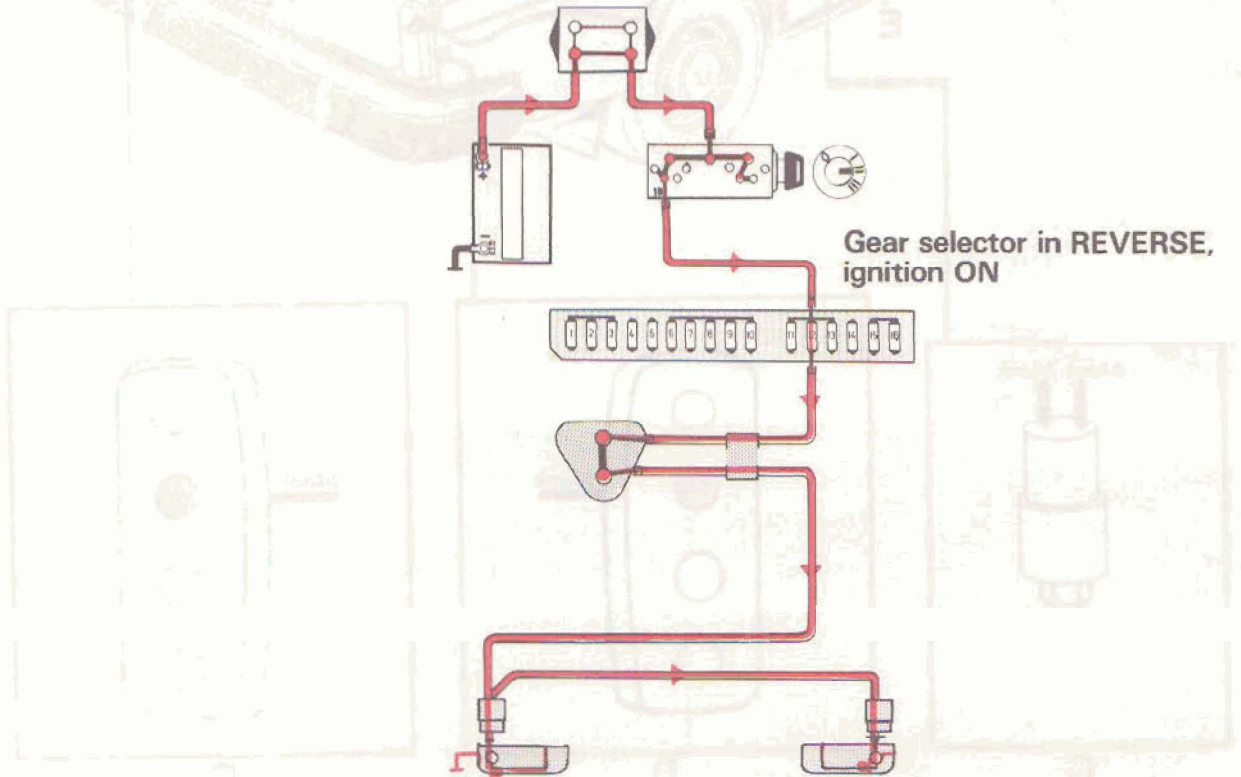
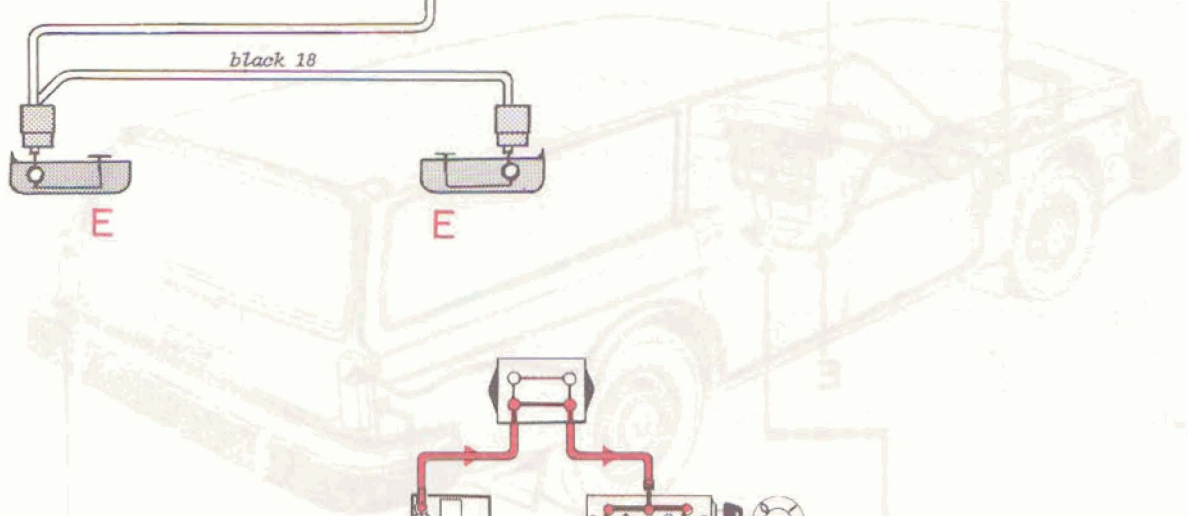


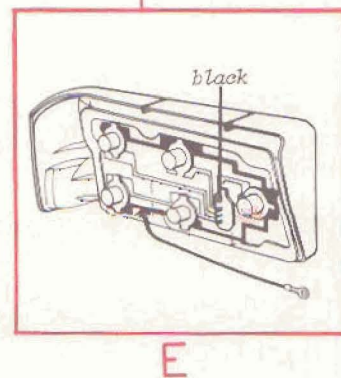
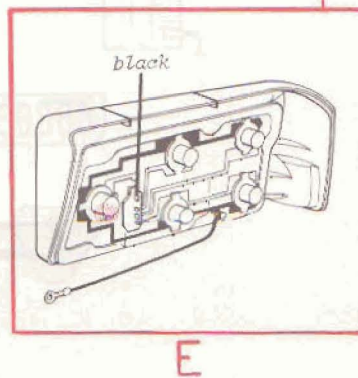
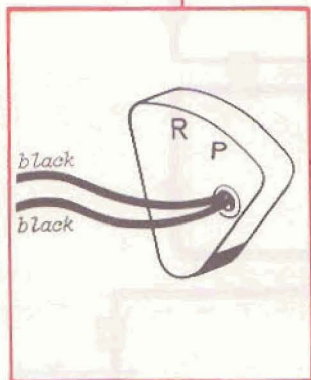
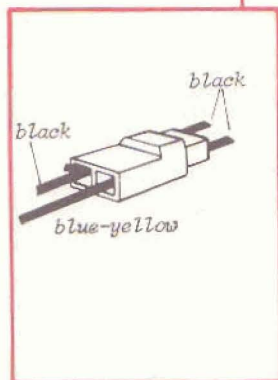
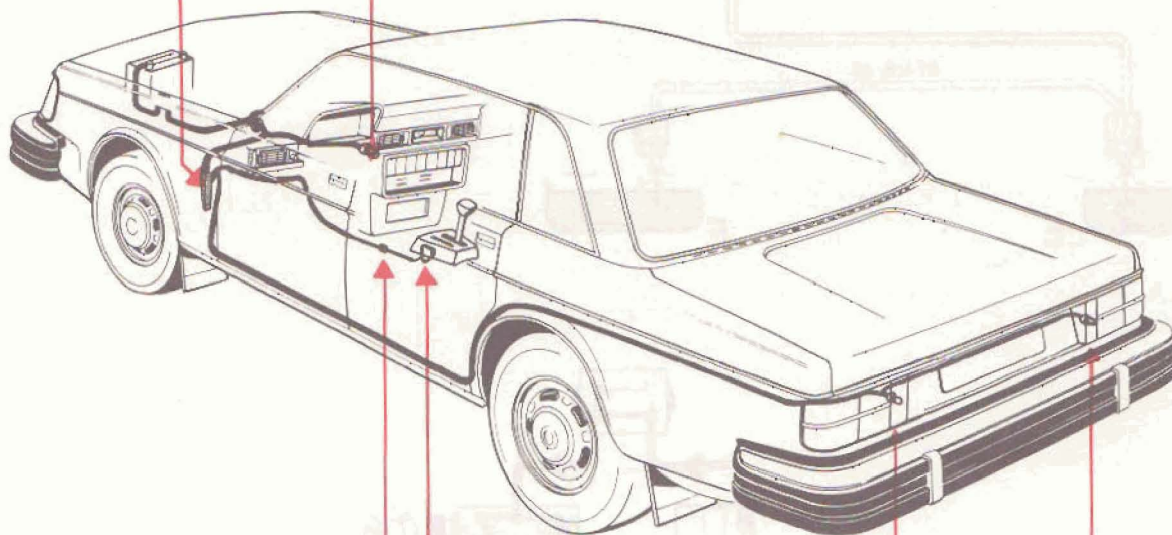
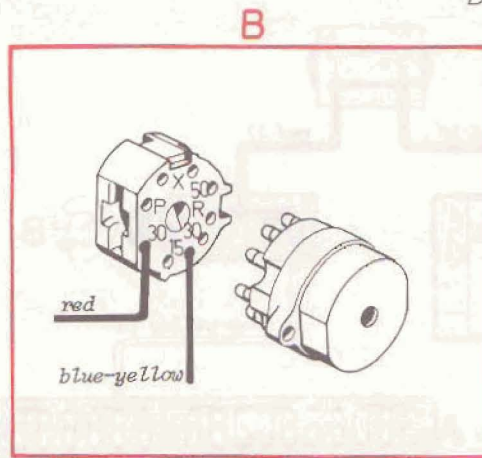
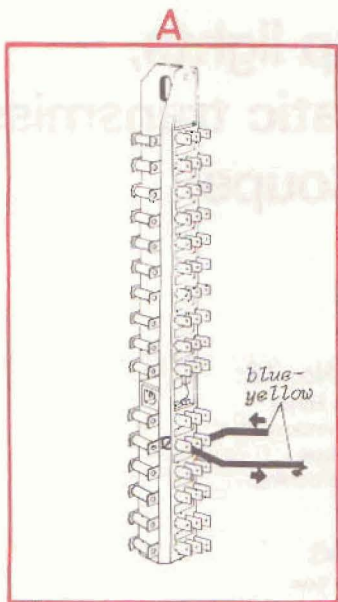
# Back-up lights, automatic transmission DL, GL, GT



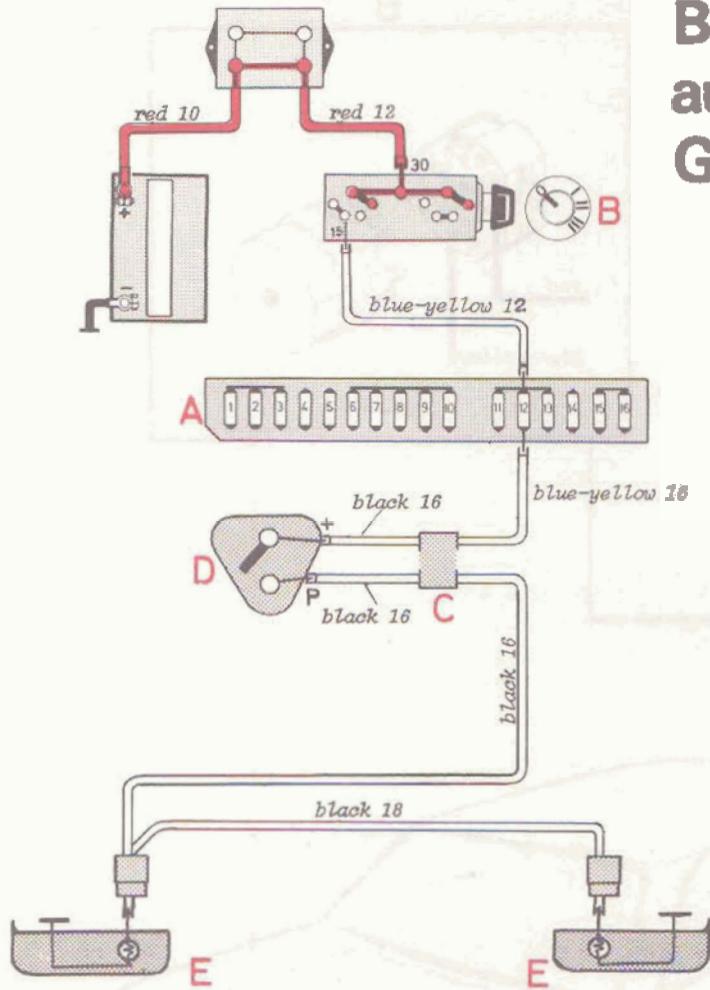
**Fuse No. 12:**  
Back-up lights  
Relay, window lifts  
Seat heater  
Air conditioning

**Legend:**  
A Fuse box  
B Ignition switch  
C Connector  
D Back-up light switch  
E Back-up lights



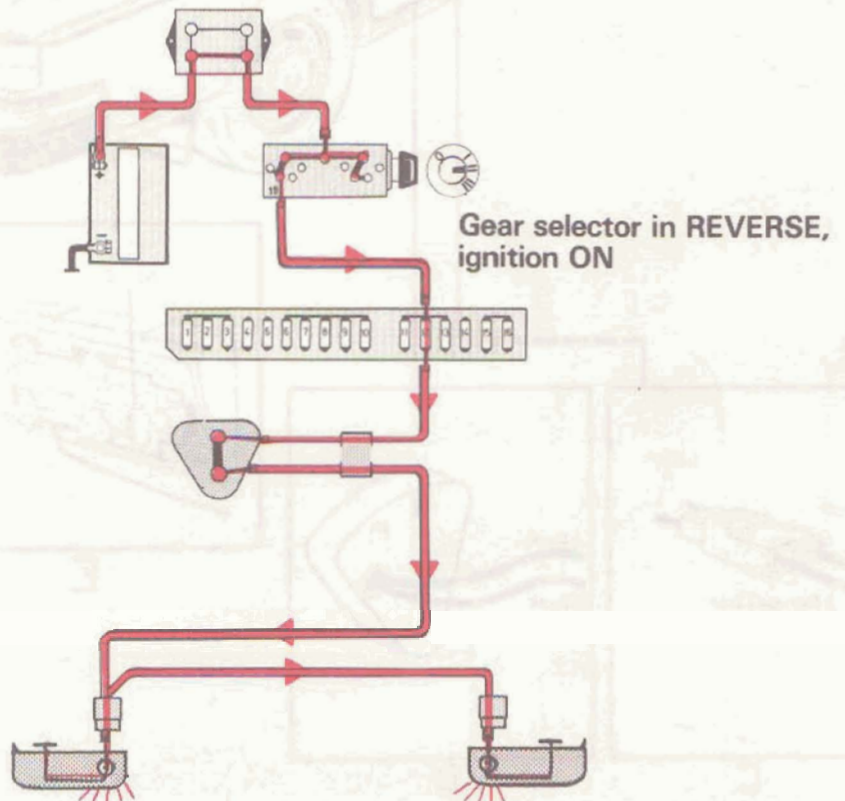


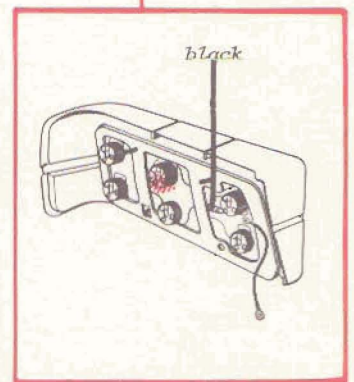
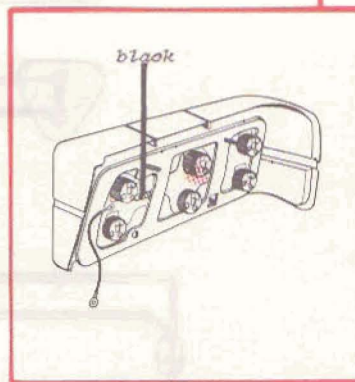
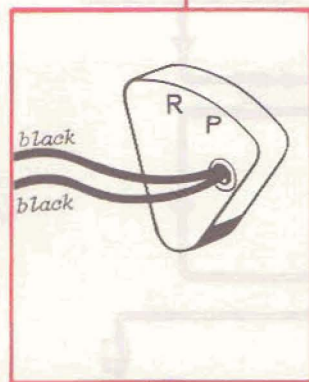
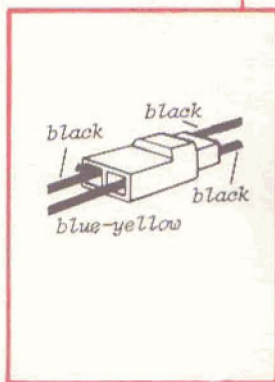
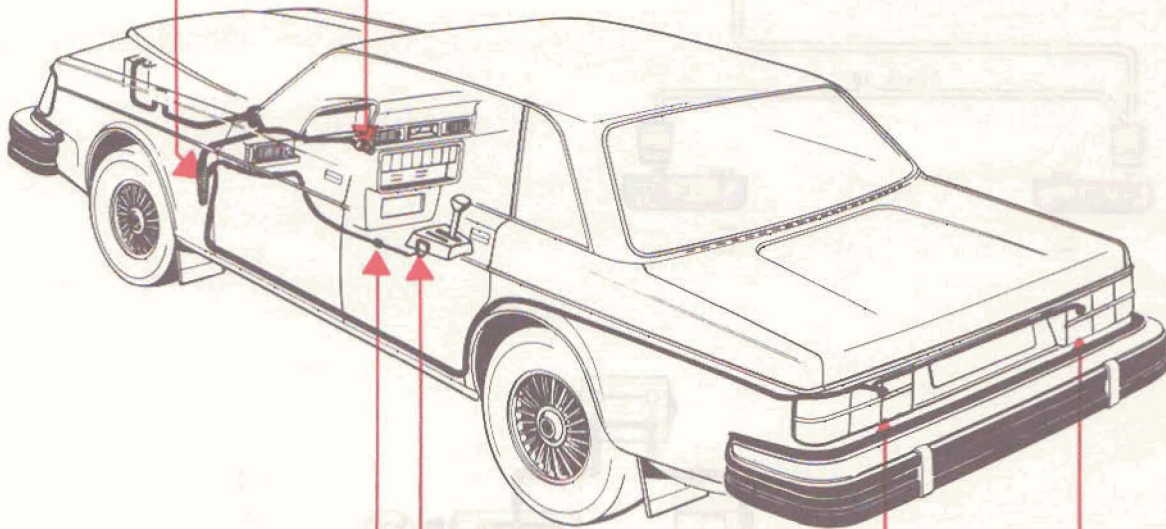
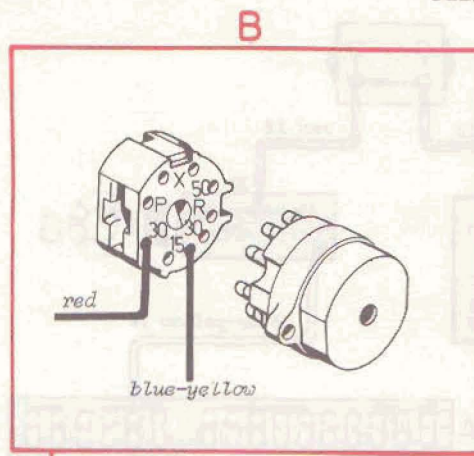
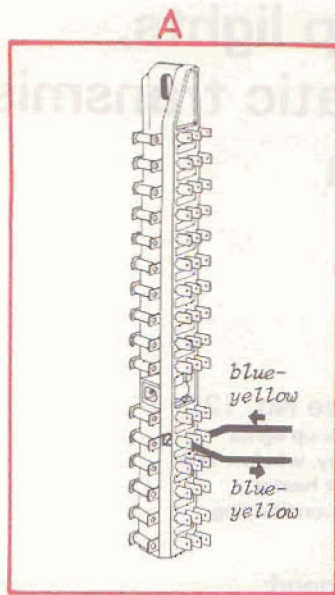
# Back-up lights, automatic transmission GLE, Coupe



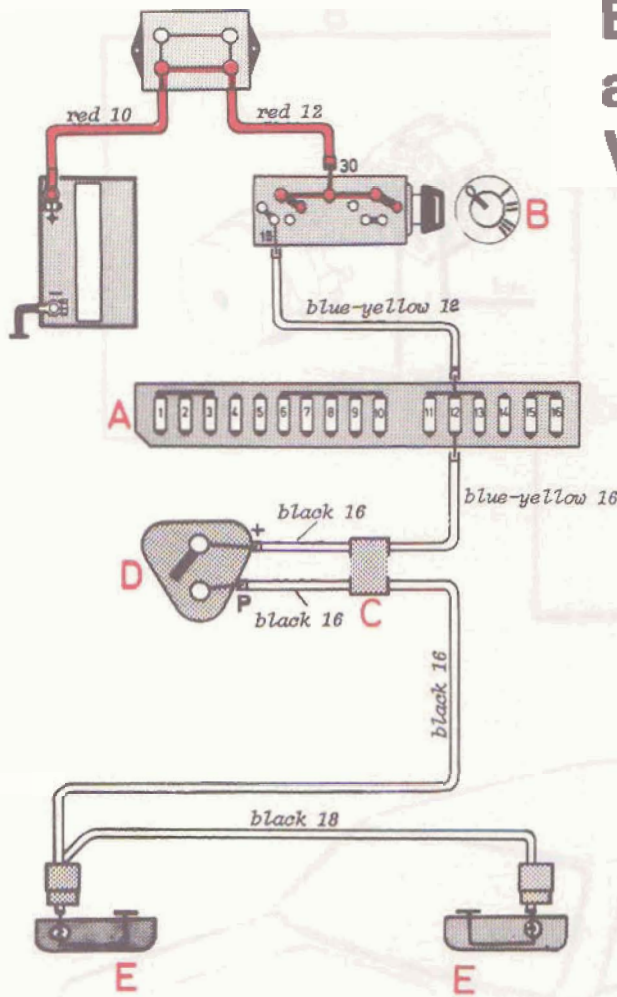
**Fuse No. 12:**  
Back-up lights  
Relay, window lifts  
Seat heater  
Air conditioning

**Legend:**  
A Fuse box  
B Ignition switch  
C Connector  
D Back-up light switch  
E Back-up lights



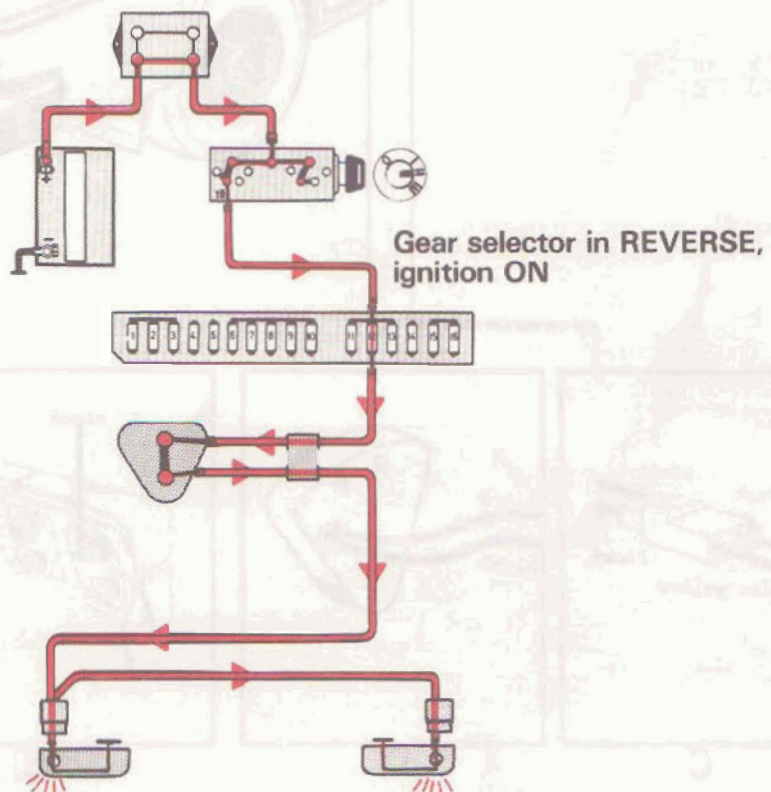


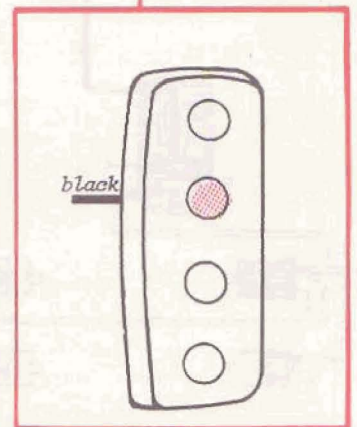
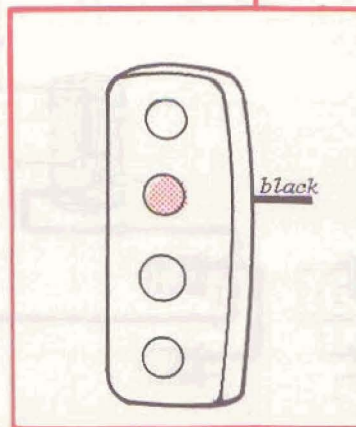
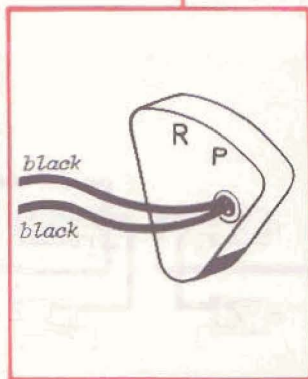
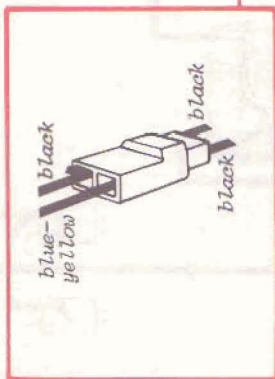
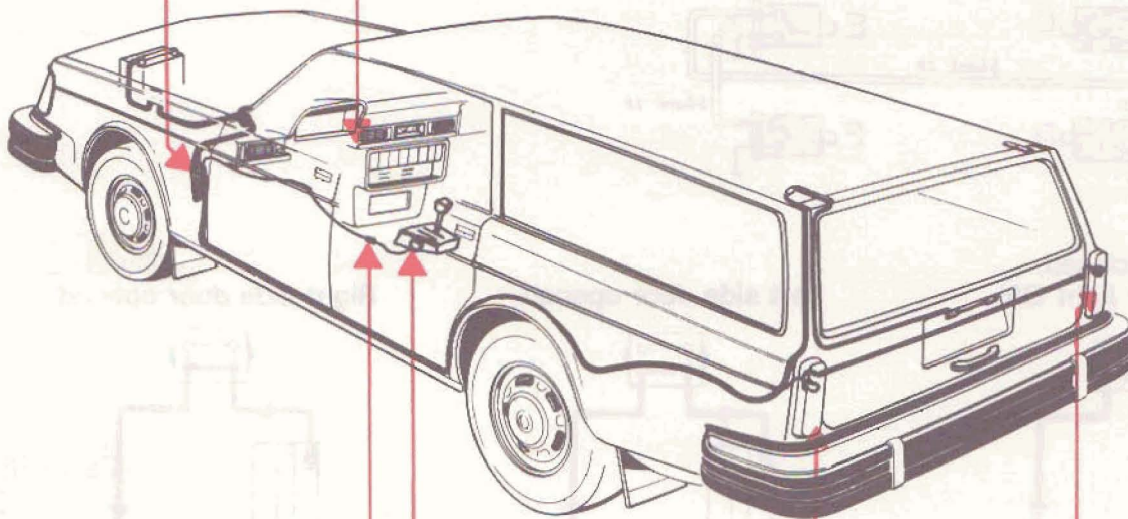
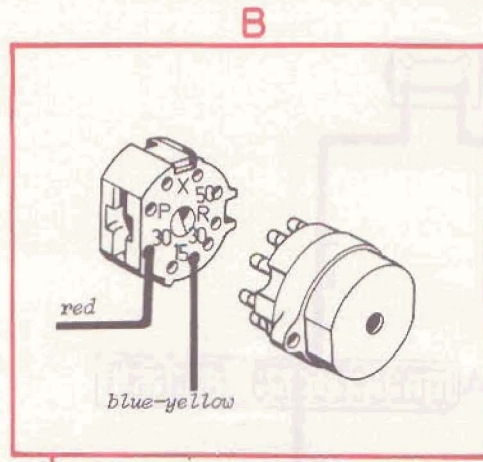
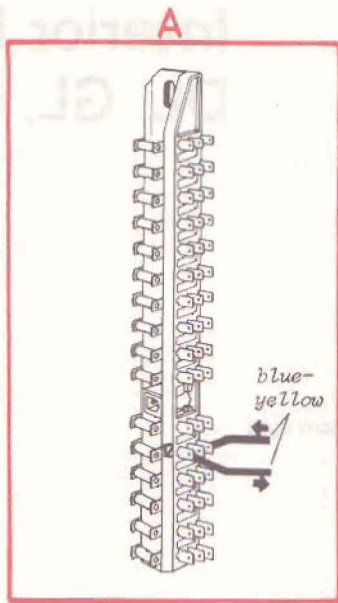
# Back-up lights, automatic transmission Wagon



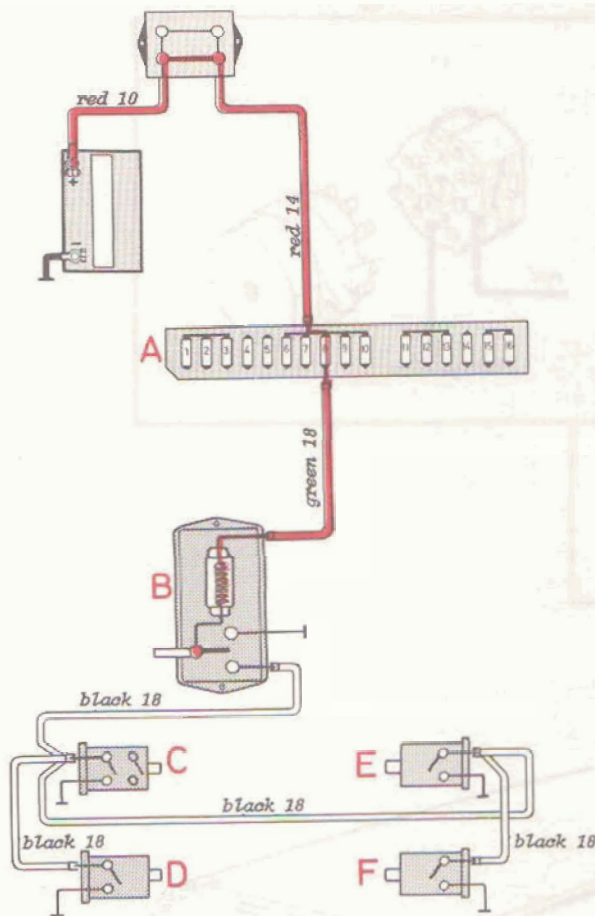
**Fuse No. 12:**  
Back-up lights  
Relay, window lifts  
Seat heater  
Air conditioning

**Legend:**  
A Fuse box  
B Ignition switch  
C Connector  
D Back-up light switch  
E Back-up light





# Interior light DL, GL, GT



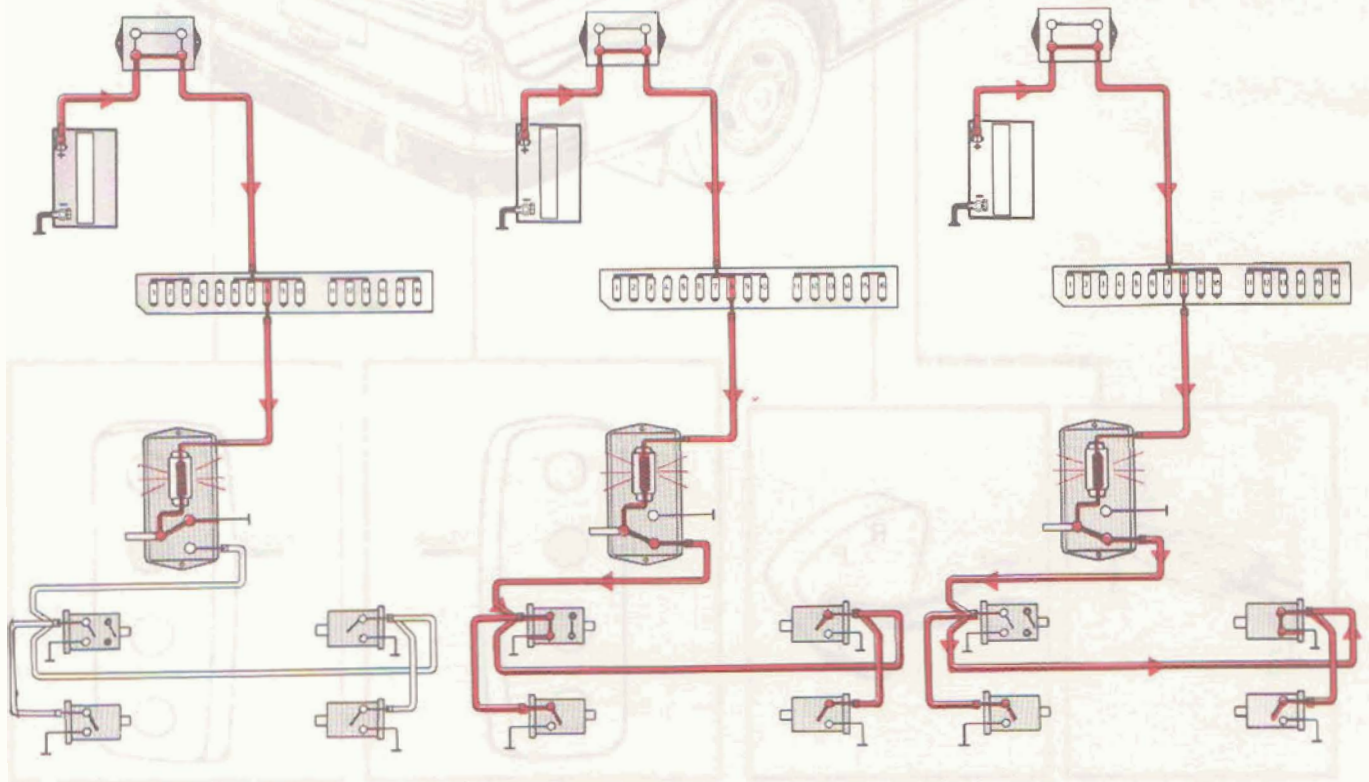
**Fuse No. 8:**  
Interior light  
Glove box light  
Trunk light  
Engine compartment light  
Clock

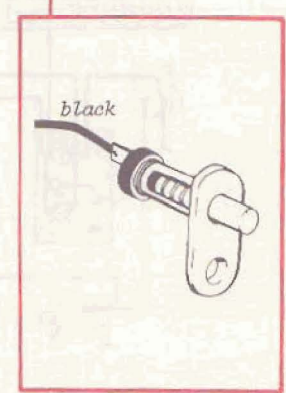
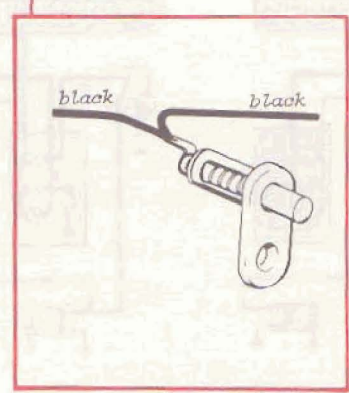
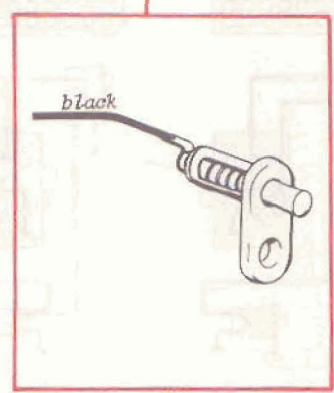
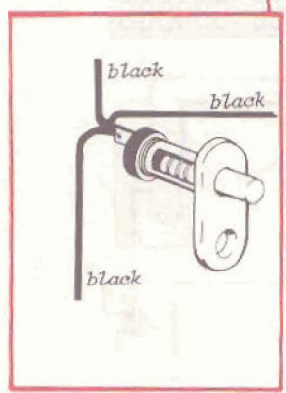
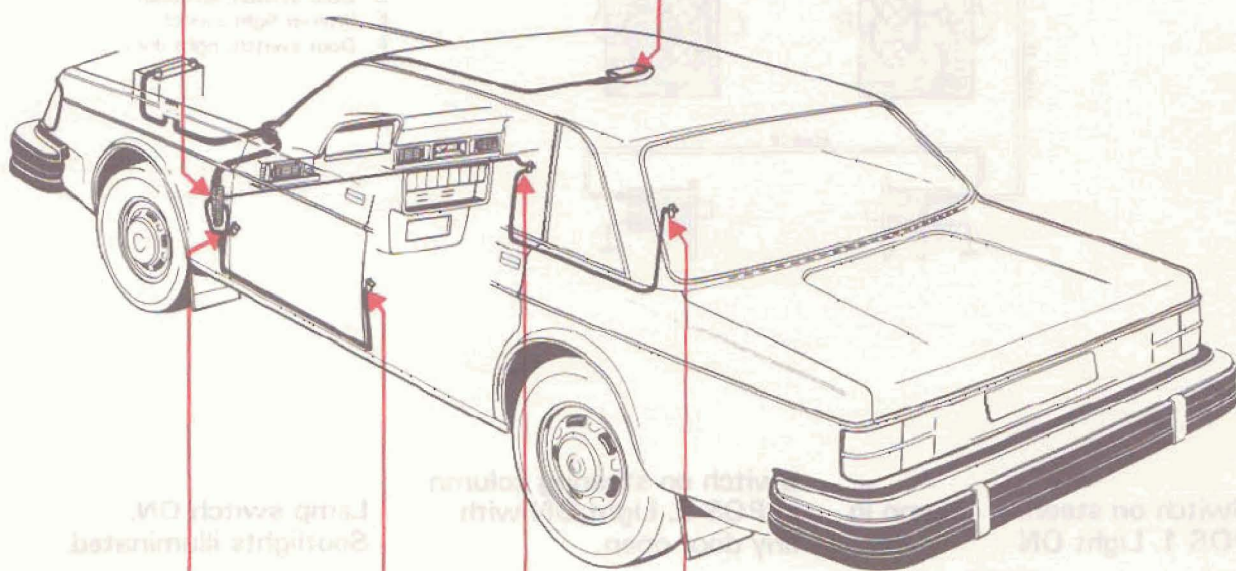
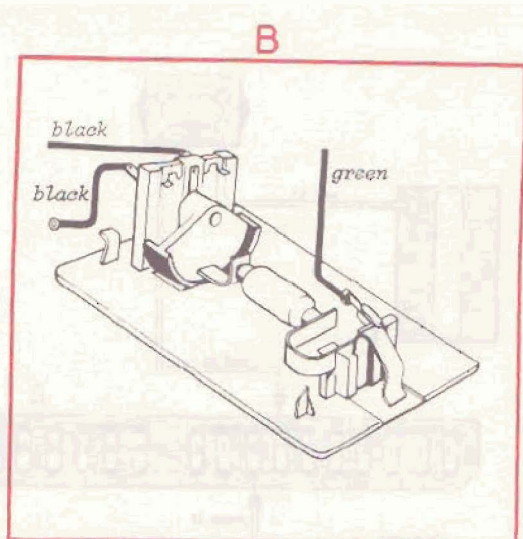
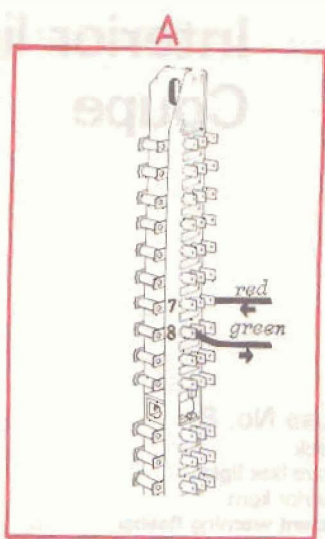
**Legend:**  
A Fuse box  
B Interior light  
Door switches:  
C Front left  
D Rear left  
E Front right  
F Rear right

**Doors closed,  
interior light ON**

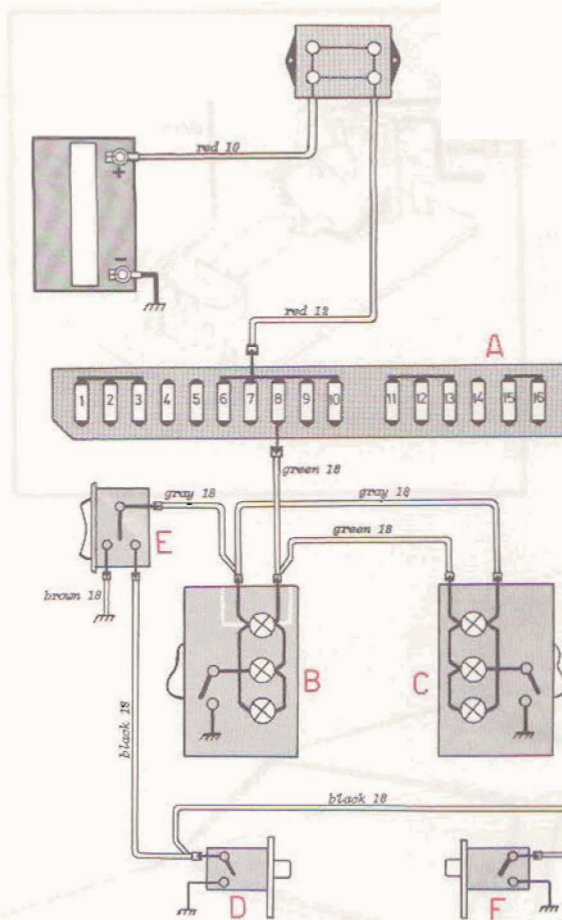
**Left side door opened**

**Right side door opened**





# Interior light Coupe



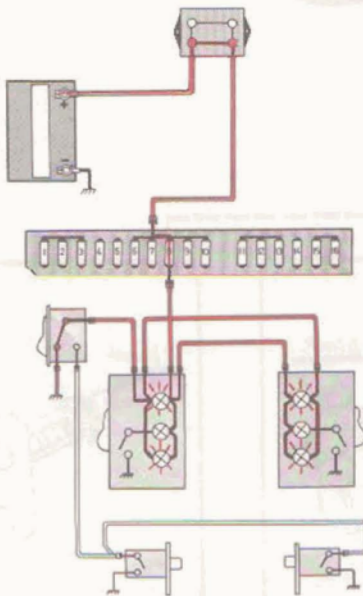
## Fuse No. 8

Clock  
Glove box light  
Interior light  
Hazard warning flasher

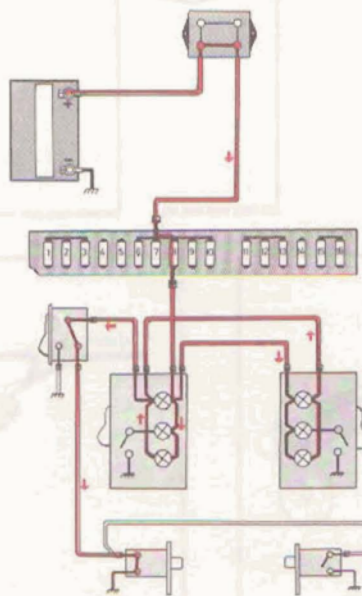
## Legend:

- A Fuse box
- B Interior light, left side
- C Interior light, right side
- D Door switch, left door
- E Interior light switch
- F Door switch, right door

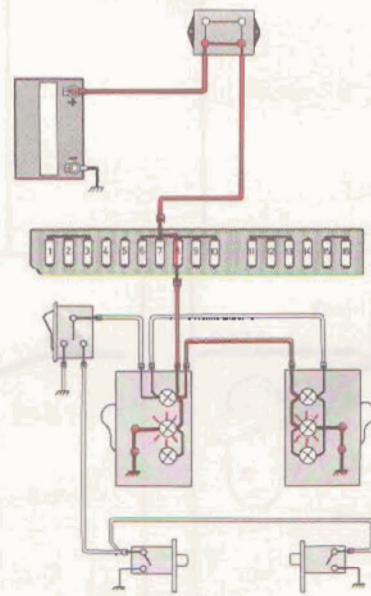
Switch on steering column  
in POS 1. Light ON

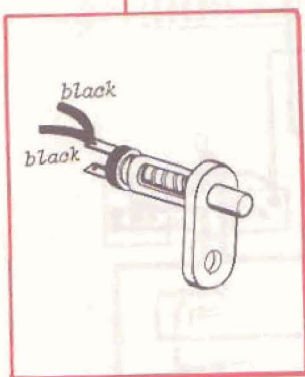
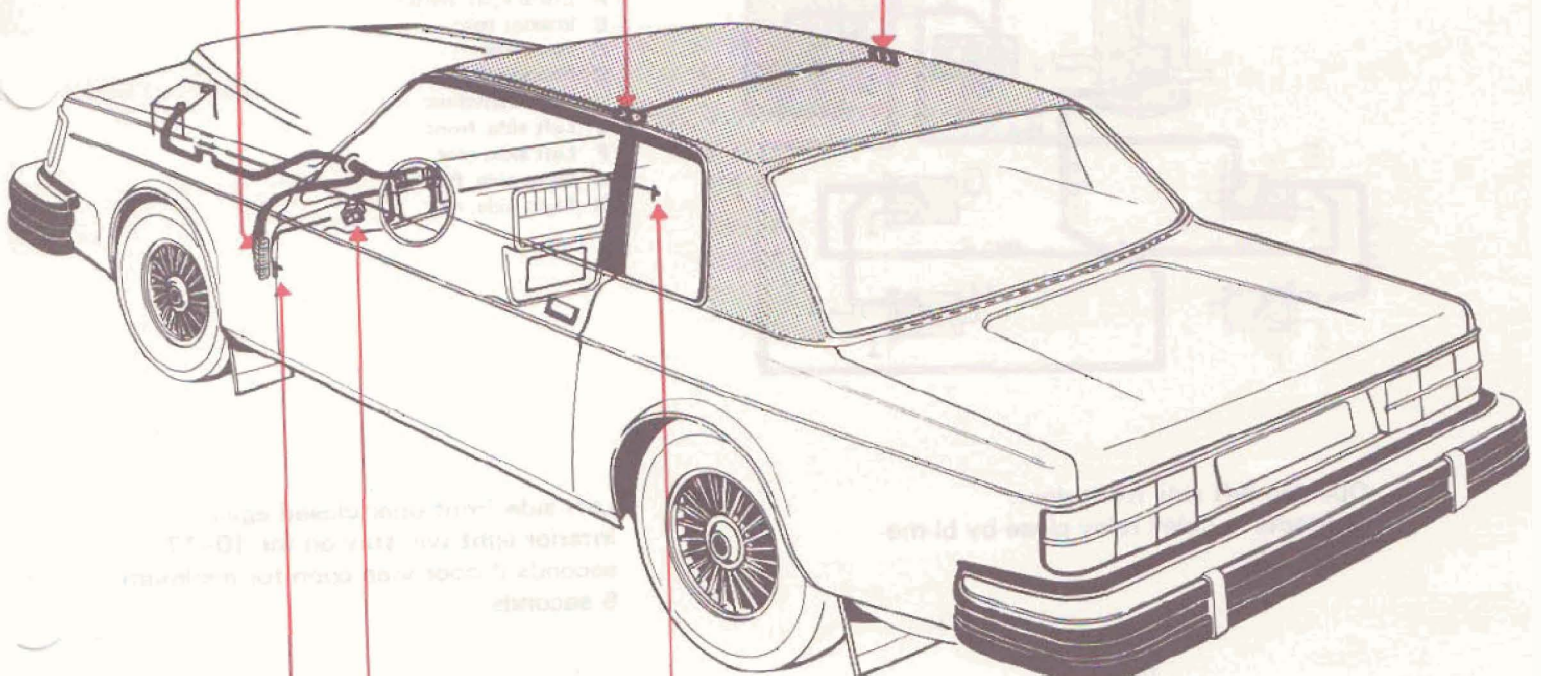
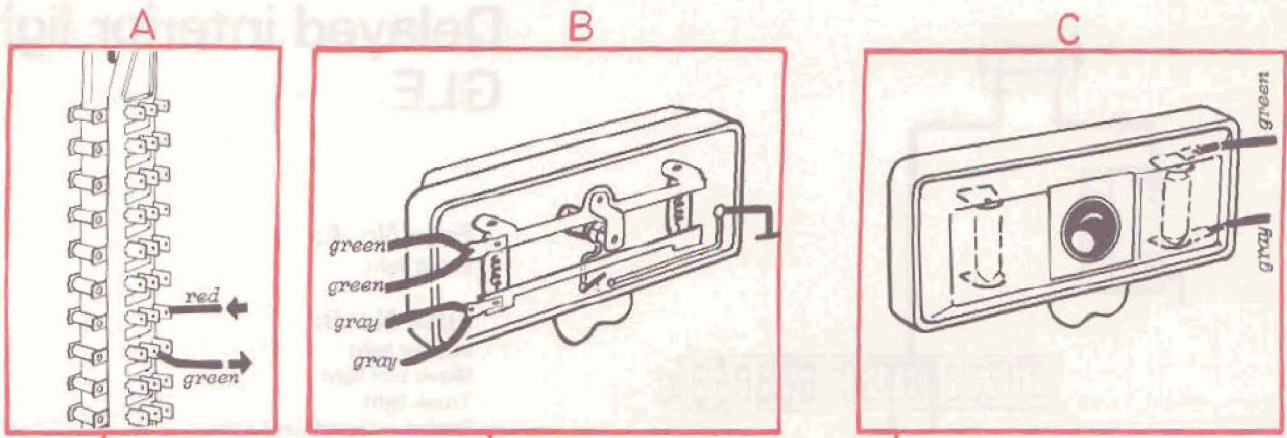


Switch on steering column  
in POS 2. Light ON with  
any door open.

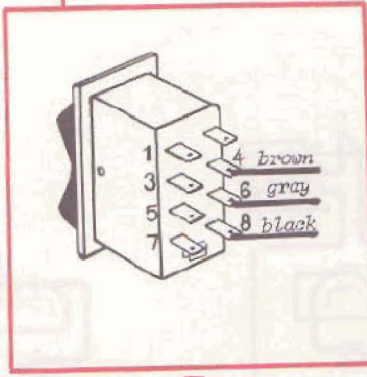


Lamp switch ON.  
Spotlights illuminated.

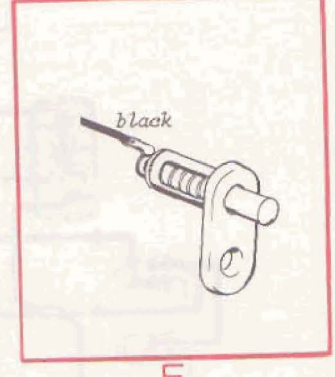




D



E



F

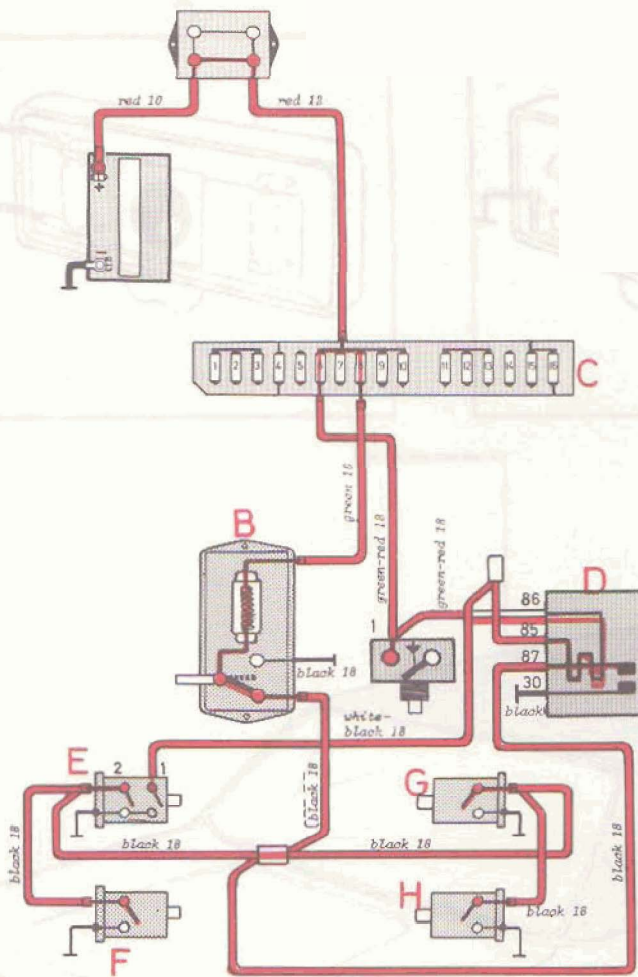
# Delayed interior light GLE

**Fuse No. 6:**  
Brake light

**Fuse No. 8:**  
Interior light  
Glove box light  
Trunk light  
Engine compartment light  
Clock

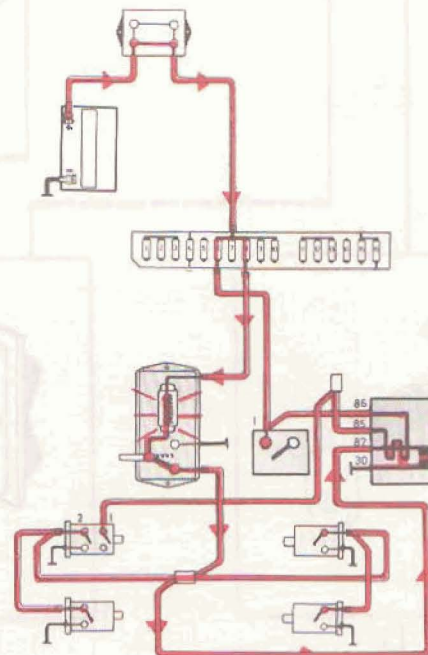
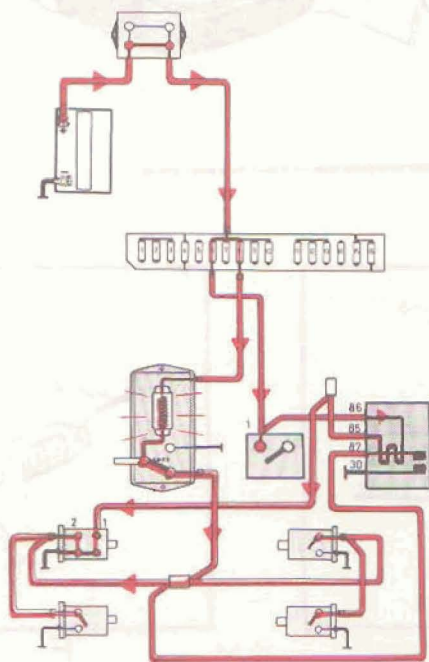
**Legend:**

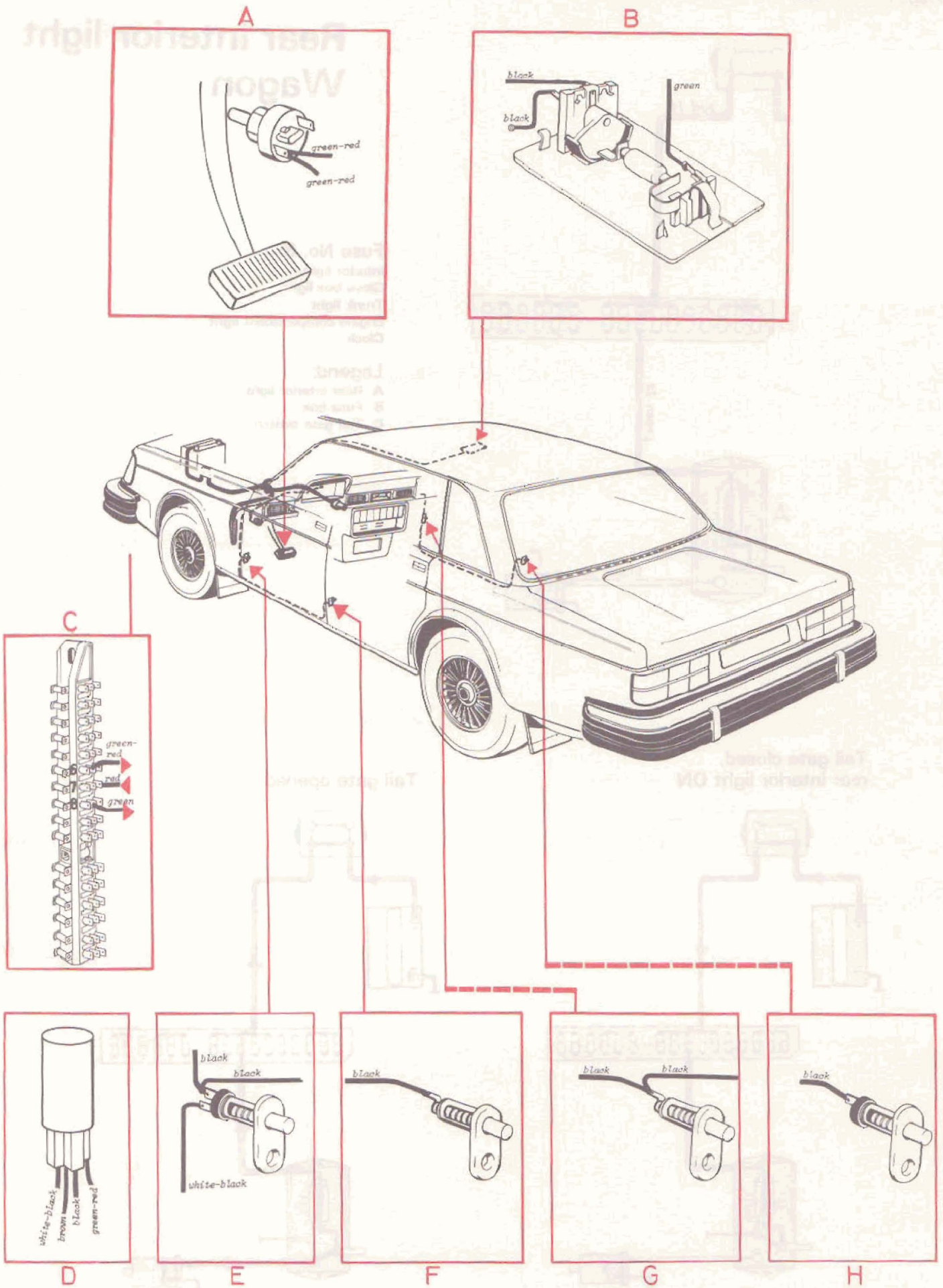
- A Brake light switch
- B Interior light
- C Fuse box
- D Delay relay
- Door switches:  
E Left side, front  
F Left side, rear  
G Right side, front  
H Right side, rear



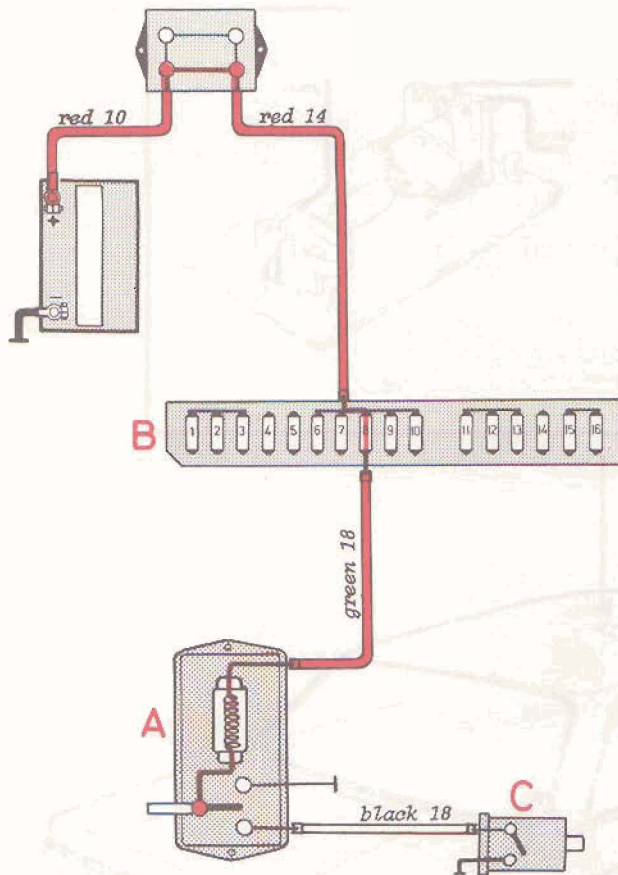
Opening left side front door.  
Contacts in delay relay close by bi-metal action.

Left side front door closed again.  
Interior light will stay on for 10-17 seconds if door was open for minimum 6 seconds.





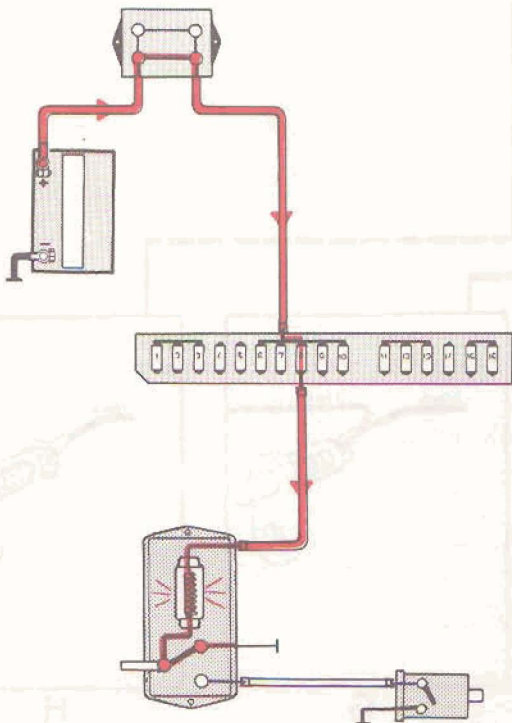
# Rear interior light Wagon



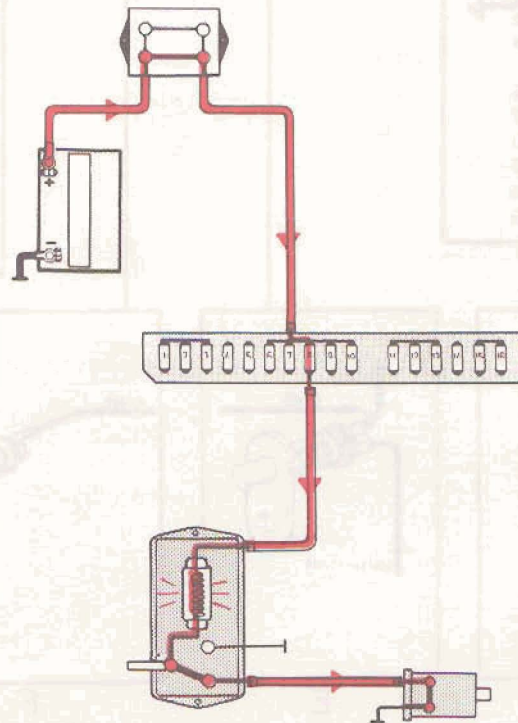
**Fuse No. 8:**  
Interior light  
Glove box light  
Trunk light  
Engine compartment light  
Clock

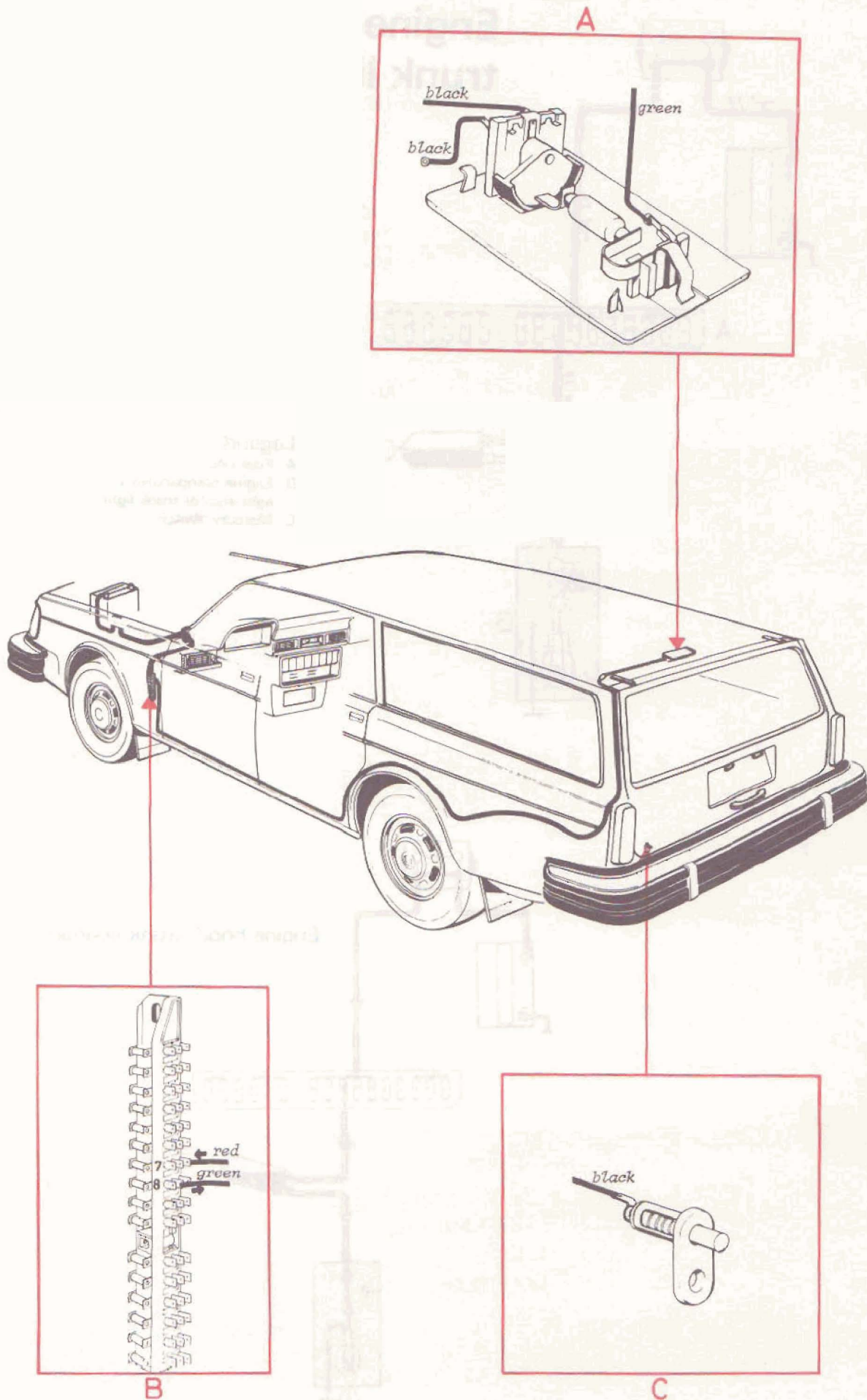
**Legend:**  
A Rear interior light  
B Fuse box  
C Tail gate switch

Tail gate closed,  
rear interior light ON

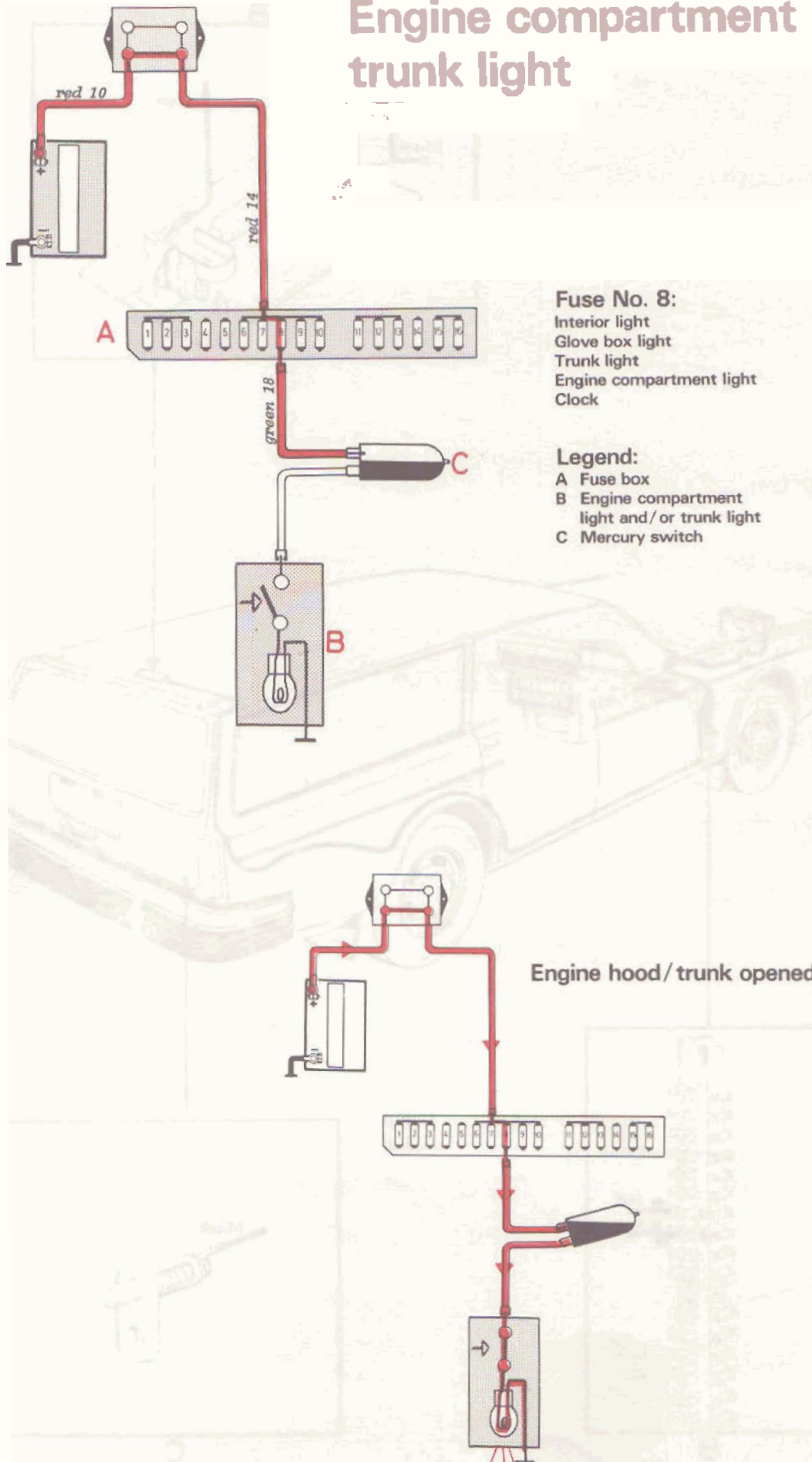


Tail gate opened





# Engine compartment light, trunk light



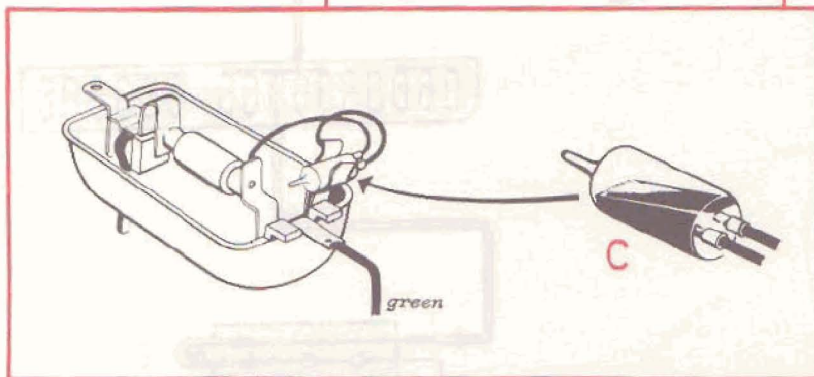
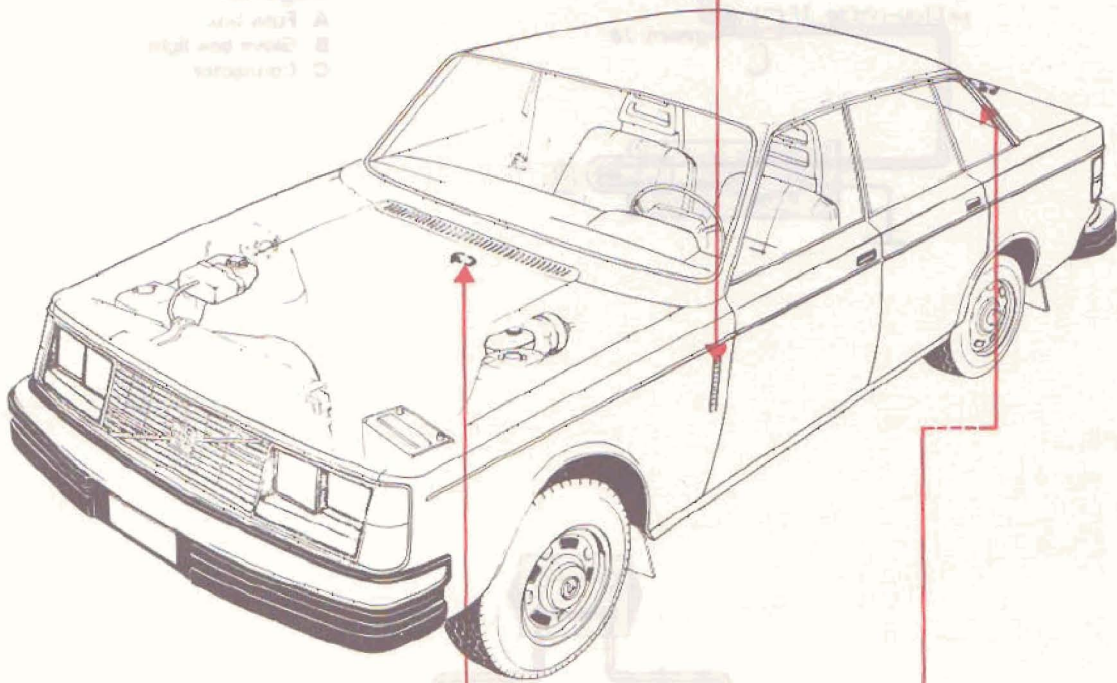
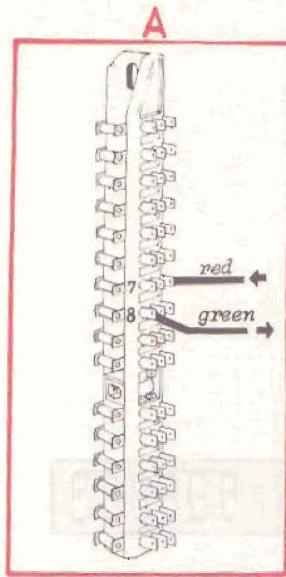
Engine compartment light,  
trunk light

Glove box light

Fuse No. 8  
Interior light  
Glove box light  
Trunk light  
Engine compartment light  
Cool

Legend:  
A Fuse box  
B Glove box light  
C Connector

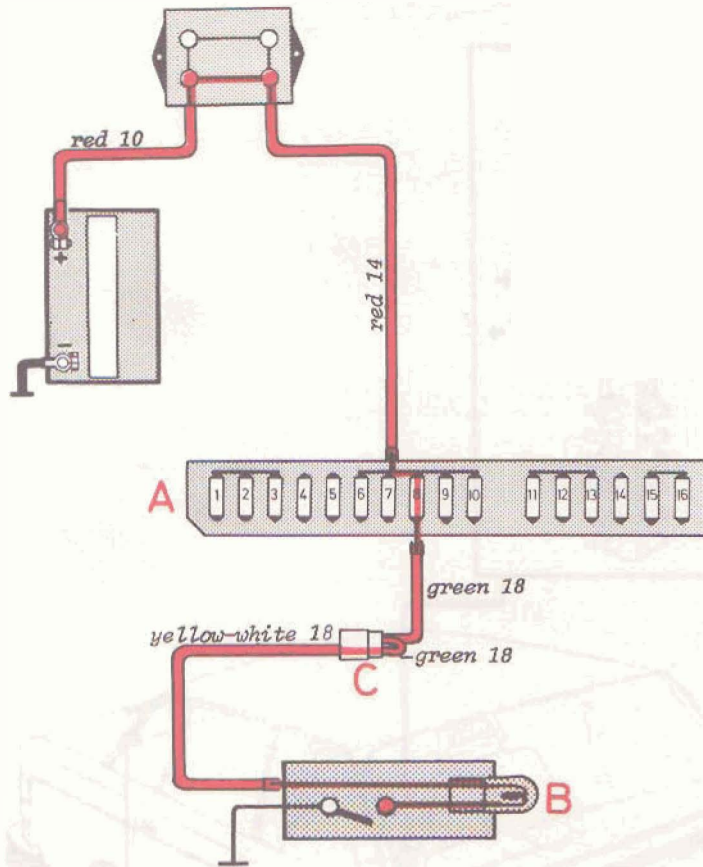
Glove box light



B

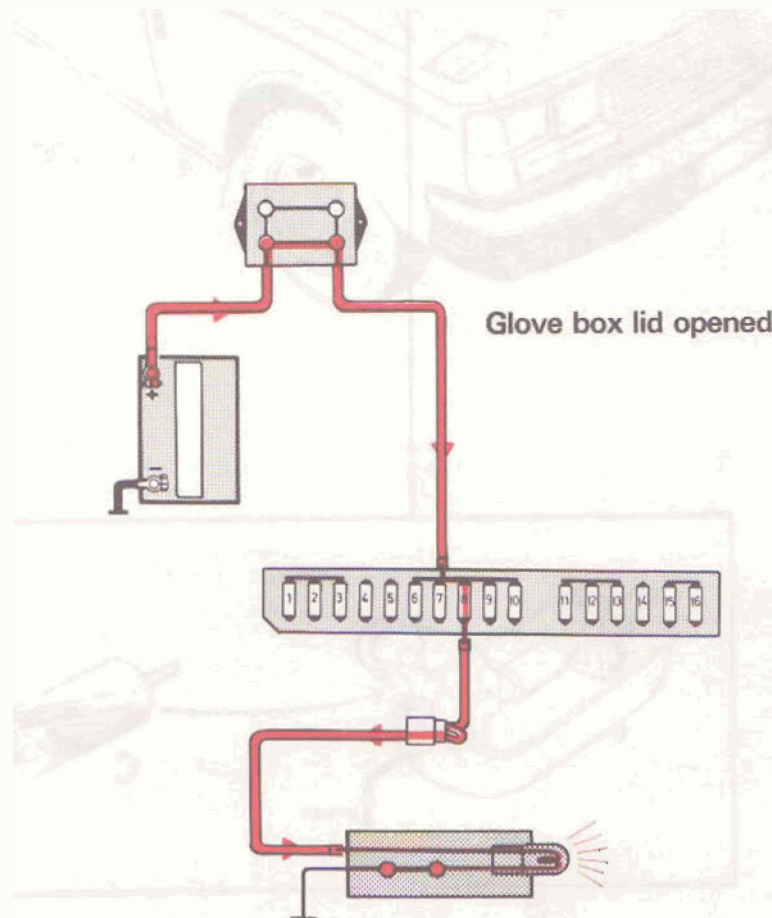
C

# Glove box light

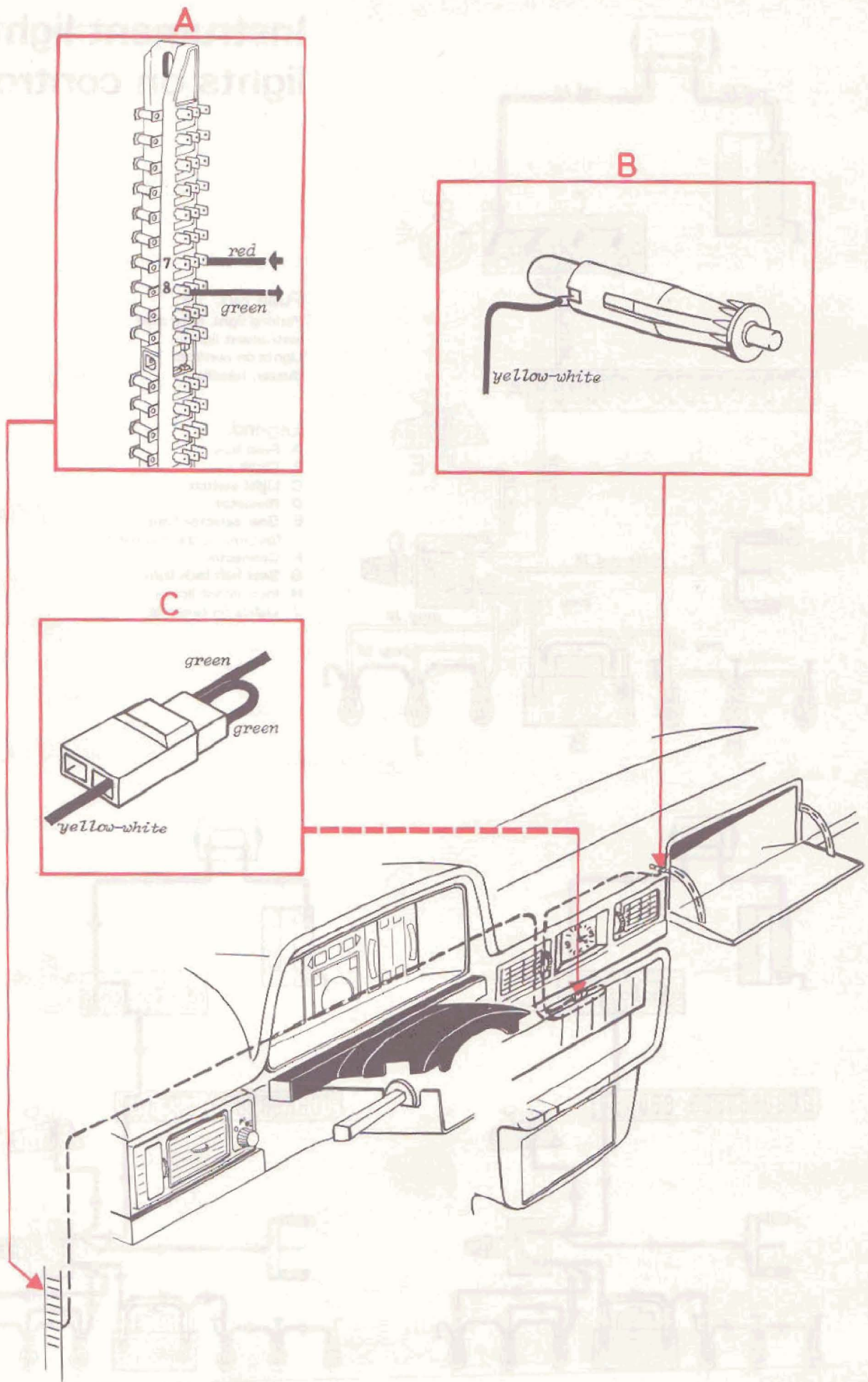


**Fuse No. 8:**  
Interior light  
Glove box light  
Trunk light  
Engine compartment light  
Clock

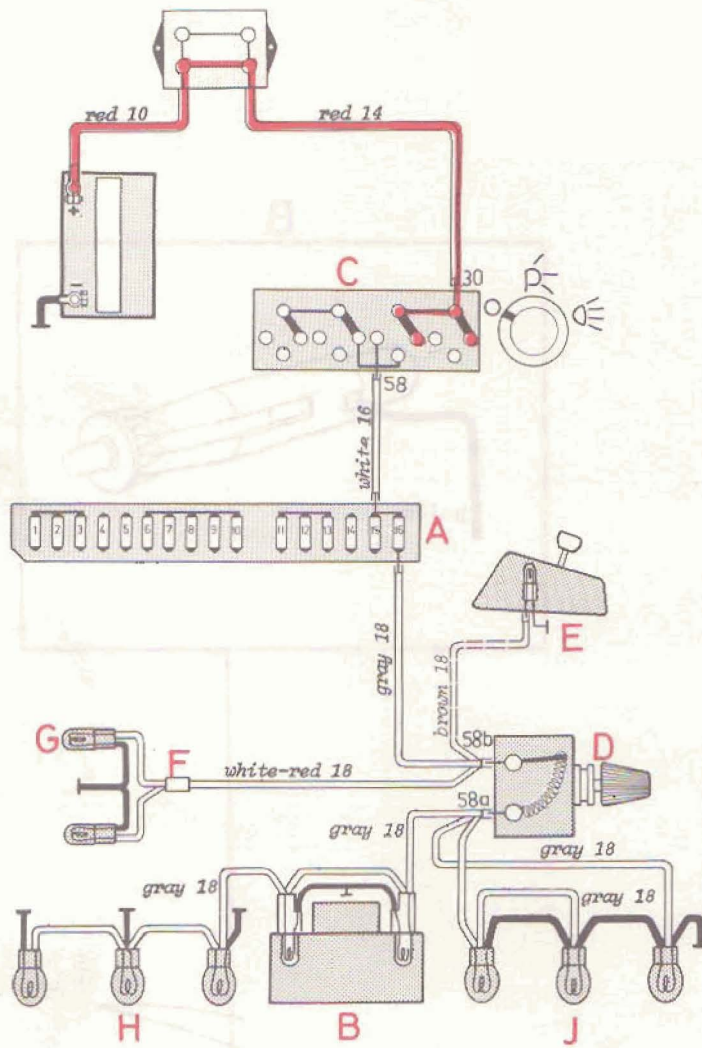
**Legend:**  
A Fuse box  
B Glove box light  
C Connector



Glove box lid opened

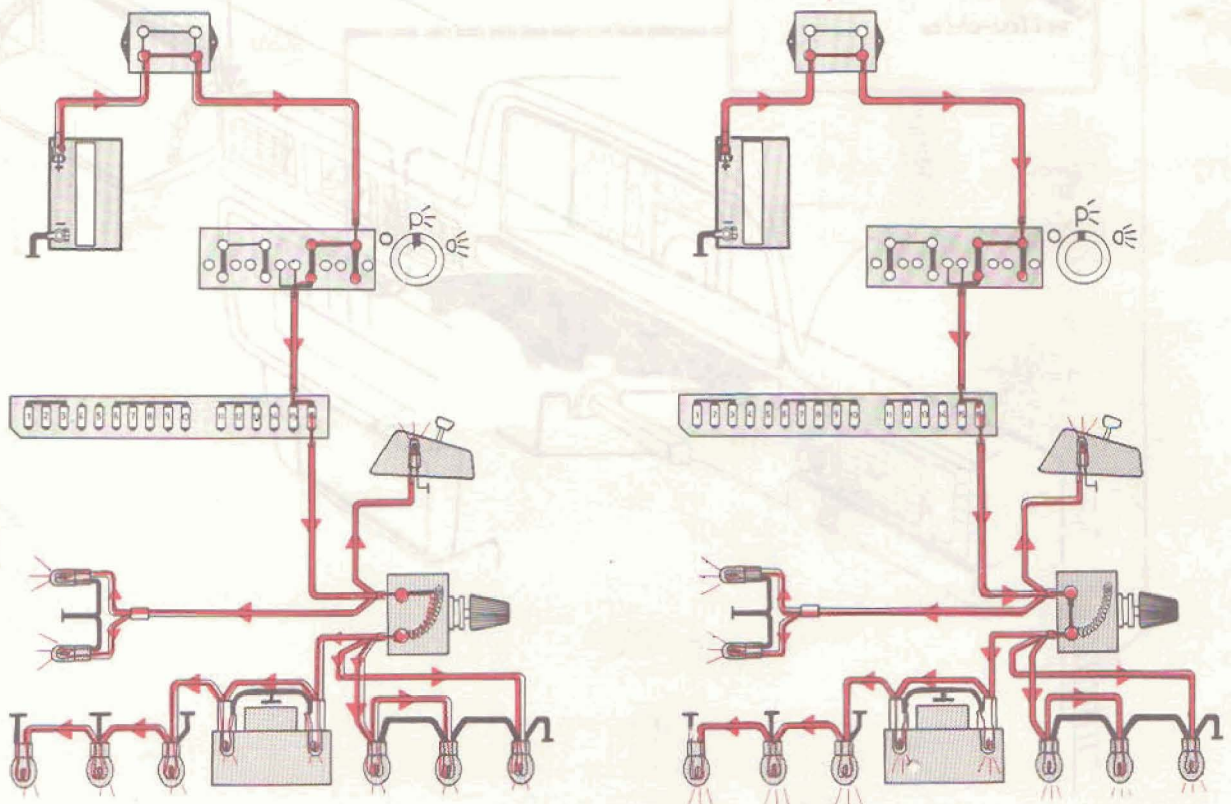


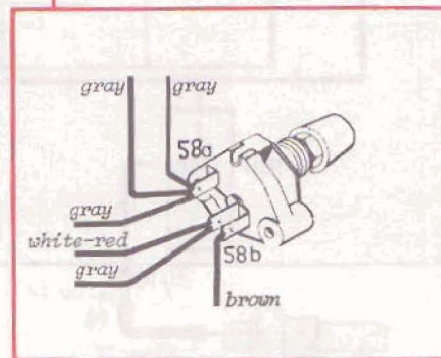
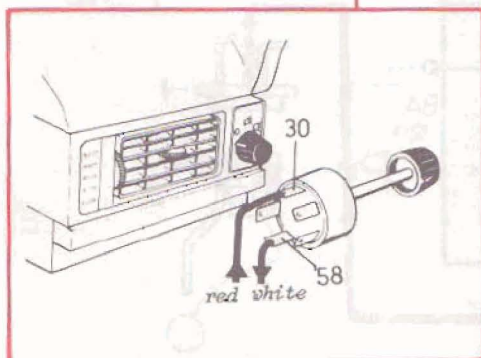
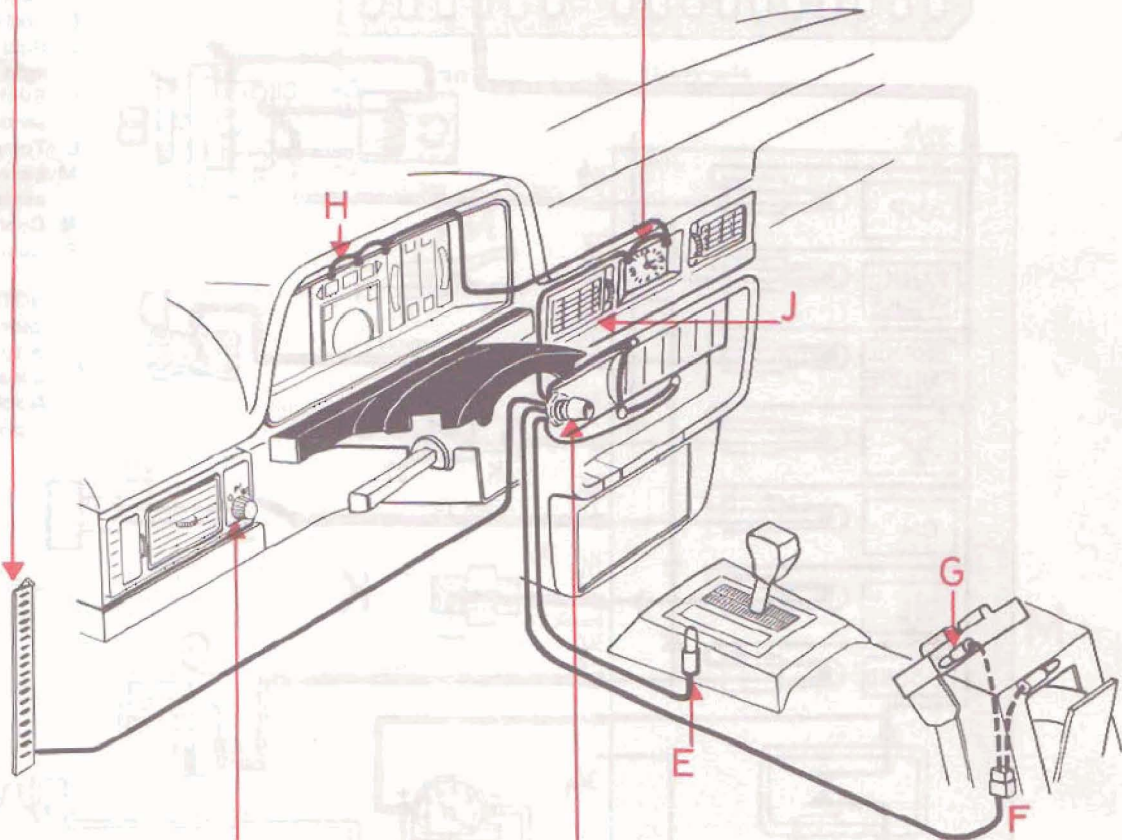
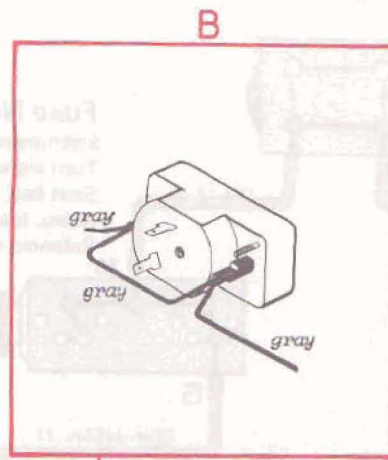
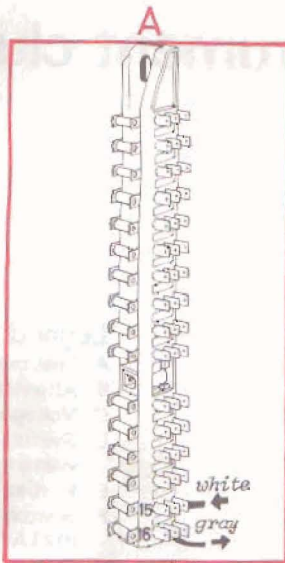
# Instrument lights, lights on controls



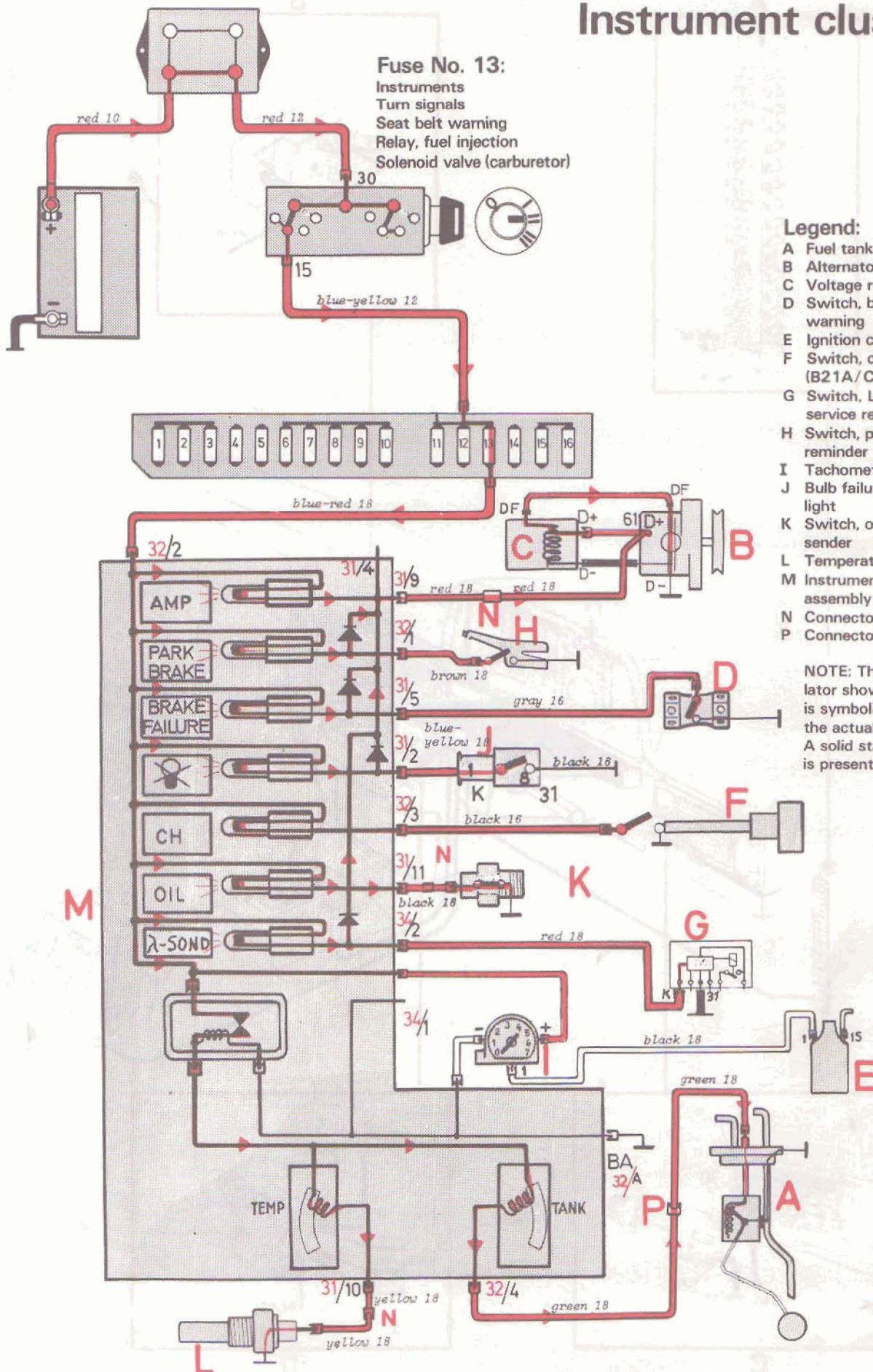
**Fuse No. 16:**  
 Parking light, right side  
 Instrument lights  
 Lights on controls  
 Buzzer, headlight

- Legend:**
- A Fuse box
  - B Clock
  - C Light switch
  - D Rheostat
  - E Gear selector light (automatic transmission)
  - F Connector
  - G Seat belt lock light
  - H Instrument lights
  - J Lights on controls





# Instrument cluster

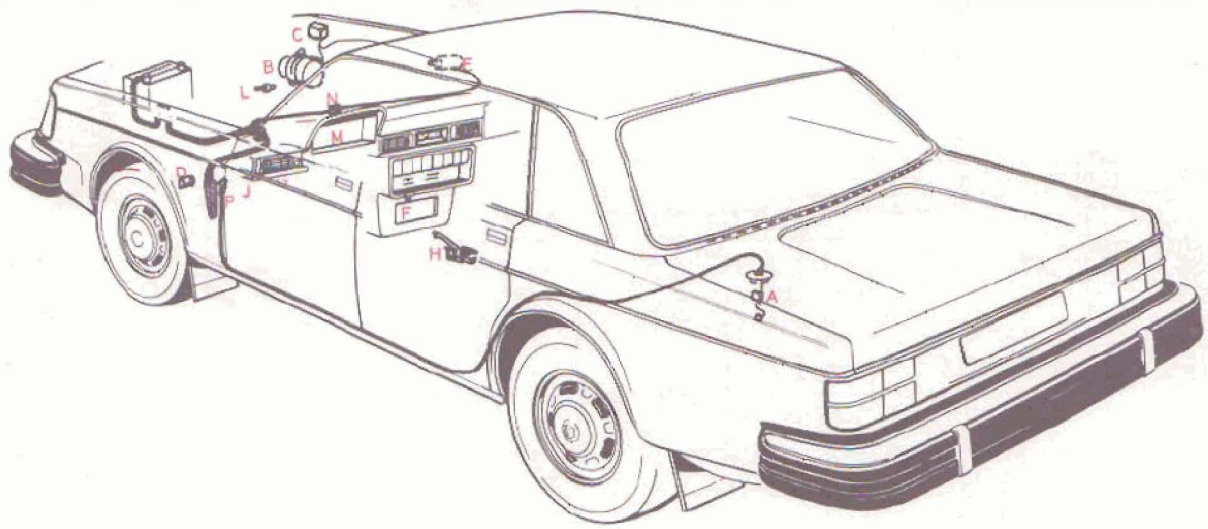
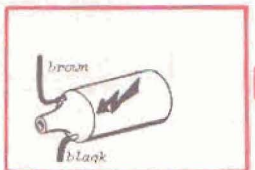
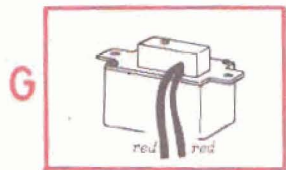
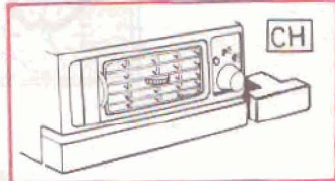
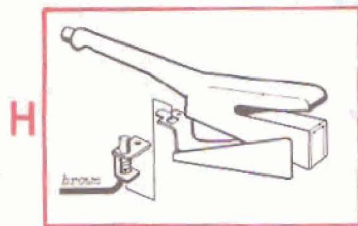
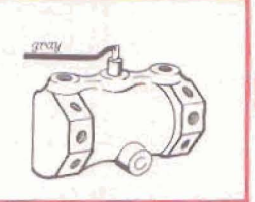
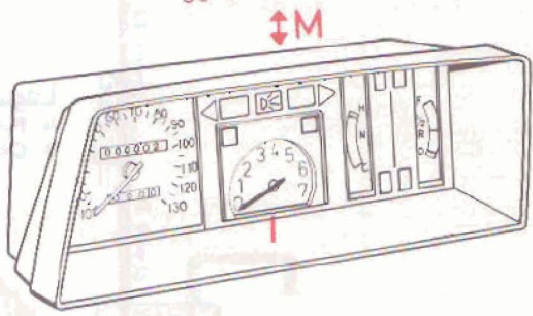
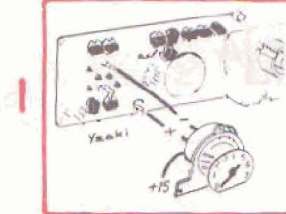
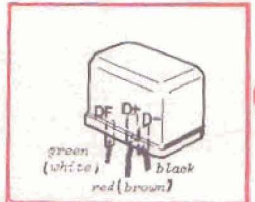
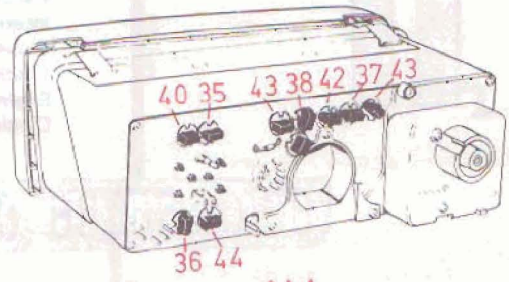
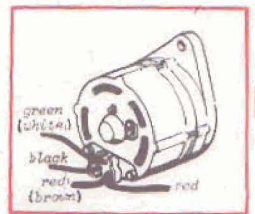
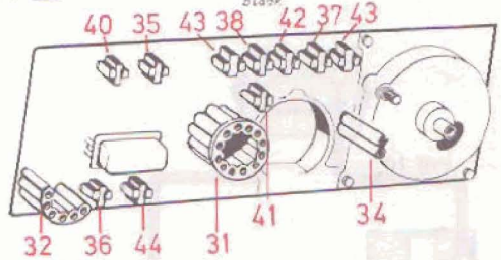
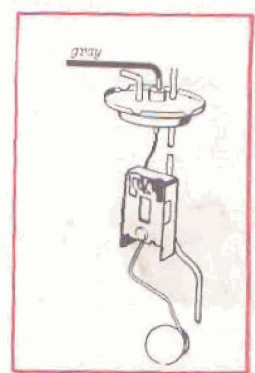
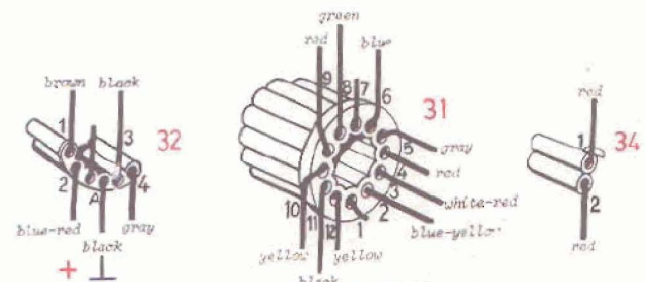
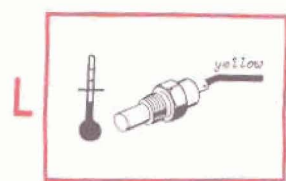


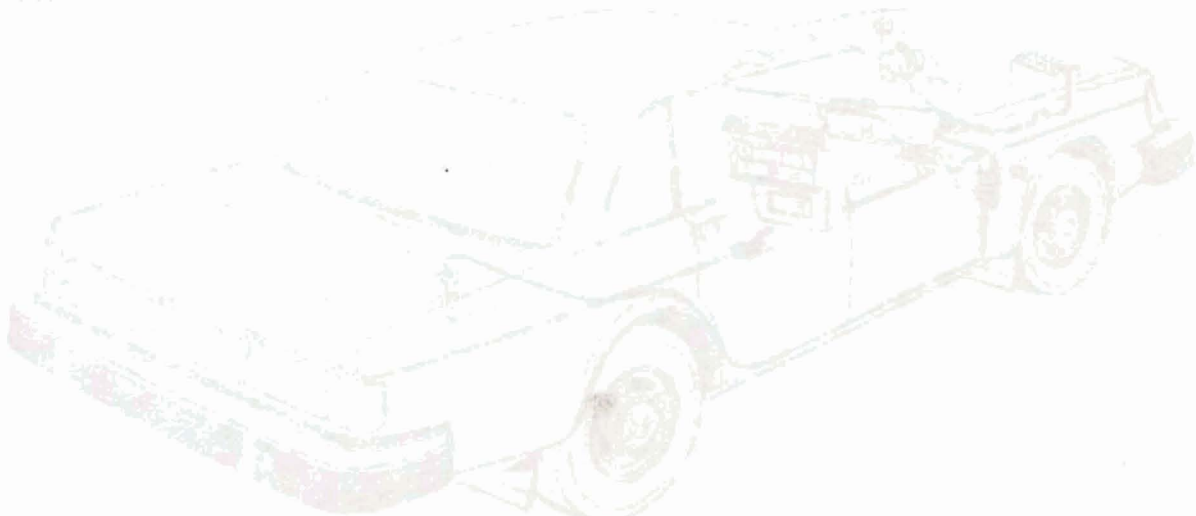
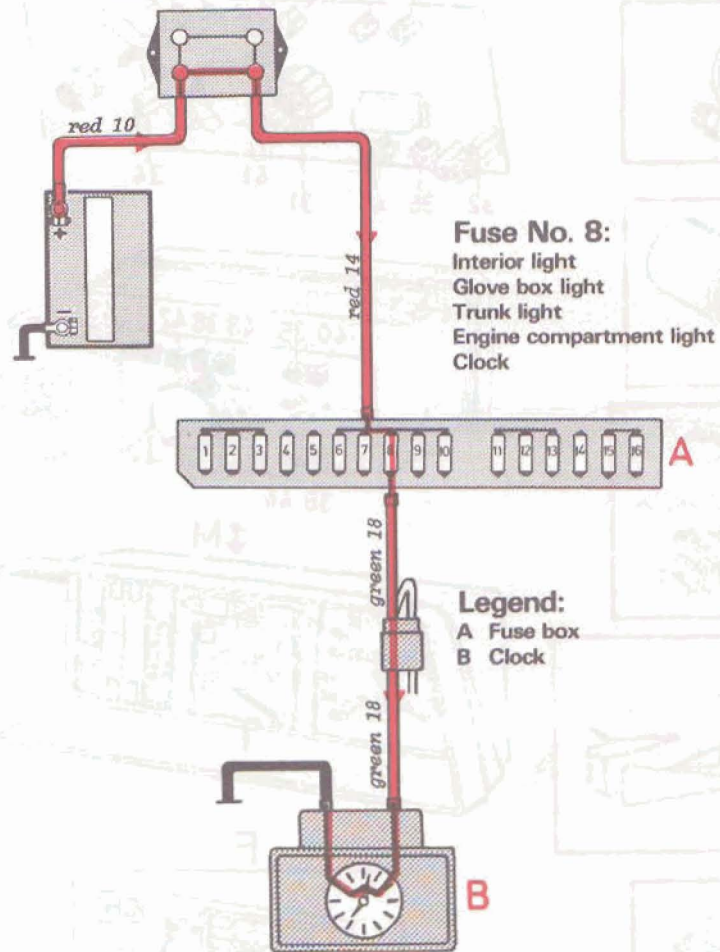
**Fuse No. 13:**  
 Instruments  
 Turn signals  
 Seat belt warning  
 Relay, fuel injection  
 Solenoid valve (carburetor)

- Legend:**
- A Fuel tank level sender
  - B Alternator
  - C Voltage regulator
  - D Switch, brake failure warning
  - E Ignition coil
  - F Switch, choke control (B21A/Canada)
  - G Switch, Lambda Sond service reminder
  - H Switch, parking brake reminder
  - I Tachometer
  - J Bulb failure warning light
  - K Switch, oil pressure sender
  - L Temperature sender
  - M Instrument cluster assembly
  - N Connectors
  - P Connector

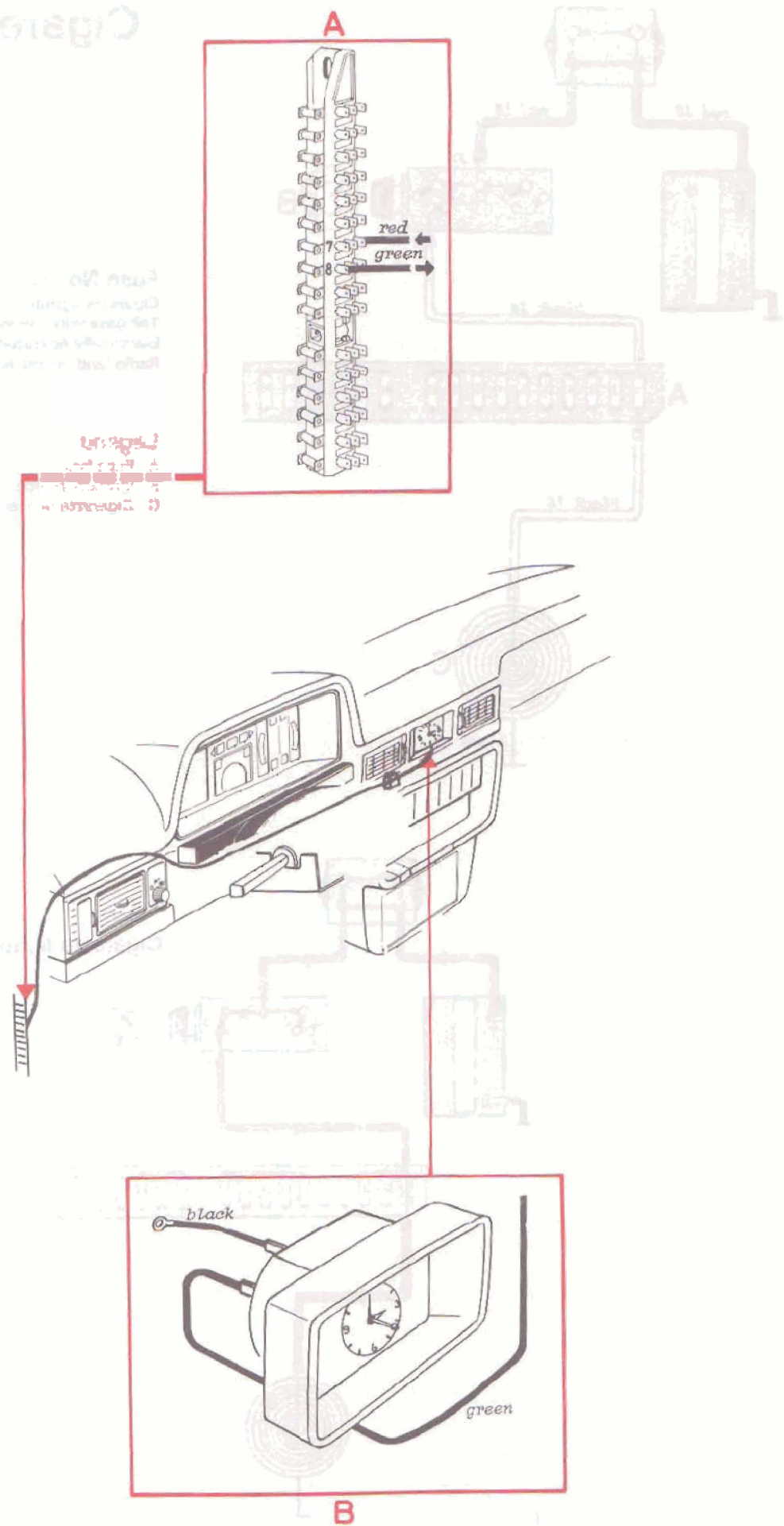
**NOTE:** The voltage regulator shown in schematic is symbolic of and not the actual regulator. A solid state regulator is presently used.

130777

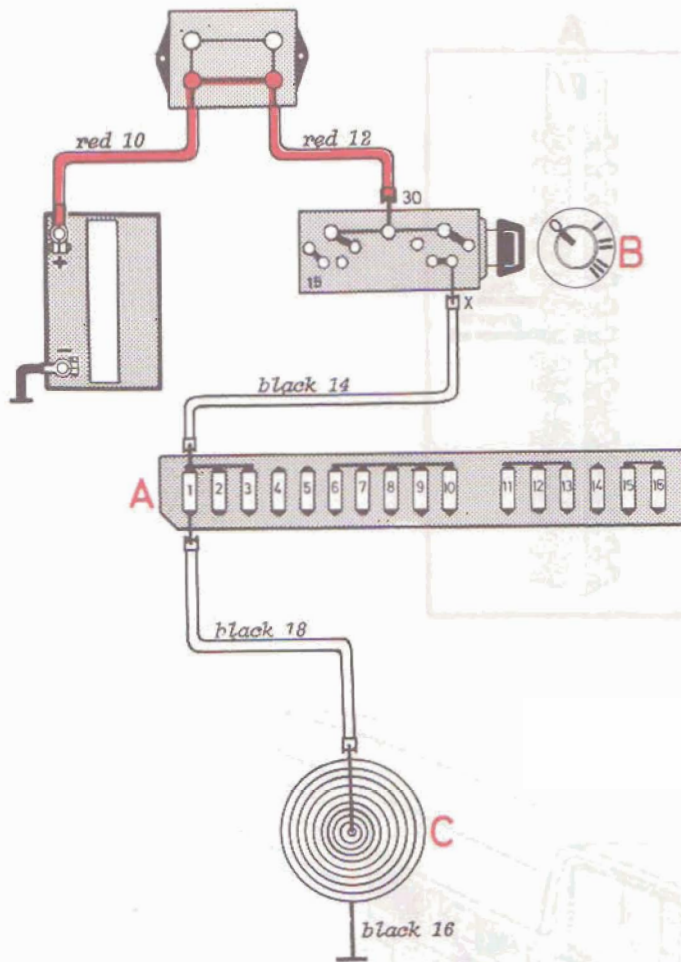




# Cigarette lighter

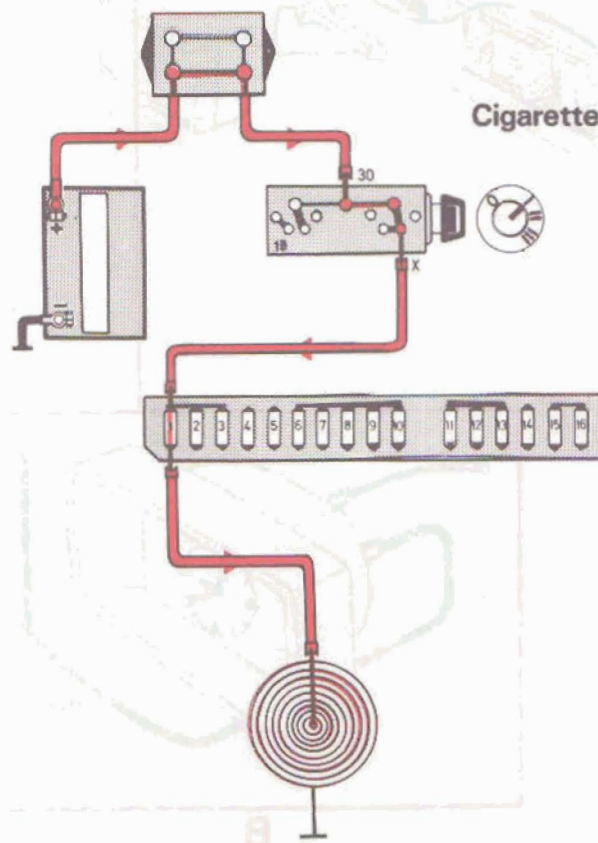


# Cigarette lighter

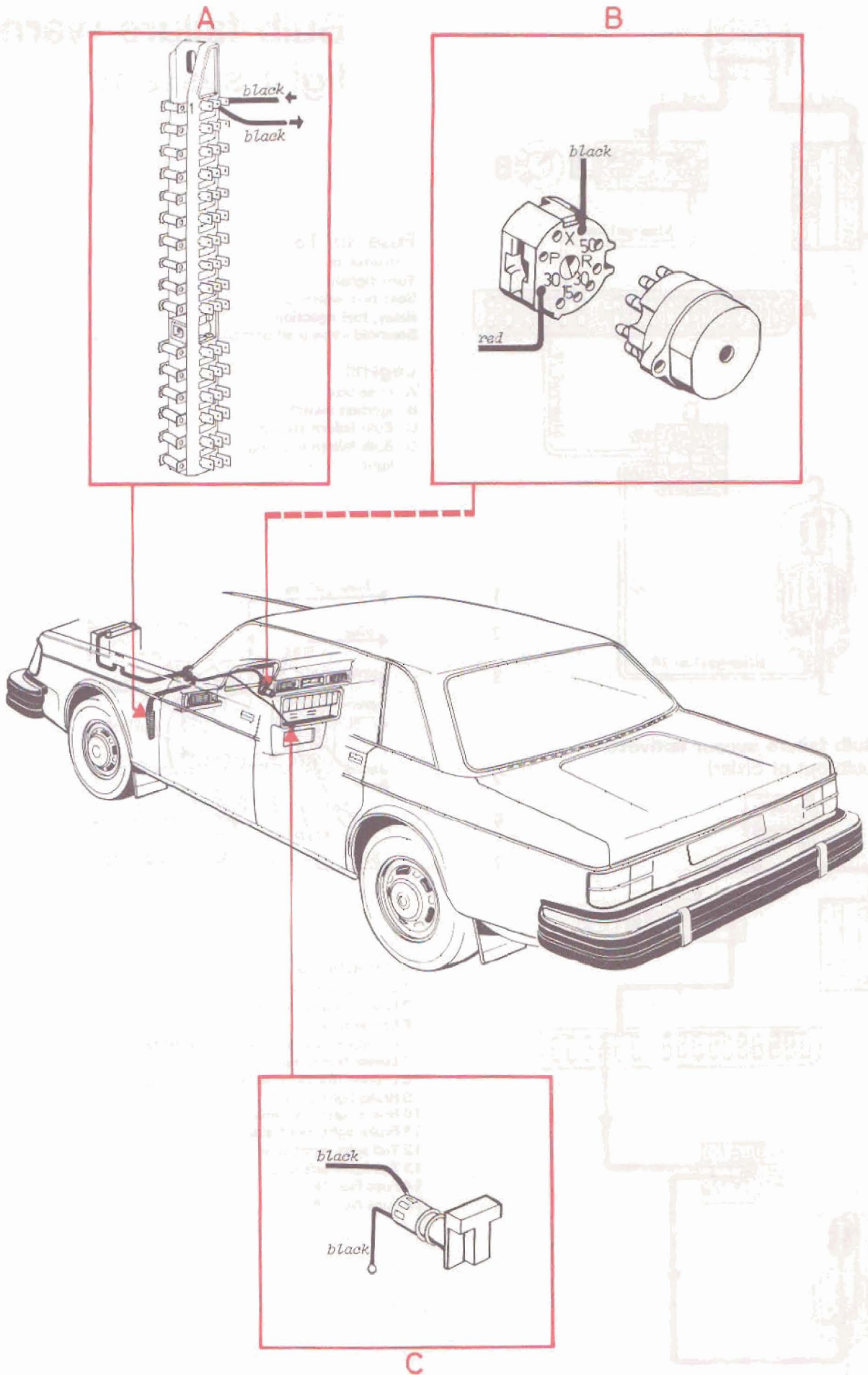


**Fuse No. 1:**  
 Cigarette lighter  
 Tail gate window wiper and washer  
 Electrically operated side mirrors  
 Radio (and power antenna)

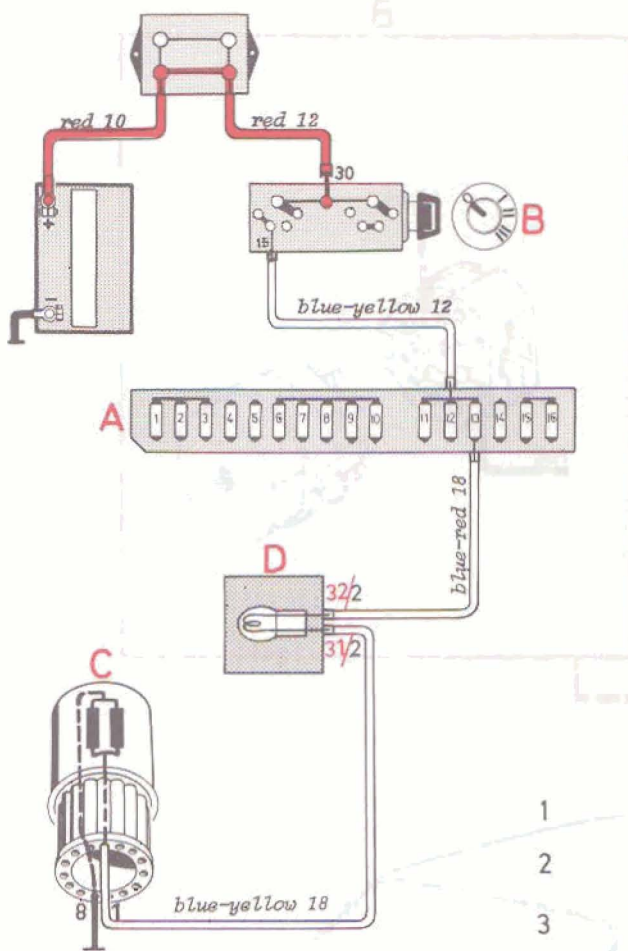
**Legend:**  
 A Fuse box  
 B Ignition switch  
 C Cigarette lighter



**Cigarette lighter ON.**



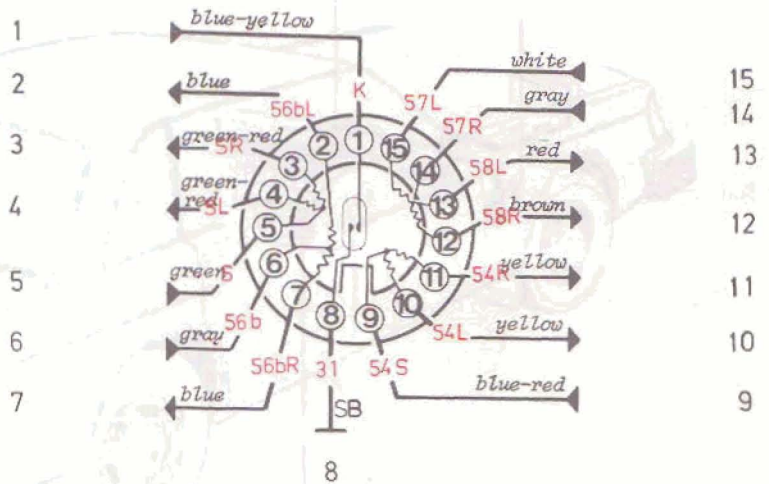
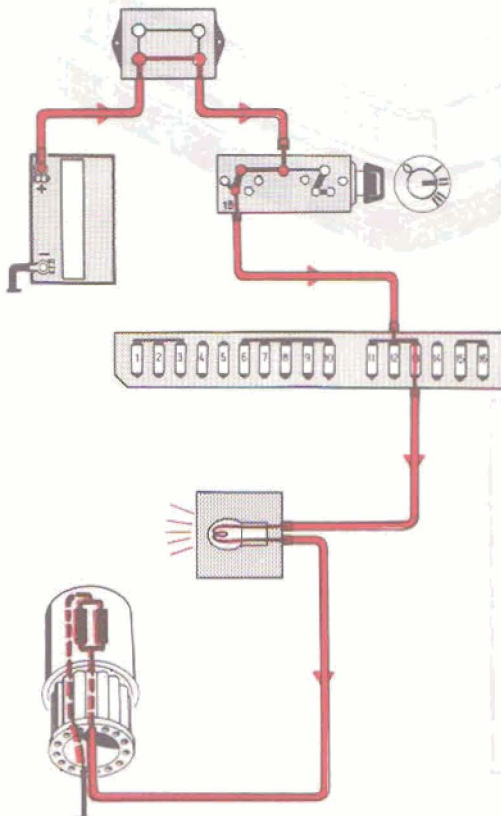
# Bulb failure warning light system



**Fuse No. 13:**  
 Instruments  
 Turn signals  
 Seat belt warning  
 Relay, fuel injection  
 Solenoid valve (carburetor)

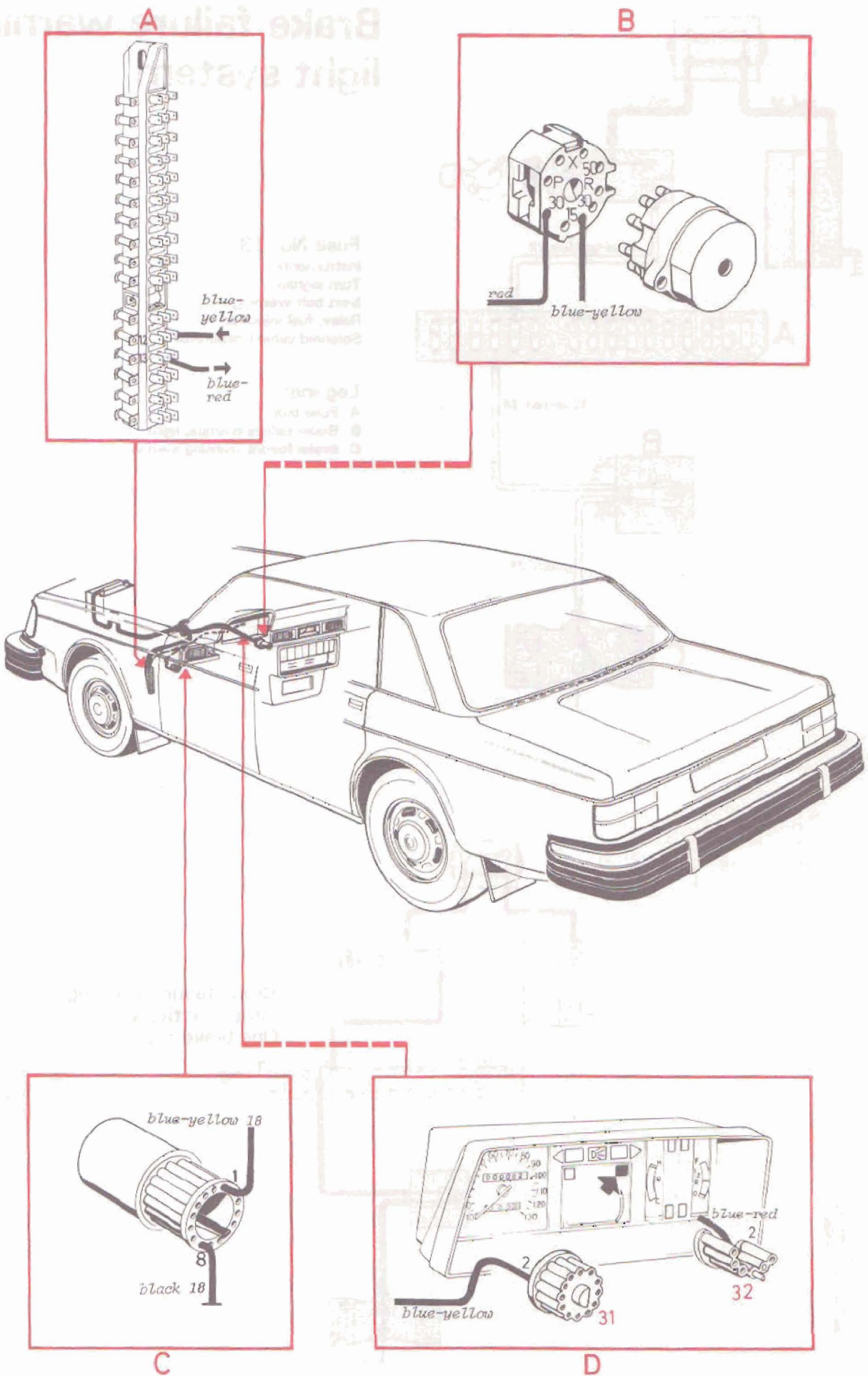
**Legend:**  
 A Fuse box  
 B Ignition switch  
 C Bulb failure sensor  
 D Bulb failure warning light

**Bulb failure sensor activated  
 (bulb out of order)**

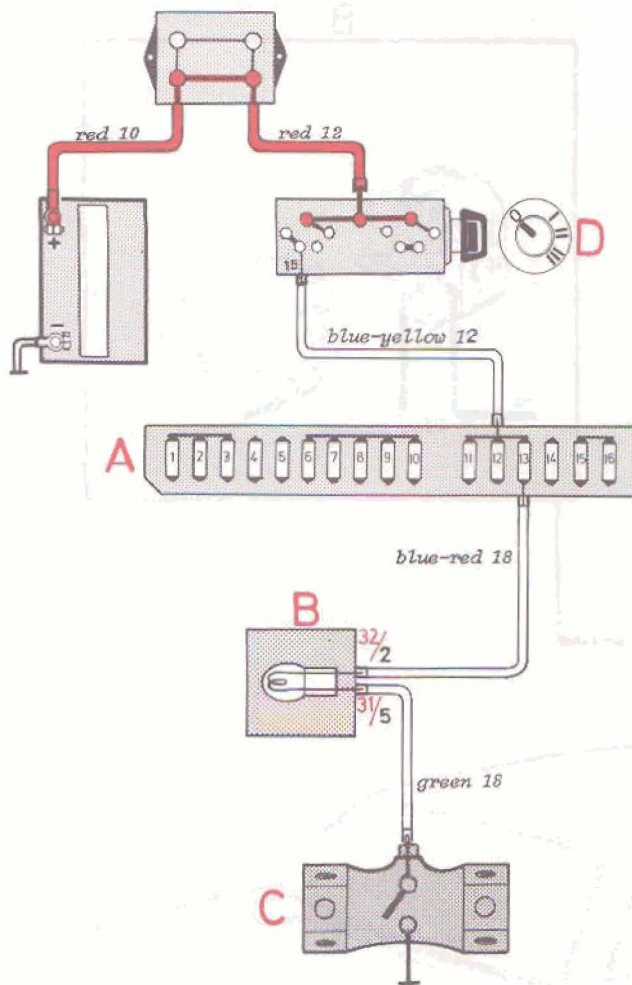


### Connections

- 1 Bulb failure warning light
- 2 Lower beam, left side
- 6 Lower beam connection on upper/lower beam switch relay
- 7 Lower beam, right side
- 8 Ground (for bulb failure warning light)
- 9 Brake light switch
- 10 Brake light, left side
- 11 Brake light, right side
- 12 Tail light, right side
- 13 Tail light, left side
- 14 Fuse No. 16
- 15 Fuse No. 15

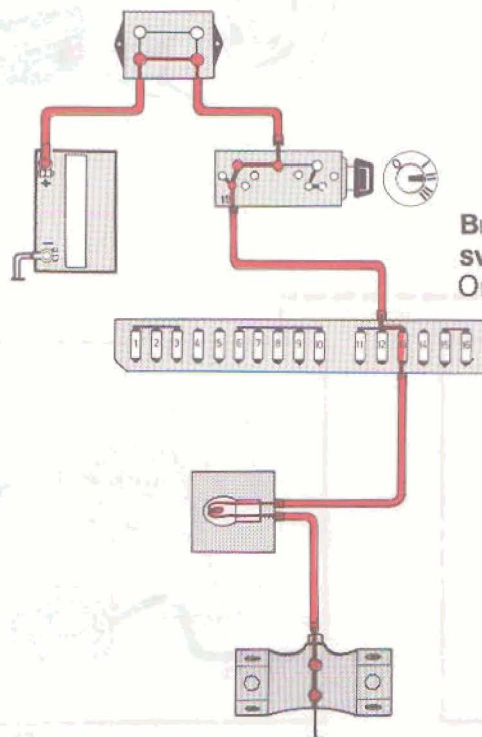


# Brake failure warning light system

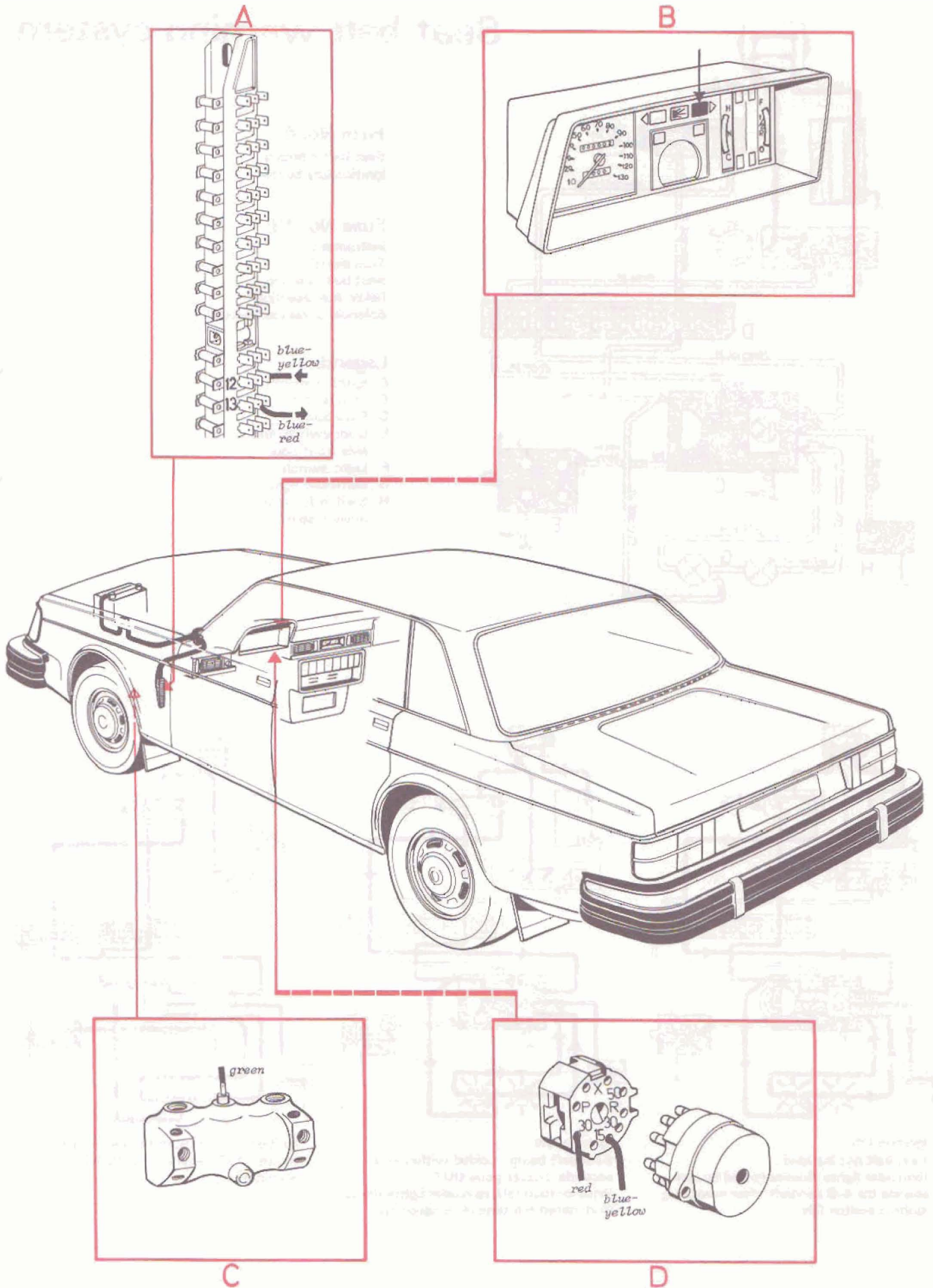


**Fuse No. 13:**  
 Instruments  
 Turn signals  
 Seat belt warning  
 Relay, fuel injection  
 Solenoid valve (carburetor)

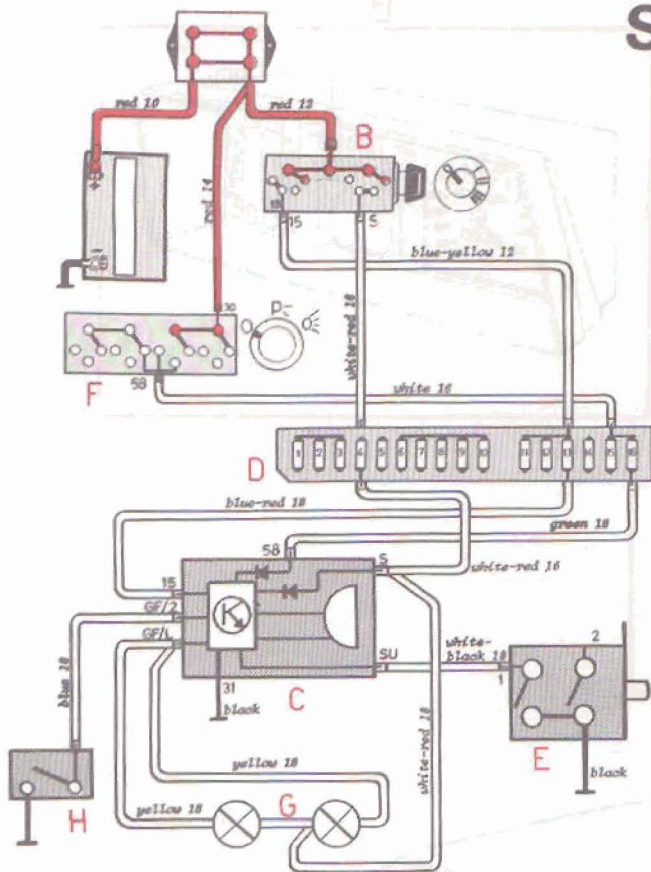
**Legend:**  
 A Fuse box  
 B Brake failure warning light  
 C Brake failure warning switch



**Brake failure warning switch activated**  
 One brake circuit fails.



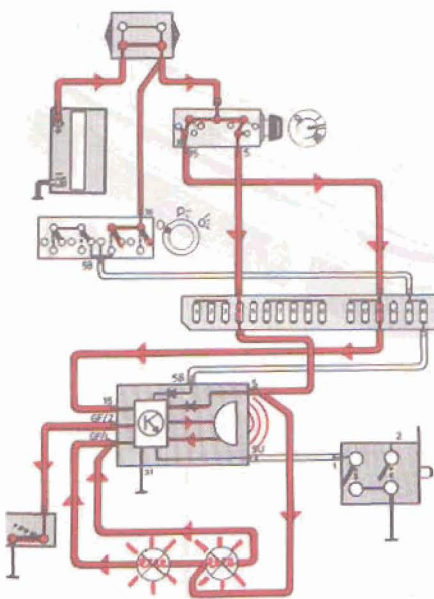
# Seat belt warning system



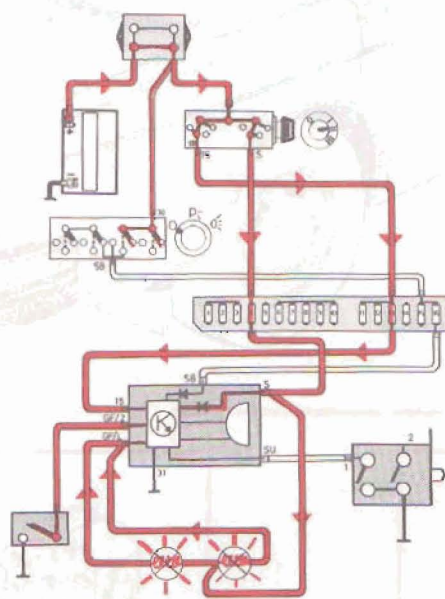
**Fuse No. 4:**  
Seat belt warning  
Ignition key buzzer

**Fuse No. 13:**  
Instruments  
Turn signals  
Seat belt warning  
Relay, fuel injection  
Solenoid valve (carburetor)

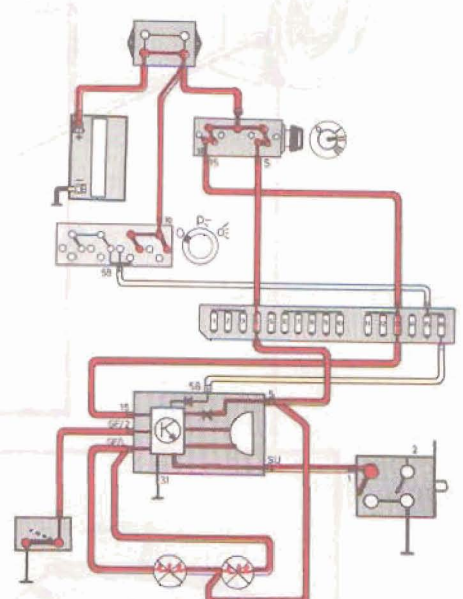
- Legend:**
- B Ignition switch
  - C Buzzer relay
  - D Fuse box
  - E Door switch, left side front door
  - F Light switch
  - G Reminder lights
  - H Switch for seat belt, driver's seat



**Ignition ON**  
Seat belt not buckled.  
Reminder lights illuminate and buzzer sounds for 4-8 seconds after switching ignition switch ON.

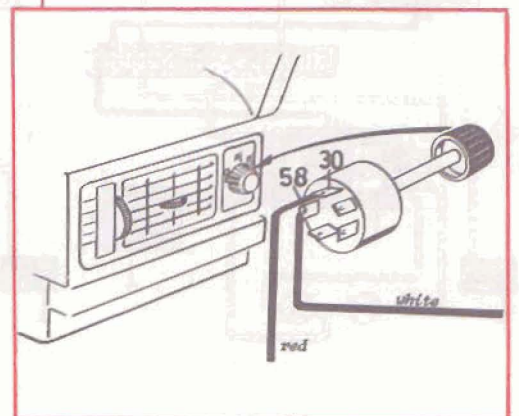
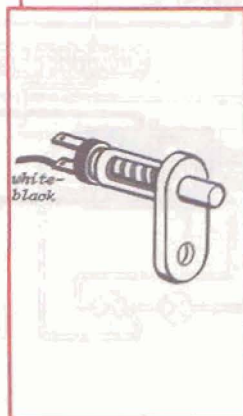
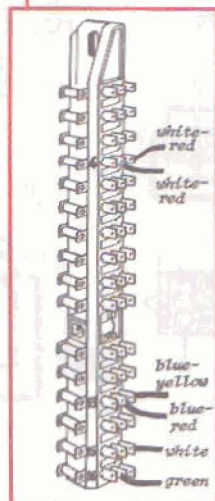
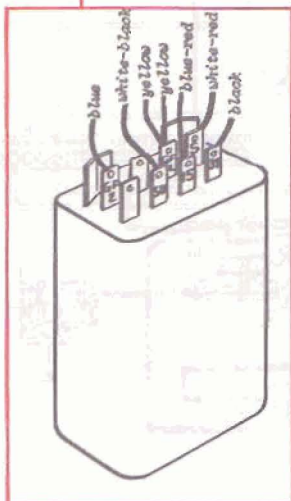
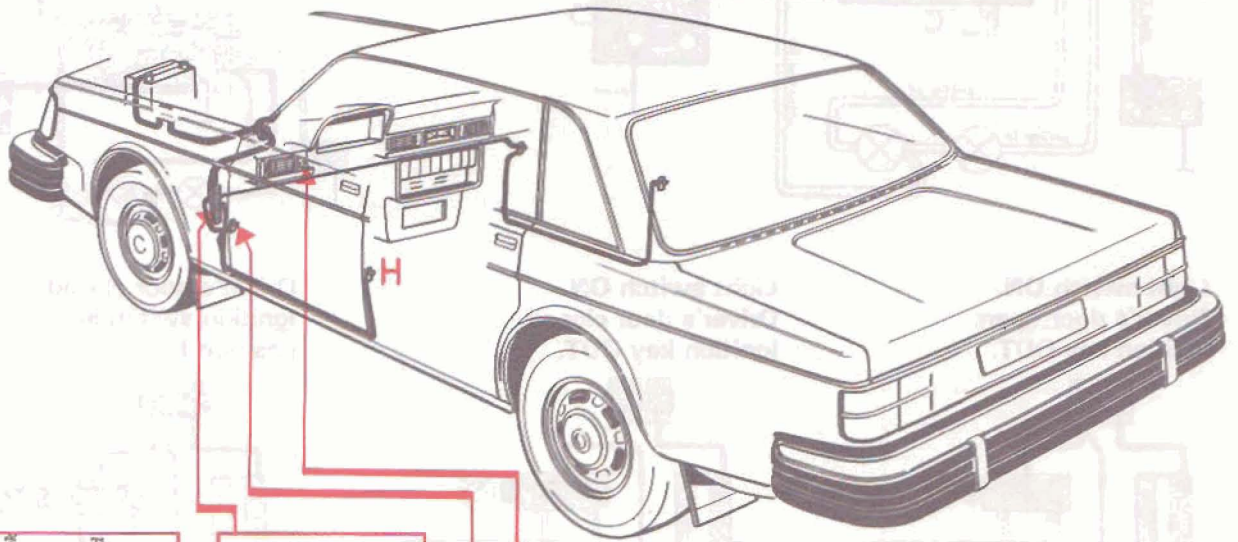
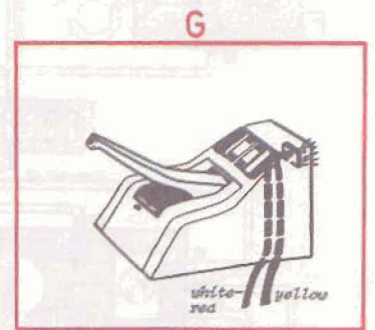
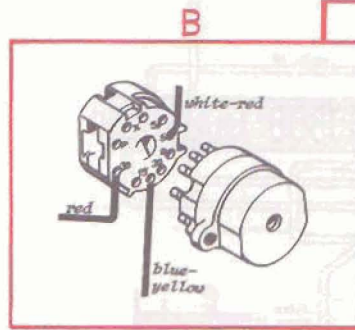
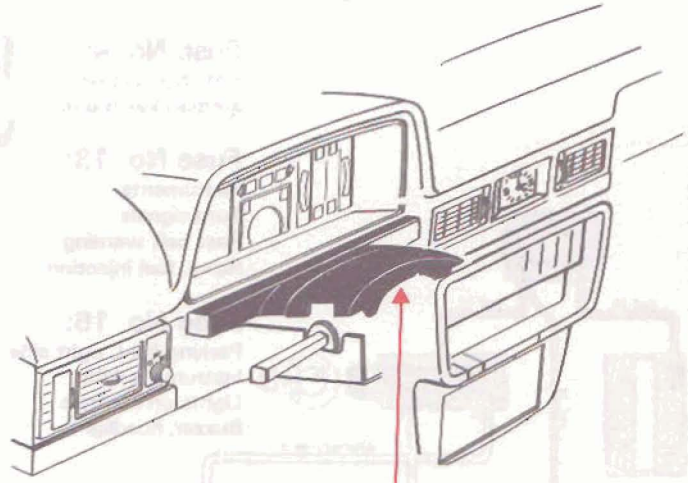
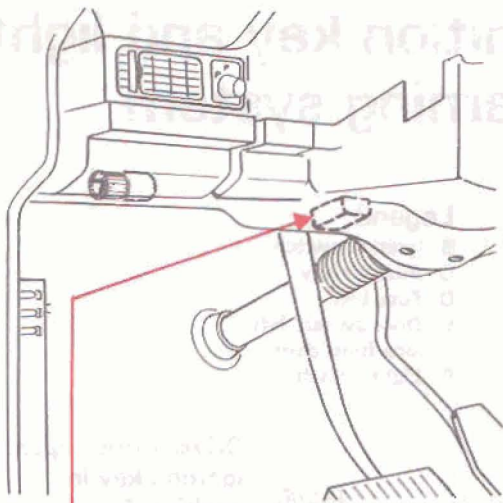


**Ignition ON**  
Seat belt being buckled within 4-8 seconds: buzzer goes OUT. With ignition ON, reminder lights remain illuminated full time (4-8 seconds).



**Ignition ON for more than 4-8 seconds.**  
Buzzer OUT, reminder lights NOT illuminated.

Wiring diagrams



# Ignition key and light warning system

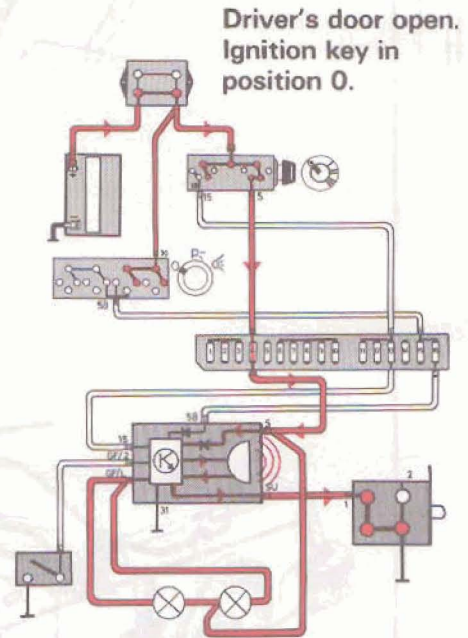
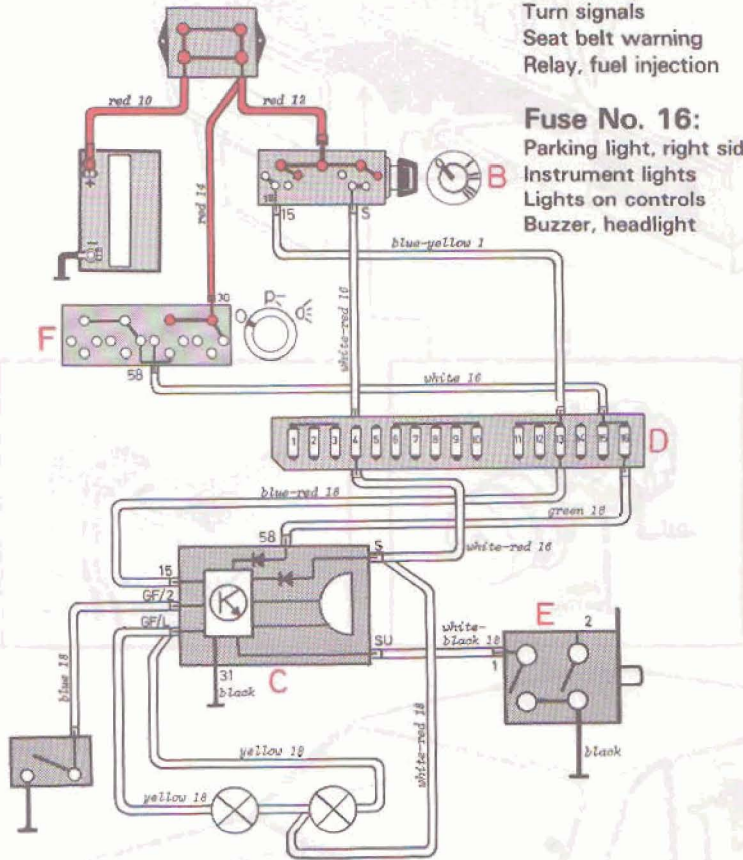
**Fuse No. 4:**  
Seat belt warning  
Ignition key buzzer

**Fuse No. 13:**  
Instruments  
Turn signals  
Seat belt warning  
Relay, fuel injection

**Fuse No. 16:**  
Parking light, right side  
Instrument lights  
Lights on controls  
Buzzer, headlight

**Legend:**

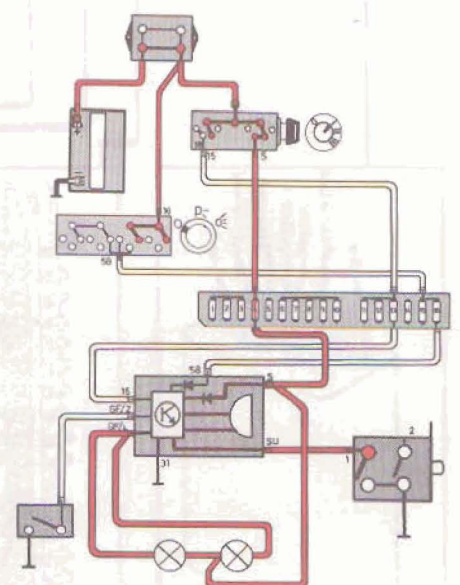
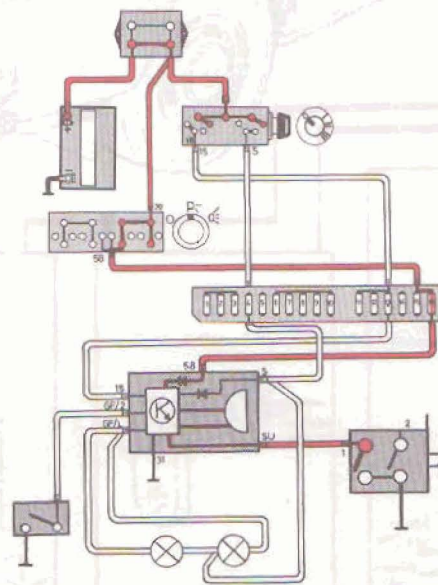
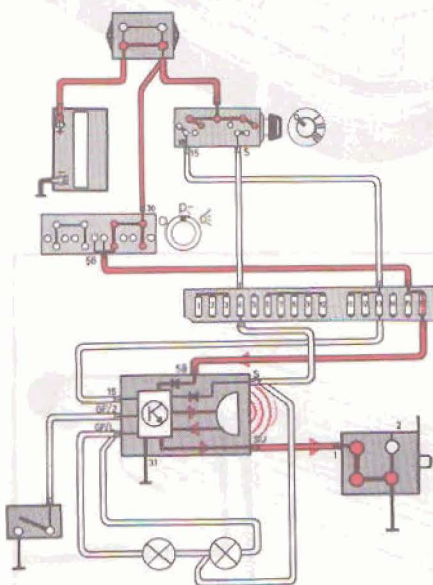
- B Ignition switch
- C Buzzer relay
- D Fuse box
- E Door switch, left side front door
- F Light switch

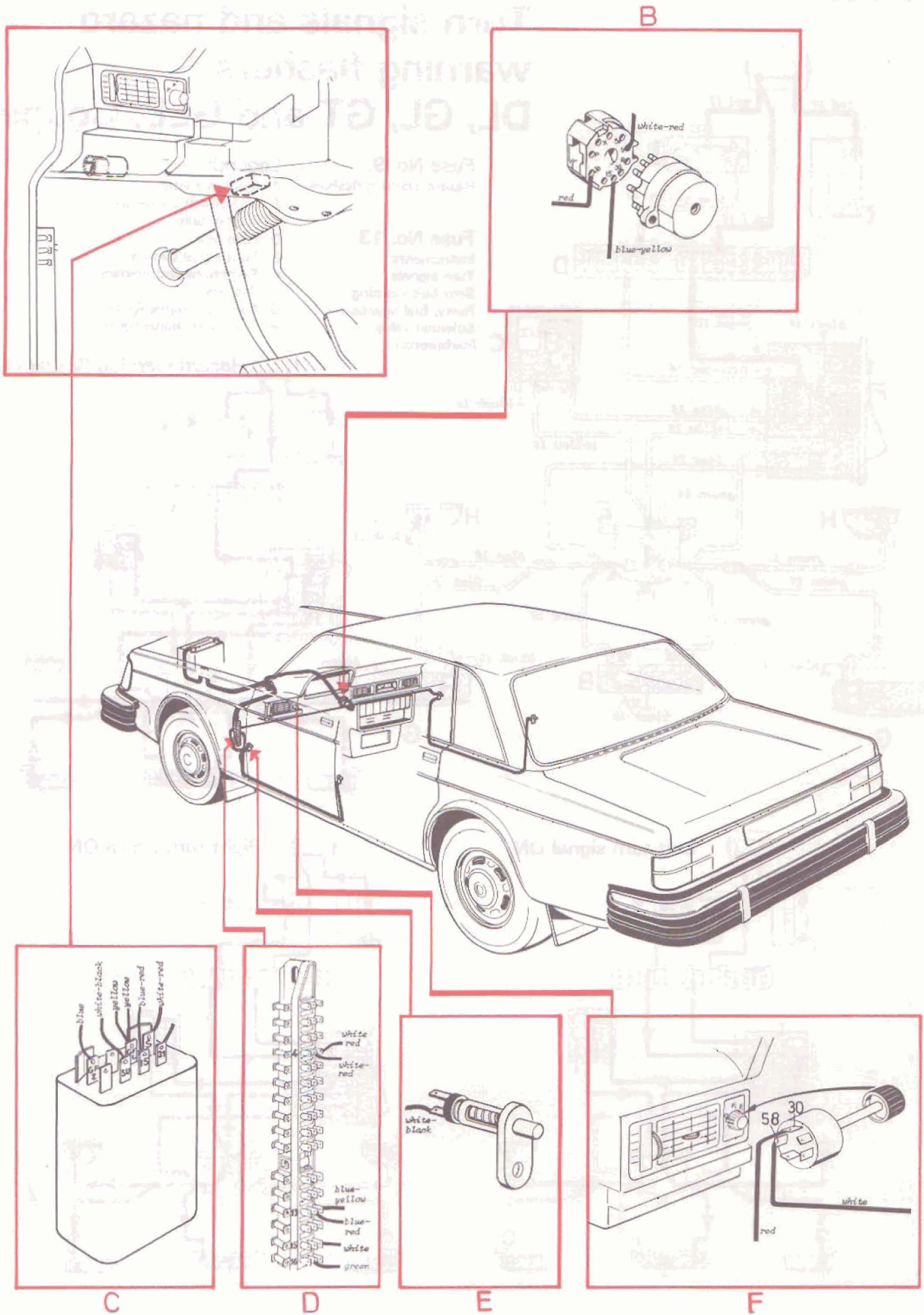


**Light switch ON. Driver's door open. Ignition key OUT.**

**Light switch ON. Driver's door closed. Ignition key OUT.**

**Driver's door closed. Ignition switch in position I.**





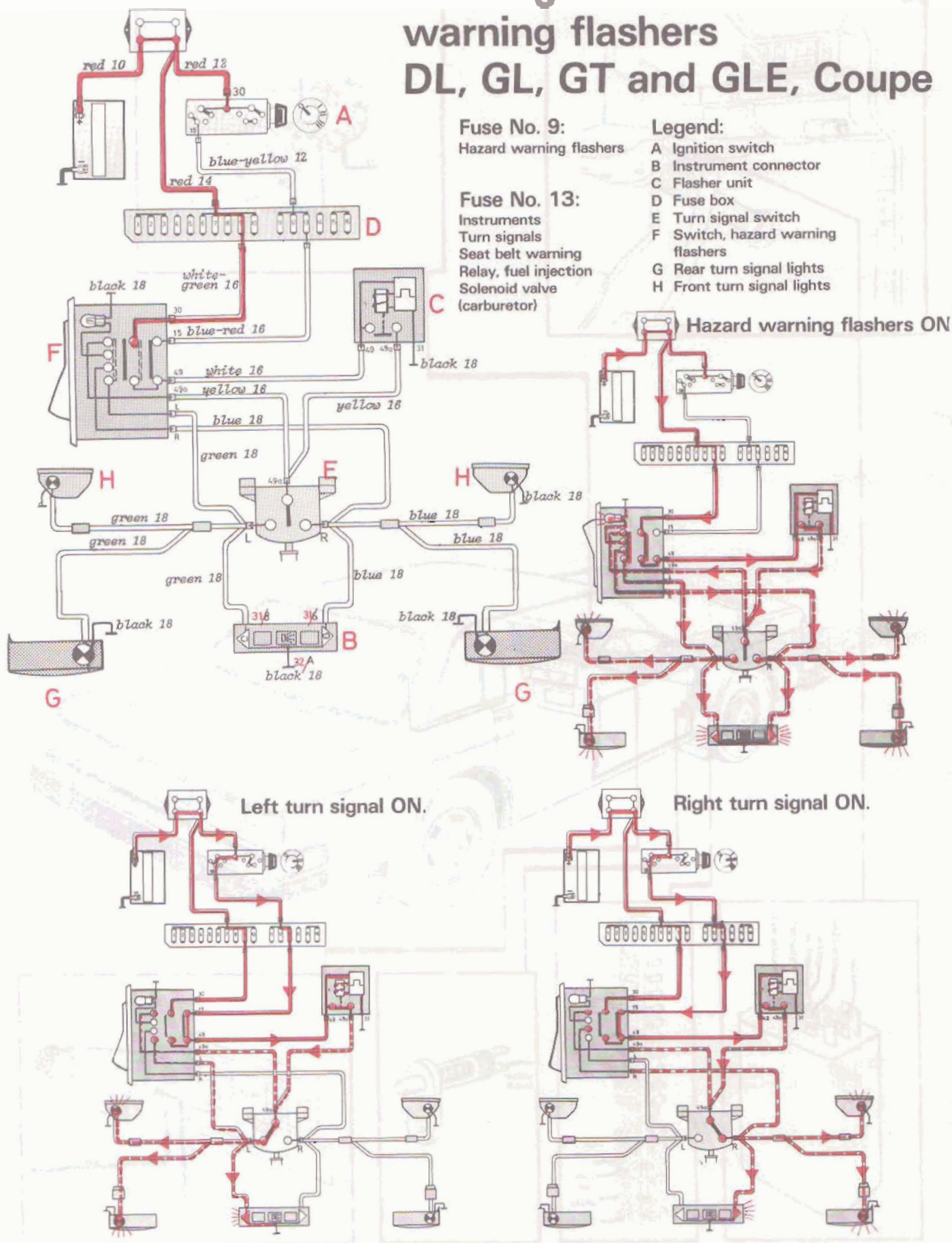
# Turn signals and hazard warning flashers DL, GL, GT and GLE, Coupe

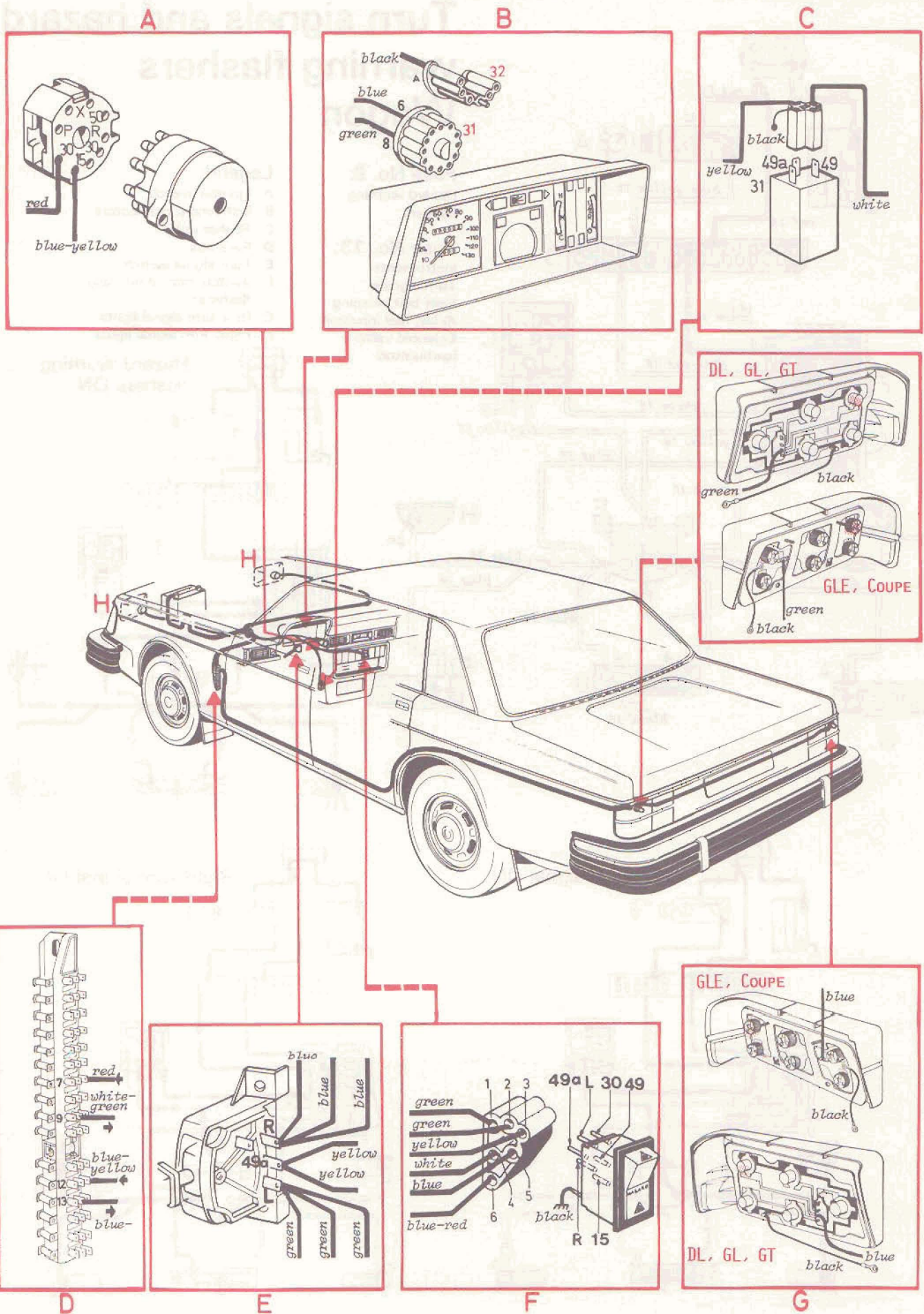
Fuse No. 9:  
Hazard warning flashers

Fuse No. 13:  
Instruments  
Turn signals  
Seat belt warning  
Relay, fuel injection  
Solenoid valve  
(carburetor)

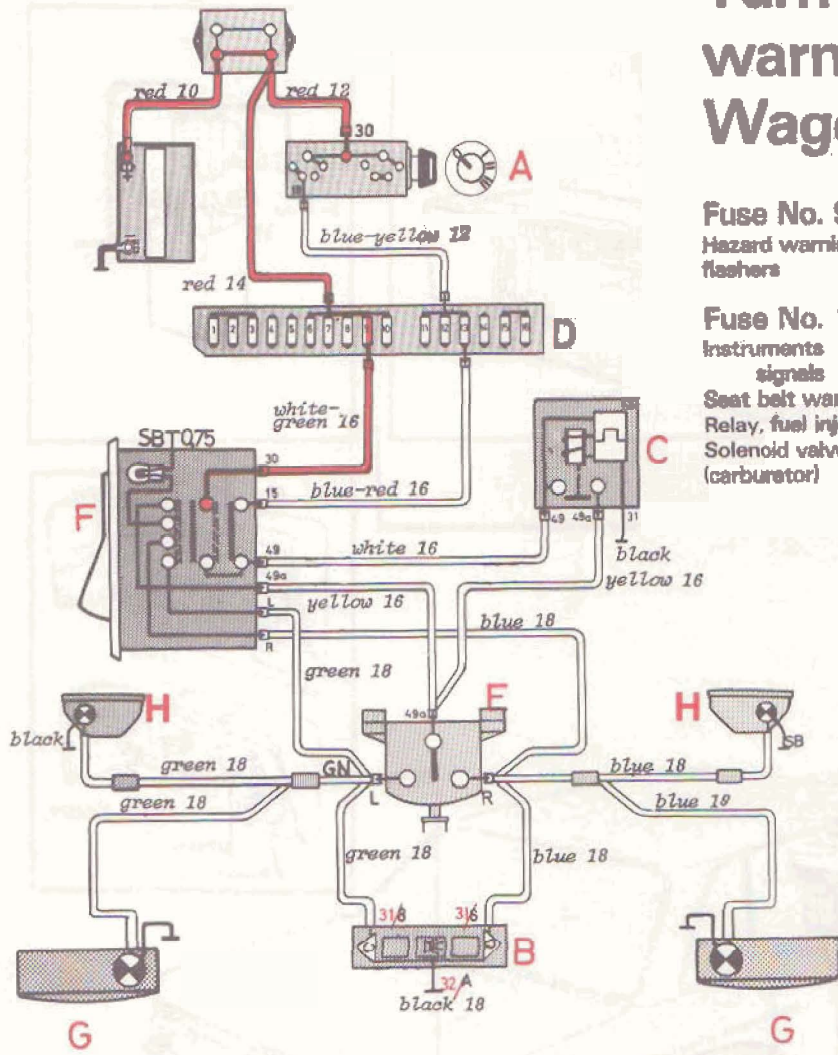
Legend:

- A Ignition switch
- B Instrument connector
- C Flasher unit
- D Fuse box
- E Turn signal switch
- F Switch, hazard warning flashers
- G Rear turn signal lights
- H Front turn signal lights





# Turn signals and hazard warning flashers Wagon



**Fuse No. 9:**  
Hazard warning flashers

**Fuse No. 13:**  
Instruments signals  
Seat belt warning  
Relay, fuel injection  
Solenoid valve  
(carburetor)

**Legend:**

- A Ignition switch
- B Instrument connectors
- C Flasher unit
- D Fuse box
- E Turn signal switch
- F Switch, hazard warning flashers
- G Rear turn signal lights
- H Front turn signal lights

