

Sida Page	Grupp Group	Övrig belysningsutrustning fram 240,260	Miscellaneous lighting equipment front 240,260	Illustration	950					
86	3	14)	14)	33090	1984-12					
Pos. Fig.	Antal/Quantity			Artikel nr Part No	Benämning	Description	Sats Kit	B P S R	Anmärkning Notes	
	24)	25)	USA CAN							
1	1	-	-	1235848-7	Blinkklykta, V	Flasher, L	2		CIBIE	0020
	1	-	-	1235849-5	Blinkklykta, H	Flasher, R	2		242,244,245,262 CIBIE	0040
	1	-	-	1259742-3	Blinkklykta, V	Flasher, L	2		(1235856) HELLA	0060
	1	-	-	1259743-1	Blinkklykta, H	Flasher, R	2		(1235857) HELLA	0080
	-	1	-	1235815-6	Blinkklykta, V	Flasher, L	2		CIBIE	0100
	-	1	-	1235816-4	Blinkklykta, H	Flasher, R	2		CIBIE	0120
	-	1	-	1259746-4	Blinkklykta, V	Flasher, L	2		(1235819) HELLA	0140
	-	1	-	1259747-2	Blinkklykta, H	Flasher, R	2		(1235820) HELLA	0160
	-	-	1	1235852-9	Blinkklykta, V	Flasher, L	2		CIBIE 240	0180
	-	-	1	1235853-7	Blinkklykta, H	Flasher, R	2		CIBIE 240	0200
	-	-	1	1258932-1	Blinkklykta, V	Flasher, L	2		(1235116) CIBIE 260	0240
	-	-	1	1258933-9	Blinkklykta, H	Flasher, R	2		(1235117) CIBIE 260	0260
	-	-	1	1259738-1	Blinkklykta, V	Flasher, L	2		(1235860) HELLA 240	0280
	-	-	1	1259739-9	Blinkklykta, H	Flasher, R	2		(1235861) HELLA 240	0300
	-	-	1							0320
2	1	-	-	1215710-3	.Glas, V	.Lens, L	1		CIBIE	0340
	1	-	-	1215711-1	.Glas, H	.Lens, R	1		CIBIE	0380
	1	-	-	1234140-0	.Glas, V	.Lens, L	1		(1234522) HELLA	0400
	1	-	-	1234141-8	.Glas, H	.Lens, R	1		(1234523) HELLA	0420
	-	-	1	1215712-9	.Glas, V	.Lens, L	1		CIBIE 240	0440
	-	-	1	1215713-7	.Glas, H	.Lens, R	1		CIBIE 240	0460
	-	-	1	1235325-6	.Glas, V	.Lens, L	1		CIBIE 260	0480
	-	-	1	1235326-4	.Glas, H	.Lens, R	1		CIBIE 260	0500
	-	-	1	1234138-4	.Glas, V	.Lens, L	1		HELLA	0520
	-	-	1	1234139-2	.Glas, H	.Lens, R	1		HELLA	0540
3	3	-	3	1212823-7	..Skruv	..Screw	2		CIBIE	0560
	3	-	3	955130-0	..Skruv	..Screw	2		HELLA	0580
4	3	-	3	1214128-9	..Bricka	..Washer	2		CIBIE	0600
	3	-	3	1212692-6	..Bricka	..Washer	2		HELLA	0620
5	1	-	1		.Hus	.Housing	8			0640
6	1	1	1	1215660-0	..Packning	..Packing	2		CIBIE	0660
	1	1	1	1234148-3	..Packning	..Packing	2		HELLA	0680
7	1	1	1	1215621-2	..Kabelgenomföring	..Wire inlet	2		CIBIE	0700
	1	1	1	941267-7	..Kabelgenomföring	..Wire inlet	2		(941263) HELLA	0720
8	1	1	-	965826-1	.Glödlampa	.Bulb	1		4) 12V 21W BA15S	0740
	-	-	1	949281-0	.Glödlampa, gul	.Bulb yellow	1		12V 32/3CP	0760
	1	-	-	273556-1	.Glödlampsats	.Bulb set	1			0800
	2	2	-	965826-1	..Glödlampa	..Bulb	S1		12V 21W BA15S	0820
9	1	-	-	965828-7	.Glödlampa	.Bulb	1		4) 12V 5W BA15S	0840
	-	-	1	949281-0	.Glödlampa, gul	.Bulb, yellow	1		12V 32/3CP	0860
	-	-	-	964212-5	.Glödlampa	.Bulb	1		4) 12V 32/3CP	0880
	1	-	-	273555-3	.Glödlampsats	.Bulb set	1			0920
	2	-	-	965828-7	..Glödlampa	..Bulb	S1		4) 12V 5W BA15S	0940
	-	-	-	273557-9	.Glödlampsats	.Bulb set	1			0960
	-	2	-	964212-5	..Glödlampa	..Bulb	S1		4) 12V 32/3CP	0980
	-	1	-	967819-4	.Glödlampa	.Bulb	1		12V 21/5W BAY15D MÄRKT E	1000
10	1	1	1	1215661-8	.Tätninglist, V	.Sealing strip, L	2		CIBIE	1020
										1040
										1060
										1080

4. " Long Life" glödlampor. " Long Life" bulbs. " Long Life" ampoules. " Long Life" glühlampen.
" Long Life" bombillas. Bulbi " Long life".
14. 242 CH-189179, 244 CH-592109, 245 CH-317939, 262 CH-8374, 264 CH-107609, 265 CH-28319.
24. Utan varselljus. Without day notice lights. Sans feux de signalisation. Ohne erkennungsleuchten. Sin luces diurnas de advertencia. Senza luci d'avvertimento.
25. Med varselljus. With day notice lights. Avec feux de signalisation. Mit erkennungsleuchten. Con luces diurnas de advertencia. Con luci d'avvertimento.

Lot / max 180

2weder

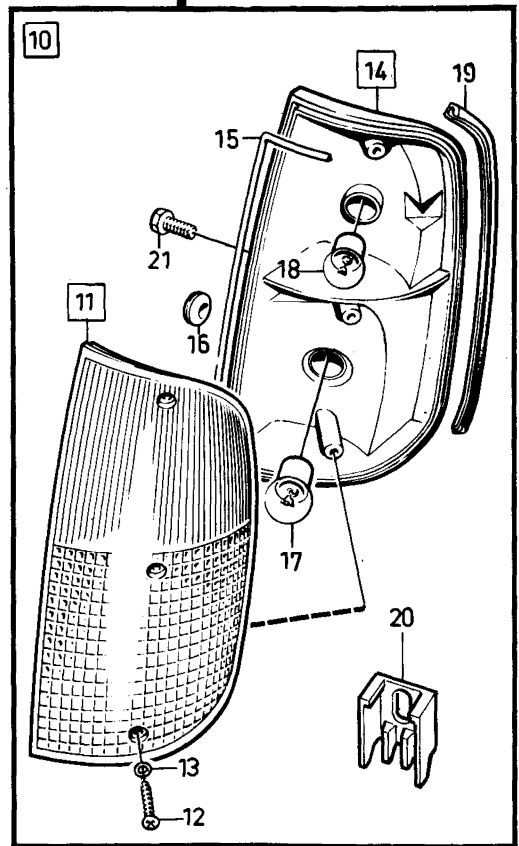
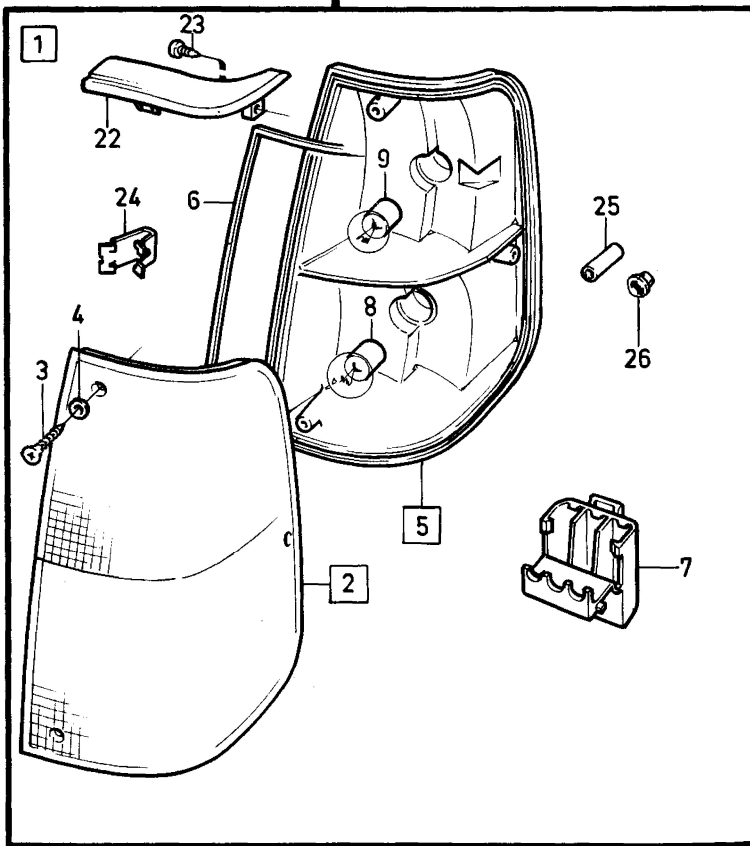
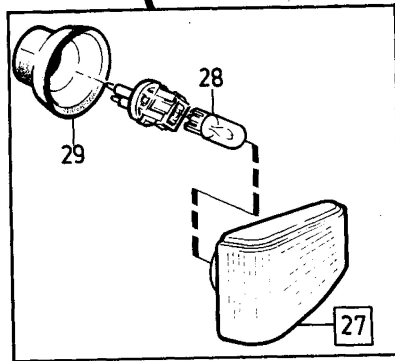
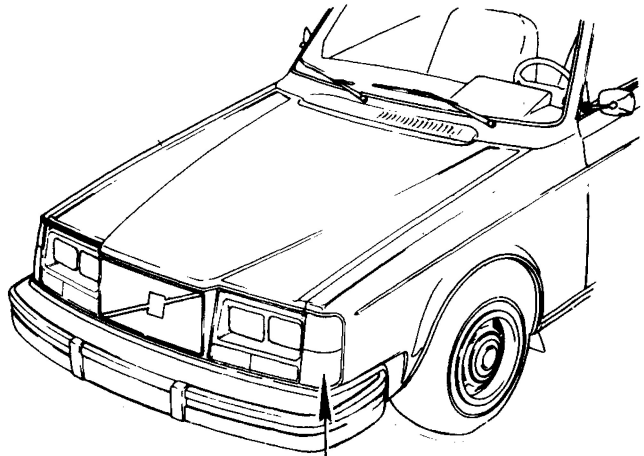
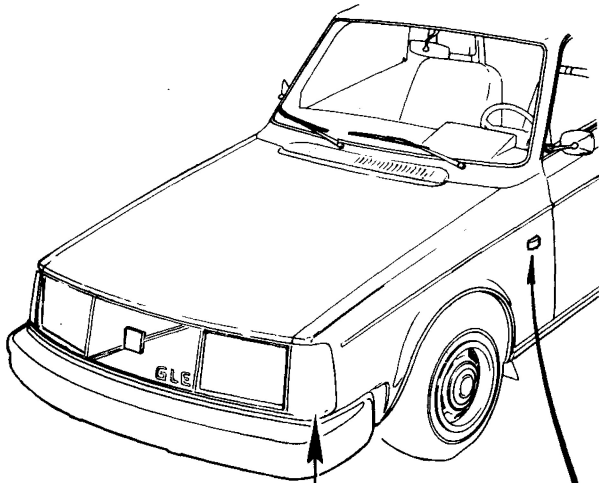
Europe

Sida Page	Grupp Group	Övrig belysningsutrustning fram 240,260	Miscellaneous lighting equipment front 240,260	Illustration 33090 1984-12	0950					
88	3	14)	14)							
Pos. Fig.	Antal/Quantity			Artikel nr Part No	Benämning	Description	Sats Kit	B P S R	Anmärkning Notes	
	24)	25)	USA CAN							
	1	1	1	-	1234385-1	.Tätninglist, H.....	.Sealing strip, R.....	2	CIBIE	1100
	1	1	1	-	1234146-7	.Tätninglist, V.....	.Sealing strip, L.....	2	HELLA	1120
	1	1	1	-	1234147-5	.Tätninglist, H.....	.Sealing strip, R.....	2	HELLA	1140
11	2	2	2	-	1258476-9	Mellanlägg.....	Spacer.....	2	CIBIE	1160
12	2	2	2	-	946544-4	Skruv.....	Screw.....	2		1180
13	2	2	2	-	960139-4	Bricka.....	Washer.....	2	HELLA	1200
14	2	-	-	-	1235461-9	Blinkers.....	Direction indicator.....	2	ITALY	1300
15	4	-	-	-	955120-1	Skruv.....	Screw.....	2	ITALY	1320
16	2	-	-	-		Bussning.....	Bushing.....	8	ITALY	1340
17	-	-	-	-		Fjärrljus, dimljus.....	Spotlight, fog light.....	8	242GT	1360
18	2	-	-	-	1277107-7	.Fjärrljus.....	.Spot light.....	3	(1235385) EXCL USA,CAN,SWEDEN	1400
	-	2	-	-	1277105-1	.Dimljus.....	.Fog light.....	3	(1235269) SWEDEN	1420
	-	-	2	-	1277106-9	.Dimljus.....	.Fog light.....	3	(1235384) USA,CAN	1440
19	1	-	-	-	1277107-7	..Insats.....	..Insert.....	8	(1235830)	1460
	-	1	-	-	1277105-1	..Insats.....	..Insert.....	8	(1235832)	1480
	-	-	1	-	1277106-9	..Insats.....	..Insert.....	8	(1235831)	1500
20	1	1	1	-	1235833-9	..Hållare.....	..Retainer.....	4		1540
21	1	1	1	-	965320-5	..Skruv.....	..Screw.....	2		1560
22	2	2	2	-	1235631-7	.Konsol.....	.Bracket.....	3		1580
23	4	4	4	-	945414-1	.Skruv.....	.Screw.....	2		1600
24	6	6	6	-	942605-7	.Bricka.....	.Washer.....	2		1620
25	2	2	2	-	949335-4	.Skruv.....	.Screw.....	2	(949441)	1640
26	2	2	2	-	945407-5	.Mutter.....	.Nut.....	2		1660
27	2	2	2	-	1235924-6	.Tryckfjäder.....	.Compression spring.....	2		1680
28	2	2	2	-	656456-1	.Gummihätta.....	.Rubber seal.....	2		1700
29	2	2	2	-	945987-6	.Låsbricka.....	.Lock washer.....	2		1720

14. 242 CH-189179, 244 CH-592109, 245 CH-317939, 262 CH-8374, 264 CH-107609, 265 CH-28319.

24. Utan varselljus. Without day notice lights. Sans feux de signalisation. Ohne erkennungsleuchten. Sin luces diurnas de advertencia. Senza luci d'avvertimento.

25. Med varselljus. With day notice lights. Avec feux de signalisation. Mit erkennungsleuchten. Con luces diurnas de advertencia. Con luci d'avvertimento.



VOLVO PARTS
1 030 34149
(103:5)

Sida Page	Grupp Group	Övrig belysningsutrustning fram 240,260	Miscellaneous lighting equipment front 240,260	Illustration	0975					
90	3	15)	15)	34149						
				1984-12						
Pos. Fig.	Antal/Quantity			Artikel nr Part No	Benämning	Description	Sats Kit	B P S R	Anmärkning Notes	
	24)	25)	USA CAN							
1	1	-	-	1259260-6	Blinklykta, V	Flasher, L	2		CIBIE	0020
	1	-	-	1259261-4	Blinklykta, H	Flasher, R	2		CIBIE	0040
	-	1	-	1259262-2	Blinklykta, V	Flasher, L	2		CIBIE	0060
	-	1	-	1259263-0	Blinklykta, H	Flasher, R	2		CIBIE	0080
2	1	-	-	1307453-9	.Glas, V	.Lens, L	1			0100
	1	-	-	1307454-7	.Glas, H	.Lens, R	1			0120
3	3	-	-	1307518-9	..Skruv	..Screw	2			0140
4	3	-	-	1214128-9	..Bricka	..Washer	2			0160
5	1	-	-		..Hus	..Housing	8			0180
6	1	-	-	1307461-2	..Packning	..Gasket	2			0200
7	1	-	-	1259828-0	..Kabelgenomföring	..Cable inlet	2			0
8	1	-	-	965826-1	.Glödlampa	.Bulb	1		12V 21W BA15S	0240
	1	-	-	273556-1	.Glödlampssats	.Bulb set	1			0260
	2	-	-	965826-1	..Glödlampa	..Bulb	1		12V 21W BA15S	0280
9	1	-	-	965829-5	.Glödlampa	.Bulb	1		12V 4CP BA15S	0300
	-	-	-	964212-5	.Glödlampa	.Bulb	1		12V 32/3CP BAY15D	0320
	-	-	-	273557-9	.Glödlampssats	.Bulb set	1			0
	-	-	-	964212-5	..Glödlampa	..Bulb	1		12V 32/3CP BAY15D	0
	-	-	-	967819-4	.Glödlampa	.Bulb	1		12V 21/5W BAY15D	0365
10	-	-	1	1258932-1	Blinklykta, V	Flasher, L	2		MÄRKT E	0370
	-	-	1	1258933-9	Blinklykta, H	Flasher, R	2		CIBIE	0420
11	-	-	1	1235325-6	.Glas, V	.Lens, L	1		CIBIE	0440
	-	-	1	1235326-4	.Glas, H	.Lens, R	1			0460
12	-	-	3	1212823-7	..Skruv	..Screw	2			0480
13	-	-	3	1214128-9	..Bricka	..Washer	2			0500
14	-	-	2		..Hus	..Housing	8			0520
15	-	-	1	1215660-0	..Packning	..Packing	2			0540
16	-	-	1	1215621-2	..Kabelgenomföring	..Cable inlet	2			0560
17	-	-	1	949281-0	.Glödlampa	.Bulb	1		12V 32/3CP BAY15D	0580
18	-	-	1	949281-0	.Glödlampa	.Bulb	1		12V 32/3CP BAY15D	0600
19	1	-	1	1215661-8	Tätninglist, V	Sealing strip, L	2			0620
	1	-	1	1234385-1	Tätninglist, H	Sealing strip, R	2			0640
20	1	-	1	1258476-9	Mellanlägg	Spacer	2			0660
21	2	-	2	946544-4	Skruv	Screw	2			0680
22	1	-	1	1307253-3	List, V, krom	Moulding, L, chrome	2			0700
	1	-	1	1307254-1	List, H, krom	Moulding, R, chrome	2			0720
	1	-	1	1307255-8	List, V, svart	Moulding, L, black	2			0740
	1	-	1	1307256-6	List, H, svart	Moulding, H, black	2			0
23	4	-	4	965393-2	Skruv	Screw	2			0800
24	2	-	2	1312102-5	Clips	Clip	2			0820
25	15	-	15	948958-4	Slang	Hose	2			0840
26	2	-	2	1312220-5	Styrhylsa	Locating sleeve	2		(1307735)	0860
27	2	-	-	1312418-5	Sidoblinklykta	Side flasher	2		27) ALT	0880
x 28	1	-	-	1312774-1	.Glödlampa	.Bulb	2		W2,1X9,5 12V5W (949671)	J
29	1	-	-	941269-3	Gummigenomföring	Rubber bushing	2		27) ALT	0920

1981

15. 242 CH 189180-, 244 CH 592110-, 245 CH 317940-, 262 CH 8375-, 264 CH 107610-, 265 CH 28320-.
24. Utan varselljus. Without day notice lights. Sans feux de signalisation. Ohne erkennungsleuchten. Sin luces diurnas de advertencia. Senza luci d'avvertimento.
25. Med varselljus. With day notice lights. Avec feux de signalisation. Mit erkennungsleuchten. Con luces diurnas de advertencia. Con luci d'avvertimento.
27. 242 CH 237370-, 244 CH 939340-, 245 CH 506270-, 265 CH 34030-.