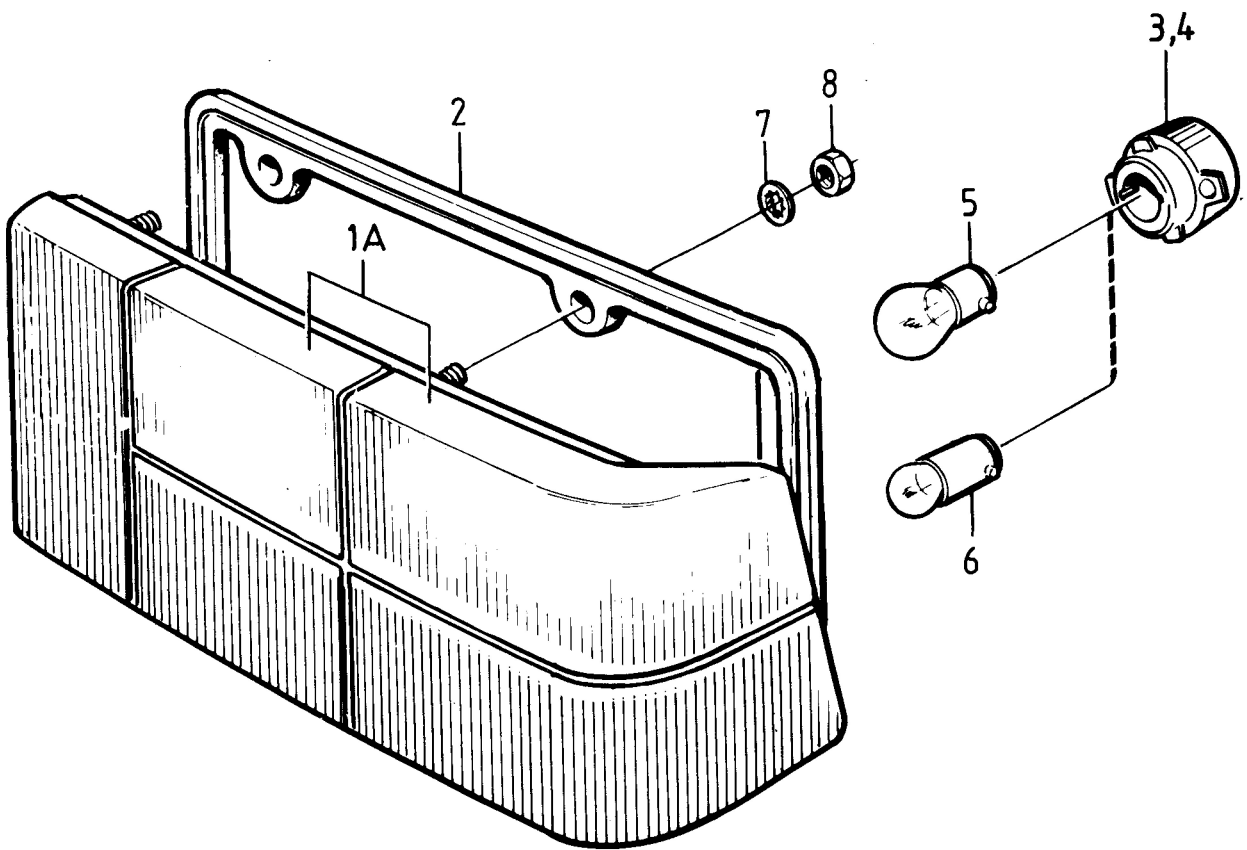


VOLVO PARTS
1 030 37341
(103:6)

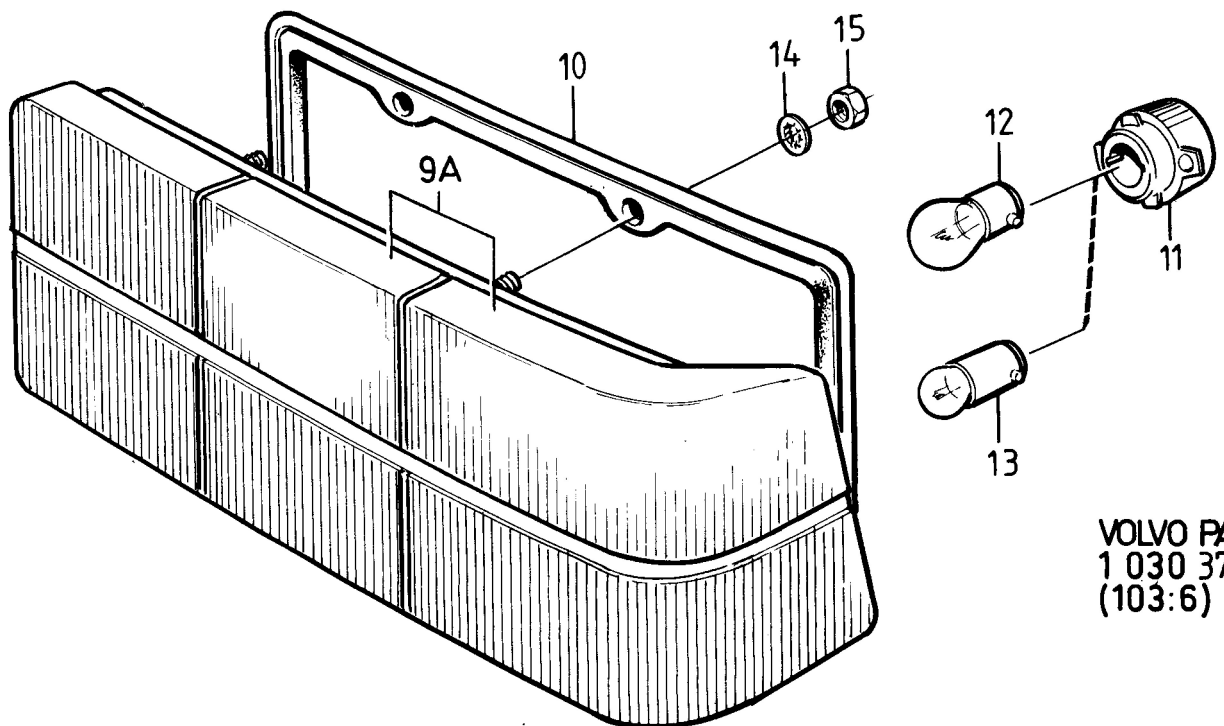
Sida Page	Grupp Group	Baklykta	Tail lamp	Illustration	1020					
96	3			37341						
				1984-12						
Pos. Fig.	Antal/Quantity			Artikel nr Part No	Benämning	Description	Sats Kit	B P S R	Anmärkning Notes	
	22)	23)	USA CAN							
1	1	-	-	1235200-1	Baklykta, V	Tail lamp, L		2	HELLA	0020
	1	-	-	1235201-9	Baklykta, H	Tail lamp, R		2	HELLA	0040
	1	-	-	1235589-7	Baklykta, V	Tail lamp, L		2	BOSCH	0060
	1	-	-	1235590-5	Baklykta, H	Tail lamp, R		2	BOSCH	0080
	-	1	-	1234669-8	Baklykta, V	Tail lamp, L		2	HELLA	0100
	-	1	-	1234670-6	Baklykta, H	Tail lamp, R		2	HELLA	0120
	-	1	-	1235585-5	Baklykta, V	Tail lamp, L		2	BOSCH	0140
	-	1	-	1235586-3	Baklykta, H	Tail lamp, R		2	BOSCH	0160
	-	-	1	1235587-1	Baklykta, V	Tail lamp, L		2	BOSCH	0180
	-	-	1	1235588-9	Baklykta, H	Tail lamp, R		2	BOSCH	0200
x	1a	-	-	3699304-6	Blinkglas, V	Flash glass, L		1	HELLA	0200
x		-	-	3699305-3	.Stoppglas, V	.Stop glass, L		1	HELLA	0200
x		-	-	3699306-1	.Blinkglas, H	.Flash glass, R		1	HELLA	0260
x		-	-	3699307-9	.Bakljus, H	.Tail glass, R		1	HELLA	0280
x		1	-	3699322-8	.Stoppglas, V	.Stop glass, L		1	HELLA	0300
x		1	-	3699333-5	.Stoppglas, H	.Stop glass, R		1	HELLA	0320
x		1	-	3699334-3	.Blinkglas, V	.Flash glass, L		1	BOSCH	0320
x		1	-	3699335-0	.Stoppglas, V	.Stop glass, L		1	BOSCH	0320
x		1	-	3699336-8	.Blinkglas, H	.Flash glass, R		1	BOSCH	0380
x		1	-	3699337-6	.Stoppglas, H	.Stop glass, R		1	BOSCH	0400
x		-	1	3699338-4	.Bakljus, V	.Tail glass, L		1	BOSCH	0420
x		-	1	3699339-2	.Bakljus, H	.Tail glass, R		1	BOSCH	0440
x		-	1	3699340-0	.Blinkglas, V	.Flash glass, L		1	BOSCH	0460
x		-	1	3699341-8	.Bakljus, V	.Tail glass, L		1	BOSCH	0480
x		-	1	3699342-6	.Blinkglas, H	.Flash glass, R		1	BOSCH	0500
x		-	1	3699343-4	.Bakljus, H	.Tail glass, R		1	BOSCH	0520
2	1	1	1	1235167-2	.Packning	.Gasket		2	HELLA	0540
	1	1	1	1235595-4	.Packning	.Gasket		2	BOSCH	0560
3	4	3	3	1258951-1	.Lamphållare	.Bulb socket		2	(1235165) HELLA 21W	0580
	4	3	3	1258950-3	.Lamphållare	.Bulb socket		2	BOSCH 21W	0600
4	1	2	2	1258952-9	.Lamphållare	.Bulb socket		2	(1235166) HELLA 5W	0620
	1	2	2	1258949-5	.Lamphållare	.Bulb socket		2	BOSCH 5W	0640
5	4	3	3	965826-1	.Glödlampa	.Bulb		1	4) 21W 12V BA15S	0660
	1	1	1	273556-1	.Glödlampsats	.Bulb set		1		0680
	2	2	2	965826-1	.Glödlampa	.Bulb		S	1) 21W 12V BA15S	0700
6	1	2	2	965828-7	.Glödlampa	.Bulb		1	4) 5W 12V BA15S	0720
	1	1	1	273555-3	.Glödlampsats	.Bulb set		1		0740
	2	2	2	965828-7	.Glödlampa	.Bulb		S	1) 5W 12V BA15S	0760
7	8	8	8	960139-4	Låsbricka	Lock washer		2		0780
8	8	8	8	955780-2	Mutter	Nut		2		0800
										0820
										0840
										0860
9	1	-	-	1234675-5	Baklykta, V	Tail lamp, L		2	31)	0880
	1	-	-	1234676-3	Baklykta, H	Tail lamp, R		2	31)	09
	1	-	-	1307769-8	Baklykta, V	Tail lamp, L		2	15,30)	0920
	1	-	-	1307770-6	Baklykta, H	Tail lamp, R		2	15,30)	0940
	-	1	-	1234673-0	Baklykta, V	Tail lamp, L		2	31)	0960
	-	1	-	1234674-8	Baklykta, H	Tail lamp, R		2	31)	0980
	-	1	-	1307767-2	Baklykta, V	Tail lamp, L		2	15,30)	1000

4. "Long Life" glödlampor. "Long Life" bulbs. "Long Life" ampoules. "Long Life" glühlampen.
"Long Life" bombillas. Bulbi "Long life".
15. 242 CH 189180-, 244 CH 592110-, 245 CH 317940-, 262 CH 8375-, 264 CH 107610-, 265 CH 28320-.
22. Med dimbakljus. With rear fog lamp. Avec phare antibrouillard. Mit neblschlusleuchte. Con faros antiniebla posteriores. Con luci antinebbia posteriori.
23. Utan dimbakljus. Without rear fog lamp. Sans phare antibrouillard. Ohne neblschlusleuchte. Sin faros antiniebla posteriores. Senza luci antinebbia posteriori.
30. Med svarta detaljer. With black rim. Avec pièces noires. Mit schwarzen details. Con detalles negros. Con dettagli neri.
31. Med kromdetaljer. With chrome rim. Avec pièces en chrome. Mit chromdetails. Con detalles cromados. Con dettagli cromati.

1



9



VOLVO PARTS
1 030 37341
(103:6)

Sida Page	Grupp Group	Baklykta	Tail lamp	Illustration	1020					
98	3			37341 1984-12						
Pos. Fig.	Antal/Quantity			Artikel nr Part No	Benämning	Description	Sats Kit	B P S R	Anmärkning Notes	
	22)	23)	USA CAN							
	-	1	-	1307768-0	Baklykta, H.....	Tail lamp, R.....	2		15,30)	1020
	-	-	1	1234677-1	Baklykta, V.....	Tail lamp, L.....	2		31)	1040
	-	-	1	1234678-9	Baklykta, H.....	Tail lamp, R.....	2		31)	1060
	-	-	1	1307771-4	Baklykta, V.....	Tail lamp, L.....	2		15,30)	1080
	-	-	1	1307772-2	Baklykta, H.....	Tail lamp, R.....	2		15,30)	1100
x	9a	-	1	3699344-2	.Blinkglas, V.....	.Flash glass, L.....	1		15) CIBIE	1120
x		-	1	3699345-9	.Bakljus, V.....	.Tail glass, L.....	1		15) CIBIE	1140
x		-	1	3699346-7	.Blinkglas, H.....	.Flash glass, R.....	1		15) CIBIE	1160
x		-	1	3699347-5	.Bakljus, H.....	.Tail glass, R.....	1		15) CIBIE	1180
		1	-	1307558-5	.Kretskort, V.....	.Circuit card, L.....	3			1200
		1	-	1307559-3	.Kretskort, H.....	.Circuit card, R.....	3			12
		-	1	1307556-9	.Kretskort, V.....	.Circuit card, L.....	3			1240
		-	1	1307557-7	.Kretskort, H.....	.Circuit card, R.....	3			1260
		-	-							1280
10	1	1	1	1235176-3	.Packning.....	.Gasket.....	2			1300
11	4	3	3	1258951-1	.Lamphållare.....	.Bulb socket.....	2		(1235165) 21W	1320
	2	2	2	1258952-9	.Lamphållare.....	.Bulb socket.....	2		(1235166) 5W	13
12	4	3	3	965826-1	.Glödlampa.....	.Bulb socket.....	1		4) 21W 12V BA15S	1300
	1	1	1	273556-1	.Glödlampsats.....	.Bulb set.....	1			1380
	2	2	2	965826-1	..Glödlampa.....	..Bulb.....	S 1		21W 12V BA15S	1400
13	1	2	2	965828-7	.Glödlampa.....	.Bulb.....	1		4)5W 12V BA15S	1420
	1	1	1	273555-3	.Glödlampsats.....	.Bulb kit.....	1			1440
	2	2	2	965828-7	..Glödlampa.....	..Bulb.....	S 1		5W 12V BA15S	1460
14	8	8	8	960138-6	.Bricka.....	.Washer.....	2			1480
15	8	8	8	955780-2	.Mutter.....	.Nut.....	2			1500

4. "Long Life" glödlampor. "Long Life" bulbs. "Long Life" ampoules. "Long Life" glühlampen.
"Long Life" bombillas. Bulbi "Long life".
15. 242 CH 189180-, 244 CH 592110-, 245 CH 317940-, 262 CH 8375-, 264 CH 107610-, 265 CH 28320-.
22. Med dimbakljus. With rear fog lamp. Avec phare antibrouillard. Mit neblschlusleuchte. Con faros antiniebla posteriores. Con luci antinebbia posteriori.
23. Utan dimbakljus. Without rear fog lamp. Sans phare antibrouillard. Ohne neblschlusleuchte. Sin faros antiniebla posteriores. Senza luci antinebbia posteriori.
30. Med svarta detaljer. With black rim. Avec pièces noires. Mit schwarzen details. Con detalles negros. Con dettagli neri.
31. Med kromdetaljer. With chrome rim. Avec pièces en chrome. Mit chromdetails. Con detalles cromados. Con dettagli cromati.