

Sida Page	Grupp Group	Bilbälte, framsäte			Seat belt, front seat			Illustration	1150		
134	9	4) 242			4) 242			34192			
		5) 244, 245, 264, 265			5) 244, 245, 264, 265			1984-12			
Pos. Fig.	Antal/Quantity				Artikel nr Part No	Benämning	Description	Sats Kit	B P S R	Anmärkning Notes	
	242	244 264	245 265								
1	2	-	-	-	1225898-4	Bilbälte kmpl.....	Seat belt cpl.....	2		AUSTRIA, SWITZERLAND CH -237369	0020
	2	-	-	-	1225898-4	Bilbälte kmpl.....	Seat belt cpl.....	2		AUSTRIA, SWITZERLAND SEN UTF SE SIDA 128, 8-F09	0030 0035 0036 0037
	2	-	-	-	1294077-1	Bilbälte kmpl.....	Seat belt cpl.....	2		DENMARK 242 CH-181069, 181100-189179.	0040 0060
	2	2	2	-	1224743-3	Bilbälte kmpl.....	Seat belt cpl.....	2		DENMARK SEN UTF. SE SIDA 128, 8-F09	0080 0100
	-	2	2	-	1225899-2	Bilbälte kmpl.....	Seat belt cpl.....	2		FINLAND	0120
	-	2	2	-	1225899-2	Bilbälte kmpl.....	Seat belt cpl.....	2		AUSTRALIA	C
	-	2	2	-	1225899-2	Bilbälte kmpl.....	Seat belt cpl.....	2		EXCL USA, CAN, JAPAN, AUSTRALIA, FINLAND, SWEDEN	0100 0180 0200
	-	2	2	-	1225899-2	Bilbälte kmpl.....	Seat belt cpl.....	2		AUSTRIA, SWITZERLAND 244 CH -939339 245 CH -506269	0205 0206 0207
	-	2	2	-	1225899-2	Bilbälte kmpl.....	Seat belt cpl.....	2		AUSTRIA, SWITZERLAND SEN UTF	0215
	-	2	2	-	1225899-2	Bilbälte kmpl.....	Seat belt cpl.....	2		SE SIDA 138, 8-F19	0216
	-	2	2	-	1225899-2	Bilbälte kmpl.....	Seat belt cpl.....	2		23) DENMARK, NORWAY.	0220
	-	2	2	-	1225899-2	Bilbälte kmpl.....	Seat belt cpl.....	2		24) DENMARK, NORWAY SE SIDA 138, 8-F19	0240 0260
	-	2	2	-	1294078-9	Bilbälte kmpl.....	Seat belt cpl.....	2		FINLAND	0280
	-	2	2	-	1225851-3	Bilbälte kmpl.....	Seat belt cpl.....	8		35) USA, CAN, JAPAN ERS AV 1313427-5	0300 0305
	-	2	2	-	1313084-4	Bilbälte kmpl.....	Seat belt cpl.....	8		37) USA, CAN, JAPAN ERS AV 1313427-5	0310 0311
	-	1	1	-	1313427-5	Bilbälte, kmpl, V.....	Seat belt, cpl, L.....	2		38) USA, CAN, JAPAN	0312
	-	-	1	1	1313428-3	Bilbälte, kmpl, H.....	Seat belt, cpl, R.....	2		38) USA, CAN, JAPAN	0314
	-	2	2	-	1225854-7	Bilbälte kmpl.....	Seat belt cpl.....	2		23) SWEDEN.	0320
	-	2	2	-	1225854-7	Bilbälte kmpl.....	Seat belt cpl.....	2		24) SWEDEN SE SIDA 138, 8-F19	0340 0360
2	2	2	2	-	1221010-0	.Bussning.....	.Bushing.....	4			0380
2a	-	1	1	-		.Beslag.....	.Pivot fitting.....	8		SEAT BELT 1313084	0390
3	1	1	1	-	1224704-5	.Styrplatta.....	.Locating plate.....	4		TID UTF	0400
4	1	1	1	-	1210572-2	.Lock.....	.Cover.....	4			0420
5	1	-	-	-	955692-9	.Skruv.....	.Screw.....	2		L 32	C
	-	1	1	-	955694-5	.Skruv.....	.Screw.....	2		L 45	0400
6	1	-	-	-	950385-5	.Låsmutter.....	.Lock nut.....	2			0480
	-	1	1	-	940153-0	.Mutter.....	.Nut.....	2			0500
7	-	1	1	-	940147-2	.Låsbricka.....	.Lock washer.....	2		TID UTF	0520
8	2	2	2	-	1210999-7	Kåpa.....	Cover.....	5			0540
9	8	8	8	-	955294-4	Skruv.....	Screw.....	2			0500
10	2	-	-	-	1204775-9	Skruv.....	Screw.....	2		L 32	0
11	2	-	-	-	944633-7	Bricka.....	Washer.....	2			0600
12	-	2	2	-	672818-2	Distansrör.....	Spacer tube.....	4			0620

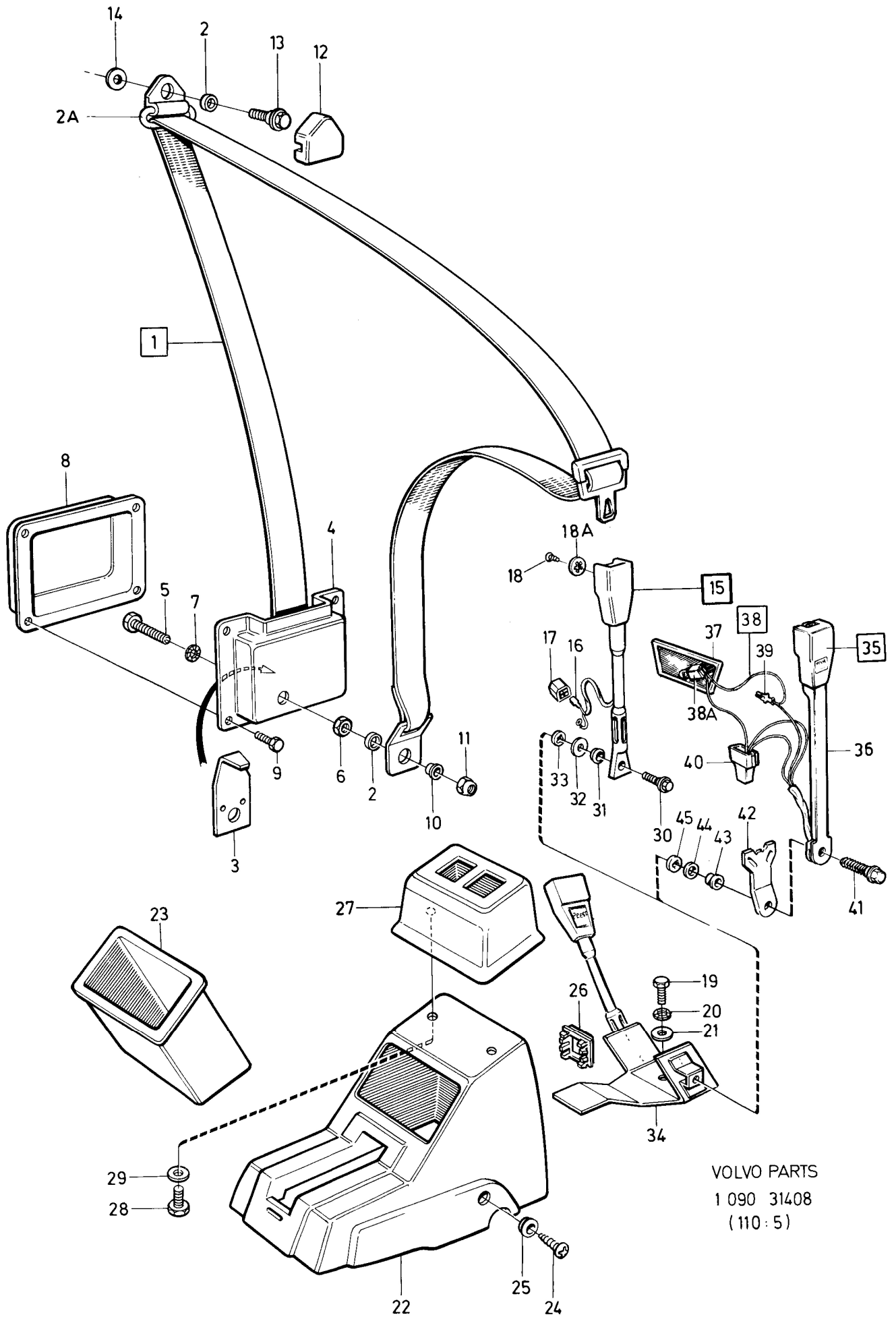
4. Danmark, Finland, Australien, Schweiz, Österrike. Denmark, Finland, Australia, Switzerland, Austria.  
Danemark, Finlande, Australie, Suisse, Autriche. Dänemark, Finnland, Australien, Schweiz, Österreich.  
Dinamarca, Finlandia, Australia, Suiza, Austria. Danimarca, Finlandia, Australia, Svizzera, Austria.
5. Excl England, Tyskland, Belgien, Holland, Frankrike, Italien. Excluding Great Britain, Germany, Belgium,  
Netherlands, France, Italy. Non compris Angleterre, Allemagne, Belgique, Hollande, France, Italie.  
Ausschl. Grossbritannien, Deutschland, Belgien, Holland, Frankreich, Italien. Excepto Gran Bretaña,  
Alemania RF, Bélgica, Holanda, Francia, Italia. Escl. Inghilterra, Germania, Belgio, Paesi Bassi,  
Francia, Italia.
23. 244 CH-550287, 555226-592109. 245 CH-296142, 299177- 317939. 264 CH-96063, 97492-107609. 265 CH-24852, 25190- 28319.
24. 244 CH 550288-555225, 592110-. 245 CH 296143-299176, 317940-. 264 CH 96064-97491, 107610-. 265 CH 24853- 25189,  
28320-.
35. 244 CH-639348, 245 CH-343148, 264 CH-115271, 265 CH- 29616.
37. 244 CH 639349-686099, 245 CH 343149-368309, 264 CH 115272-125109, 265 CH 29617-30679.
38. 244 CH 686100-, 245 CH 368310-, 264 CH 125110-, 265 CH 30680-.

Sida Page	Grupp Group	Bilbälte, framsäte		Seat belt, front seat		Illustration	1150			
136	9	4) 242		4) 242		34192				
		5) 244, 245, 264, 265		5) 244, 245, 264, 265		1984-12				
Pos. Fig.	Antal/Quantity			Artikel nr Part No	Benämning	Description	Sats Kit	B P S R	Anmärkning Notes	
	242	244 264	245 265							
13	-	2	2	-	950385-5 Låsmutter	Lock nut	2			0640
14	2	2	2	-	681533-6 Kåpa, svart	Cover, black	4			0660
	2	2	2	-	1244006-1 Kåpa, blå	Cover, blue	4			0680
	2	2	2	-	1244007-9 Kåpa, beige	Cover, beige	4			0700
	2	2	2	-	1244008-7 Kåpa, grå	Cover, grey	4			0720
	2	2	2	-	1244009-5 Kåpa, brun	Cover, brown	4			0740
15	2	-	-	-	1221304-7 Skruv	Screw	3	L 26,5		0760
	-	2	2	-	1204775-9 Skruv	Screw	2	L 32		0780
16	2	2	2	-	944633-7 Bricka	Washer	2			0800
17	1	1	1	-	1313123-0 Lås	Catch	3	(1264543)		0820
17a	1	1	1	-	..Ledningsmatta	..Cable harness	8			0
17b	1	1	1	-	1215509-9 ..Belysning	..Ash-tray light	3			0860
17c	1	1	1	-	942327-8 ..Lampa	..Bulb	1			0880
18	1	1	1	-	955691-1 Skruv	Screw	2			0900
19	1	1	1	-	940147-2 Låsbricka	Lock washer	2			0920
20	1	1	1	-	944633-7 Bricka	Washer	2			0940
21	1	1	1	-	1207923-2 Kåpa, svart	Cover, black	8	ERS AV 1ST 1264726-9, 1ST 1350276-0		0
	1	1	1	-	1264726-9 Kåpa, svart	Cover, black	4			005
	1	1	1	-	1244254-7 Kåpa, blå	Cover, blue	8	ERS AV 1ST 1244014-5, 1ST 1350276-0		0970
	1	1	1	-	1244014-5 Kåpa, blå	Cover, blue	3			0980
	1	1	1	-	1244255-4 Kåpa, beige	Cover, beige	8	ERS AV 1ST 1244015-2, 1ST 1350276-0		0985
	1	1	1	-	1244015-2 Kåpa, beige	Cover, beige	3			0990
	1	1	1	-	1244256-2 Kåpa, grå	Cover, grey	8	ERS AV 1ST 1244016-0, 1ST 3550276-0		1000
	1	1	1	-	1244016-0 Kåpa, grey	Cover, grey	3			1005
	1	1	1	-	1244257-0 Kåpa, brun	Cover, brown	8	ERS AV 1ST 1244017-8, 1ST 1350276-0		1010
	1	1	1	-	1244017-8 Kåpa, brun	Cover, brown	3			1020
21a	1	1	1	-	1350276-0 Täckkåpa	Cover	4			1025
22	2	2	2	-	947251-5 Skruv	Screw	2			1030
23	2	2	2	-	1210473-3 Hylsa, svart	Sleeve, black	3			1040
	2	2	2	-	1244010-3 Hylsa, blå	Sleeve, blue	3			1050
	2	2	2	-	1244011-1 Hylsa, beige	Sleeve, beige	3			1060
	2	2	2	-	1244012-9 Hylsa, grå	Sleeve, grey	3			1080
	2	2	2	-	1244013-7 Hylsa, brun	Sleeve, brown	3			1100
24	1	1	1	-	1224588-2 Lock, svart	Cover, black	4			1120
	1	1	1	-	1244704-1 Lock, blå	Cover, blue	4			1140
	1	1	1	-	1244703-3 Lock, beige	Cover, beige	4			1160
	1	1	1	-	1244702-5 Lock, grå	Cover, grey	4			1200
	1	1	1	-	1244701-7 Lock, brun	Cover, brown	4			1220
	1	1	1	-	1264381-3 Kåpa	Cover	5	9)		1240
25	1	1	1	-	958238-8 Skruv	Screw	2	9)		1260
26	2	2	2	-	960138-6 Bricka	Washer	2	9)		1280
27	2	2	2	-						1320

4. Danmark, Finland, Australien, Schweiz, Österrike. Denmark, Finland, Australia, Switzerland, Austria.  
Danemark, Finlande, Australie, Suisse, Autriche. Dänemark, Finnland, Australien, Schweiz, Österreich.  
Dinamarca, Finlandia, Australia, Suiza, Austria. Danimarca, Finlandia, Australia, Svizzera, Austria.
5. Excl England, Tyskland, Belgien, Holland, Frankrike, Italien. Excluding Great Britain, Germany, Belgium, Netherlands, France, Italy. Non compris Angleterre, Allemagne, Belgique, Hollande, France, Italie.  
Ausschl. Grossbritannien, Deutschland, Belgien, Holland, Frankreich, Italien. Excepto Gran Bretaña, Alemania RF, Bélgica, Holanda, Francia, Italia. Escl. Inghilterra, Germania, Belgio, Paesi Bassi, Francia, Italia.
9. 242 CH-165569, 244 CH-482504, 245 CH-264754, 264 CH-83054, 265 CH-21774.

Sida Page	Grupp Group	Bilbälte, framsäte		Seat belt, front seat		Illustration	1200				
138	9	6) 244, 245, 264, 265.		6) 244, 245, 264, 265.		31408					
		24) Sverige, Norge, Danmark		24) Sweden, Norway, Denmark		1984-12					
Pos. Fig.	Antal/Quantity				Artikel nr Part No	Benämning	Description	Sats Kit	B P S R	Anmärkning Notes	
	244 264	245 265									
1	2	2	-	-	1244267-9	Bilbälte kompl.....	Seat belt cpl.....		2	6, 35) EXCL GREAT BRIT	0020
	2	2	-	-	1313085-1	Bilbälte kompl.....	Seat belt cpl.....		2	6, 51) EXCL GREAT BRIT	0040
	2	2	-	-	1313110-7	Bilbälte kompl.....	Seat belt cpl.....		2	6, 52) EXCL GREAT BRIT ERS AV 1ST 1244424-6	0050 0055
	2	2	-	-	1244267-9	Bilbälte kompl.....	Seat belt cpl.....		2	12, 19) GREAT BRITAIN	0060
	2	2	-	-	1225848-9	Bilbälte kompl.....	Seat belt cpl.....		8	11) GREAT BRITAIN ERS AV 1244267-9	0080 0100
	2	2	-	-	1244419-6	Bilbälte kompl.....	Seat belt cpl.....		8	25) SWEDEN, NORWAY, DENMARK. ERS AV 1313110-7	0120 0140 0160
	2	2	-	-	1244424-6	Bilbälte kompl.....	Seat belt cpl.....		2	26, 35) SWEDEN,NORWAY, DENMARK	( 0200
	2	2	-	-	1244424-6	Bilbälte kompl.....	Seat belt cpl.....		2	26) GREAT BRITAIN	0240
	2	2	-	-	1244424-6	Bilbälte kompl.....	Seat belt cpl.....		2	AUSTRIA, SWITZERLAND 244 CH 939340- 245 CH 506270- 265 CH 34030-	0270 0275 0276
	2	2	-	-	1313110-7	Bilbälte kompl.....	Seat belt cpl.....		8	36) SWEDEN, NORWAY, DENMARK ERS AV 1244424-6	0300 0310 0320
2	2	2	-	-	1221010-0	.Bussning.....	.Bushing.....		4		0340
2a	1	1	-	-	681493-3	.Beslag.....	.Pivot fitting.....		5		0360
3	1	1	-	-	1224704-5	.Styrplatta.....	.Locating plate.....		4	SEAT BELT 1244267	0380
4	1	1	-	-	1210572-2	.Lock.....	.Cover.....		4		0400
	1	1	-	-	1244774-4	.Lock.....	.Cover.....		4	SEAT BELT 1244424	0420
	1	1	-	-	1244771-0	.Lock.....	.Cover.....		4	SEAT BELT 1313110	0440
5	1	1	-	-	955694-5	.Skruv.....	.Screw.....		2	L 45	0460
	1	1	-	-	955693-7	.Skruv.....	.Screw.....		2	L 38	0480
6	1	1	-	-	940153-0	.Mutter.....	.Nut.....		2		0500
7	1	1	-	-	940147-2	.Låsbricka.....	.Lock washer.....		2		0520
8	2	2	-	-	1210999-7	Kåpa.....	Cover.....		5		0540
9	8	8	-	-	955294-4	Skruv.....	Screw.....		2		0560
10	2	2	-	-	672818-2	Distansrör.....	Spacer tube.....		4		0580
11	2	2	-	-	950385-5	Låsmutter.....	Lock nut.....		2		0600
12	2	2	-	-	681533-6	Kåpa, svart.....	Cover, black.....		4		0620
	2	2	-	-	1244006-1	Kåpa, blå.....	Cover, blue.....		4		0640
	2	2	-	-	1244007-9	Kåpa, beige.....	Cover, beige.....		4		
	2	2	-	-	1244008-7	Kåpa, grå.....	Cover, grey.....		4		
	2	2	-	-	1244009-5	Kåpa, brun.....	Cover, brown.....		4		
13	2	2	-	-	1204775-9	Skruv.....	Screw.....		2		0700
14	2	2	-	-	944633-7	Bricka.....	Washer.....		2		0720
15	1	1	-	-	1244263-8	Lås.....	Catch.....		3	(1264542) ALT 1	0740
16	3	3	-	-	949490-7	.Ledningssko.....	.Cable terminal.....		1	(958203)	0760
17	1	1	-	-	958212-3	.Kontaktidon.....	.Housing.....		2		0780
18	1	1	-	-	955136-7	Skruv, jordning.....	Screw, earth.....		2		0800
18a	1	1	-	-	955946-9	Låsbricka,jordning.....	Lock washer, earth.....		2		0820

6. England, Tyskland, Belgien, Holland, Frankrike, Italien. Great Britain, Germany, Belgium, Netherlands, France, Italy. Angleterre, Allemagne, Belgique, Hollande, France, Italie. Grossbritannien, Deutschland, Belgien, Holland, Frankreich, Italien. Gran Bretaña, Alemania RF, Bélgica, Holanda, Francia, Italia. Inghilterra, Germania, Belgio, Paesi Bassi, Francia, Italia.
11. 244 CH-482504, 245 CH-264754, 264 CH-83054, 265 CH-21774.
12. 244 CH 482505-, 245 CH 264755-, 264 CH 83055-, 265 CH 2177 4-.
19. 242 CH-189179, 244 CH-592109, 245 CH-317939, 262 CH- 8374, 264 CH-107609, 265 CH-28319.
24. 244 CH 550288-555225, 592110-. 245 CH 296143-299176, 317940-. 264 CH 96064-97491, 107610-. 265 CH 24853- 25189, 28320-.
25. 244 CH 550288-555225, 245 CH 296143-299176, 264 CH 96064-97491, 265 CH 24853-25189.
26. 244 CH 592110-, 245 CH 317940-, 264 CH 107610-, 265 CH 28320-.
35. 244 CH-639348, 245 CH-343148, 264 CH-115271, 265 CH- 29616.
36. 244 CH 639349-, 245 CH 343149-, 264 CH 115272-, 265 CH 29617-.
51. 244 CH 639349-925499, 245 CH 343149-498199.
52. 244 CH 925500-. 245 CH 498200-.



VOLVO PARTS  
 1 090 31408  
 (110:5)





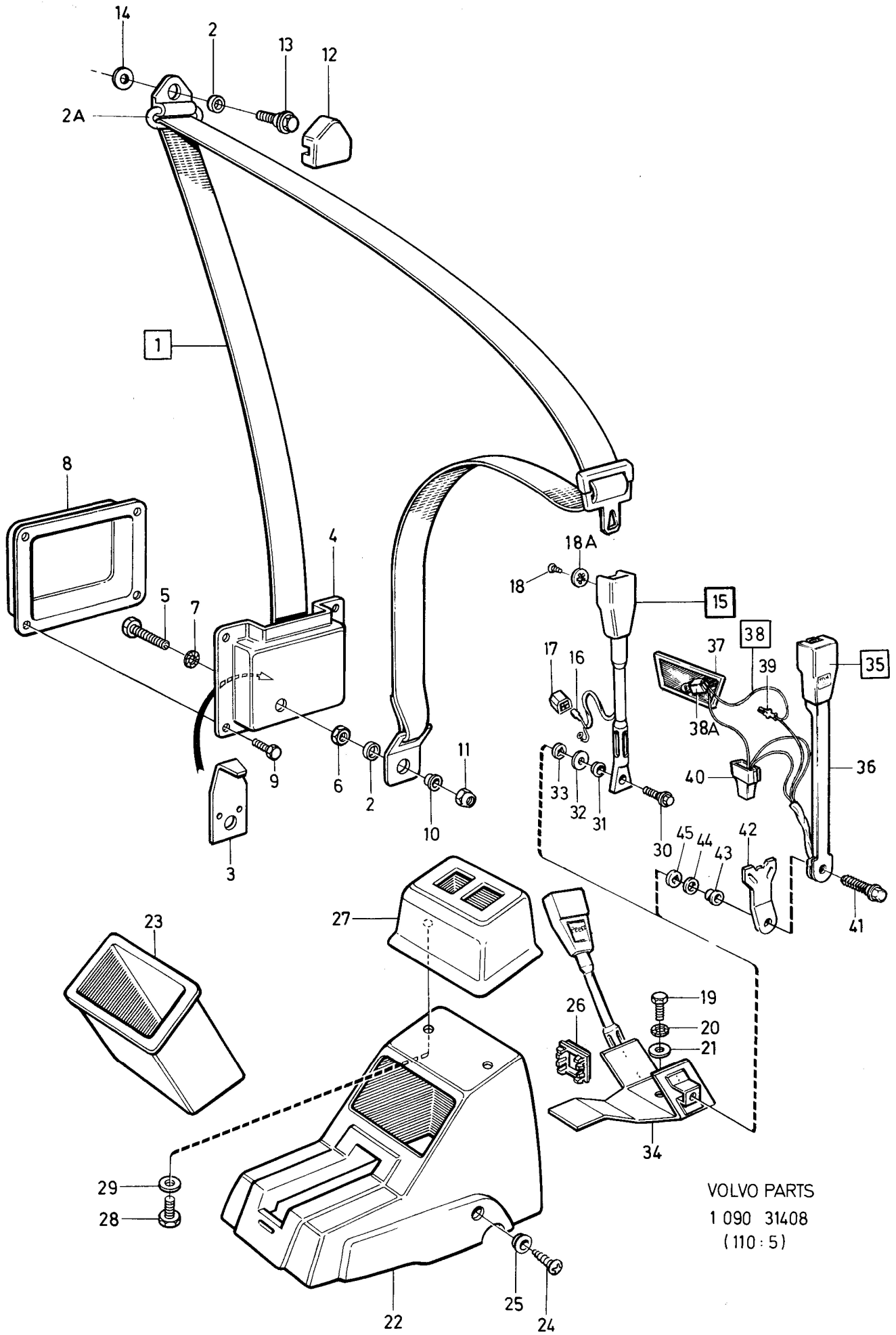
Sida Page	Grupp Group	Bilbälte, framsäte 6) 244, 245, 264, 265.		Seat belt, front seat 6) 244, 245, 264, 265.		Illustration 31408	1200				
140	9	24) Sverige, Norge, Danmark		24) Sweden, Norway, Denmark		1984-12					
Pos. Fig.	Antal/Quantity				Artikel nr Part No	Benämning	Description	Sats Kit	B P S R	Anmärkning Notes	
	244 264	245 265									
19	1	1	-	-	955691-1	Skruv.....	Screw.....		2	11) L25MM	0840
	1	1	-	-	955689-5	Skruv.....	Screw.....		2	12) L19MM	0860
20	1	1	-	-	940147-2	Låsbricka.....	Lock washer.....		2		0880
21	1	1	-	-	944633-7	Bricka.....	Washer.....		2	11)	0900
22	1	1	-	-	1264726-9	Kåpa, svart.....	Cover, black.....		4		0920
	1	1	-	-	1244014-5	Kåpa, blå.....	Cover, blue.....		3		0940
	1	1	-	-	1244015-2	Kåpa, beige.....	Cover, beige.....		3		0960
	1	1	-	-	1244017-8	Kåpa, brun.....	Cover, brown.....		3		0980
	1	1	-	-	1244016-0	Kåpa, grå.....	Cover, grey.....		3	(1244021)	1000
23	1	1	-	-	1244479-0	Fack.....	Box.....		4	11) (1264745)	1020
	1	1	-	-	1244479-0	Fack, svart.....	Box, black.....		4	12)	
	1	1	-	-	1244480-8	Fack, blå.....	Box, blue.....		4	12)	1000
	1	1	-	-	1244481-6	Fack, beige.....	Box, beige.....		4	12)	1080
	1	1	-	-	1244483-2	Fack, brun.....	Box, brown.....		4	12)	1100
	1	1	-	-	1244482-4	Fack, grå.....	Box, grey.....		4	12)	1120
24	2	2	-	-	947251-5	Skruv.....	Screw.....		2		1140
25	2	2	-	-	1210473-3	Hylsa, svart.....	Sleeve, black.....		3		
	2	2	-	-	1244010-3	Hylsa, blå.....	Sleeve, blue.....		3		
	2	2	-	-	1244011-1	Hylsa, beige.....	Sleeve, beige.....		3		1200
	2	2	-	-	1244013-7	Hylsa, brun.....	Sleeve, brown.....		3		1220
26	1	1	-	-	1224588-2	Lock, svart.....	Cover, black.....		4		1240
	1	1	-	-	1244704-1	Lock, blå.....	Cover, blue.....		4		1260
	1	1	-	-	1244703-3	Lock, beige.....	Cover, beige.....		4		1280
	1	1	-	-	1244702-5	Lock, grå.....	Cover, grey.....		4		1300
	1	1	-	-	1244701-7	Lock, brun.....	Cover, brown.....		4		1320
27	1	1	-	-	1264381-3	Kåpa.....	Cover.....		5	11)	1340
28	2	2	-	-	958238-8	Skruv.....	Screw.....		2	11)	1360
29	2	2	-	-	960138-6	Bricka.....	Washer.....		2	11)	1380
30	2	2	-	-	1204775-9	Skruv.....	Screw.....		2		1400
31	2	2	-	-	1254346-8	Plastgenomföring.....	Plastic gromet.....		3		1420
32	2	2	-	-	944633-7	Bricka.....	Washer.....		2		1440
33	2	2	-	-		Plastbricka.....	Plastic washer.....		8		1460
34	1	1	-	-	1264747-5	Konsol.....	Bracket.....		8	11) ERS AV 1244404-8	1480
	1	1	-	-	1244404-8	Konsol.....	Bracket.....		4	12)	1500
35	1	1	-	-		Lås kmp1.....	Catch cpl.....		8	ALT 2	1520
36	1	1	-	-	1244344-6	.Låsarm, V.....	.Buckle arm, L.....		3		1540
	1	1	-	-	1244345-3	.Låsarm, H.....	.Buckle arm, R.....		8	ERS AV 1ST 1370053-9, 3ST 949490-7, 1ST 958212-3	1560
x	1	1	-	-	1370057-0	.Låsarm, V.....	.Buckle arm, L.....		3	GREAT BRITAIN	1573
x	1	1	-	-	1370060-4	.Låsarm, H.....	.Buckle arm, R.....		3	GREAT BRITAIN	1575
37	1	1	-	-	1215509-9	.Askkoppsbelysning.....	.Ash-tray light.....		3		1580
38	1	1	-	-	1313546-2	.Ledningsmatta.....	.Cable harness.....		5		1600
38a	1	1	-	-	942327-8	..Lampa.....	..Bulb.....		1		1620
39	1	1	-	-	956946-8	..Kabelsko.....	..Cable terminal.....		1		
40	1	1	-	-	958212-3	.Kontaktidon.....	.Housing.....		2		1660
41	2	2	-	-	1204775-9	.Skruv.....	.Screw.....		2		1680
42	2	2	-	-	1313328-5	.Bricka.....	.Washer.....		8	GREAT BRITAIN	1700
43	2	2	-	-	1221010-0	.Bussning.....	.Bushing.....		4		1720
44	2	2	-	-	944633-7	.Bricka.....	.Washer.....		2		1740
45	2	2	-	-		.Plastbricka.....	.Plastic washer.....		8		1760

6. England, Tyskland, Belgien, Holland, Frankrike, Italien. Great Britain, Germany, Belgium, Netherlands, France, Italy. Angleterre, Allemagne, Belgique, Hollande, France, Italie. Grossbritannien, Deutschland, Belgien, Holland, Frankreich, Italien. Gran Bretaña, Alemania RF, Bélgica, Holanda, Francia, Italia. Inghilterra, Germania, Belgio, Paesi Bassi, Francia, Italia.

11. 244 CH-482504, 245 CH-264754, 264 CH-83054, 265 CH-21774.

12. 244 CH 482505-, 245 CH 264755-, 264 CH 83055-, 265 CH 2177 4-.

24. 244 CH 550288-555225, 592110-. 245 CH 296143-299176, 317940-. 264 CH 96064-97491, 107610-. 265 CH 24853- 25189, 28320-.



VOLVO PARTS  
 1 090 31408  
 (110:5)