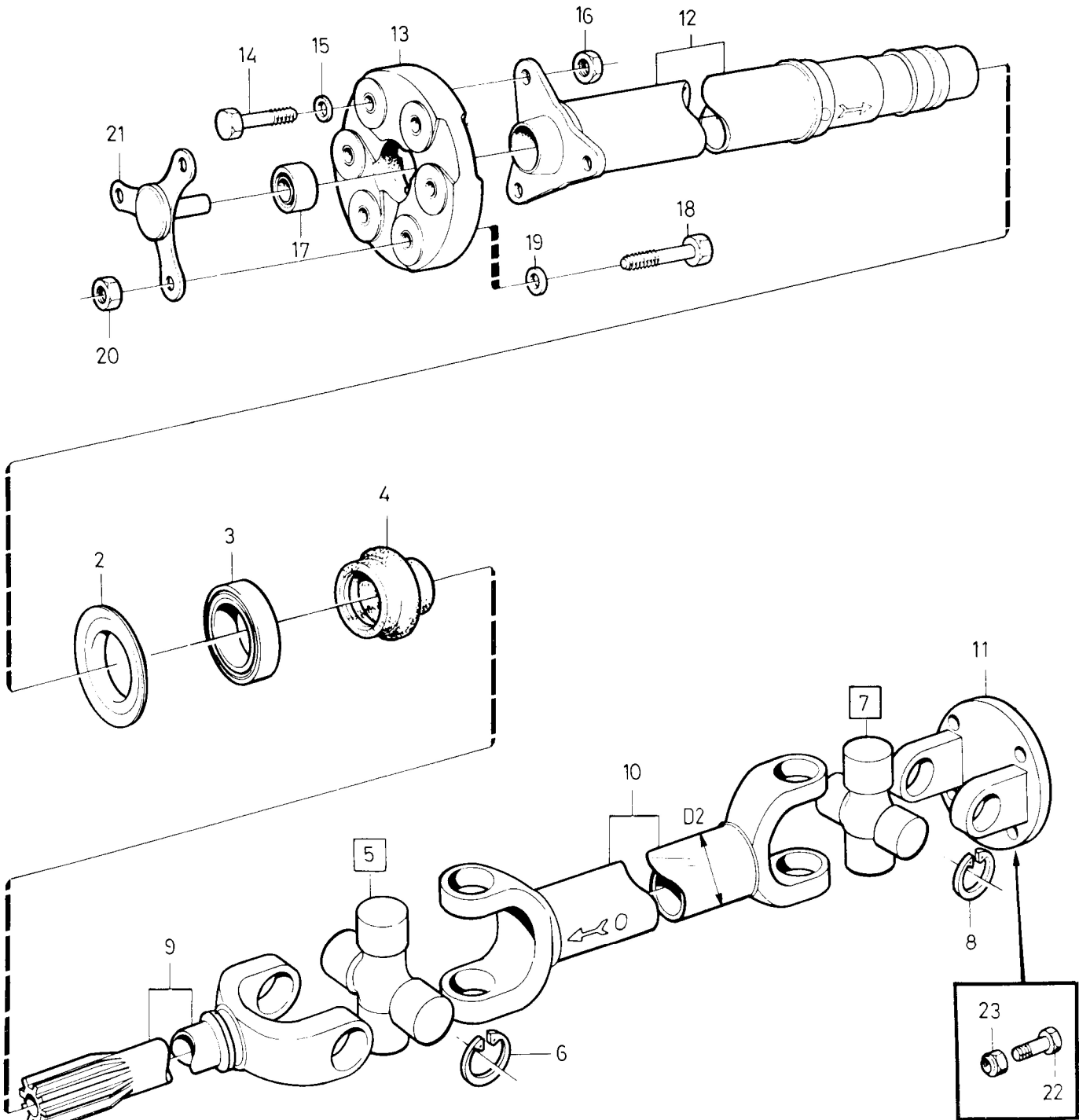


1



A	D1/D2 50,8 mm					P S	Description	Benämning	Notes Anmärkning	S R				
	B										PROPELLER SHAFT	KARDANAXEL	Group Grupp	
	C												45	
	D												Page Sida	
	E											TYPE 03	755	
Fig	Part No. Artikel nr	Quantity /Antal												
		A	B	C	D	E								
1	3502043-7	1	-	-	-	-	Propeller shaft .....	Kardanaxel .....	1)	4				
	3502415-7	1	-	-	-	-	Propeller shaft .....	Kardanaxel .....	2) 3)	4				
2	678995-2	1	-	-	-	-	•Dust cover .....	•Dammskydd .....		2				
3	183265-8	1	-	-	-	-	•Ball bearing .....	•Kullager .....		2				
4	1340504-8	1	-	-	-	-	•Bellows .....	•Bälg .....		2				
5	1209814-1	1	-	-	-	-	•Spider .....	•Axelkors .....		1				
6	24383-2	4	-	-	-	-	•• Retaining ring .....	•• Spårring .....		2				
7	1209814-1	1	-	-	-	-	•Spider .....	•Axelkors .....		1				
8	24383-2	4	-	-	-	-	•• Retaining ring .....	•• Spårring .....		2				
9	1340500-6	1	-	-	-	-	•Fork shaft .....	•Gaffeltapp .....		3				
10		1	-	-	-	-	NS •Tubular shaft .....	•Röraxel .....						
11	1232736-7	1	-	-	-	-	•Flange yoke .....	•Flänsgaffel .....		3				
12		1	-	-	-	-	NS •Tubular shaft .....	•Röraxel .....						
13	1220843-5	1	-	-	-	-	•Universal joint .....	•Kardanknut .....		2				
14	955346-2	3	-	-	-	-	•Screw .....	•Skruv .....		2				
15	955897-4	3	-	-	-	-	•Washer .....	•Bricka .....		2				
16	946034-6	3	-	-	-	-	•Lock nut .....	•Låsmutter .....		4				
17	1209862-0	3	-	-	-	-	•Sleeve .....	•Hylsa .....		4				
18	955346-2	3	-	-	-	-	•Screw .....	•Skruv .....		2				
19	955897-4	3	-	-	-	-	•Washer .....	•Bricka .....		2				
20	946034-6	3	-	-	-	-	•Lock nut .....	•Låsmutter .....		4				
21	1209867-9	1	-	-	-	-	•Guide pin .....	•Styrtapp .....		3				
☆ 22	6814141-5	4	-	-	-	-	Screw .....	Skruv .....	(1340928)	2				
☆ 23	6814142-3	4	-	-	-	-	Lock nut .....	Låsmutter .....		2				

- 1) Without kilometer counter / Utan kilometerräknare  
 2) Spare part version. / Reservdelsutförande.  
 3) With kilometer counter / Med kilometerräknare