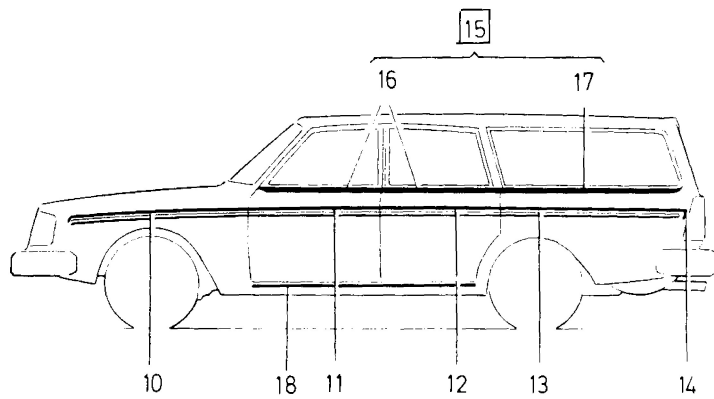
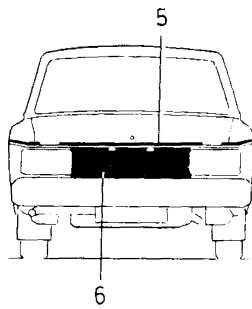
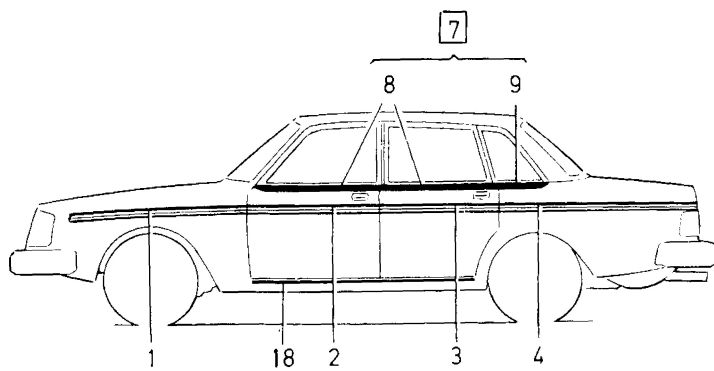


A	L.H.D						DOOR MIRRORS ELECTRICALLY OPERATED		UTVÄNDIG BACKSPEGEL, ELDRIVEN		Group	
	B										R.H.D	Grupp
	C											84
	D											Page
	E											Sida
										1005		
										1986-		
Fig	Part No. Artikel nr	Quantity /Antal					P S	Description	Benämning	Notes Anmärkning	S R	
		A	B	C	D	E						
1	1312501-8	1	-	-	-	-		Rear view mirror, l.h. convex glass	Backspegel, v konvext glas		3	
	1312502-6	1	-	-	-	-		Rear view mirror, r.h. convex glass	Backspegel, h konvext glas		3	
	1312503-4	1	-	-	-	-		Rear view mirror, l.h. flat glass	Backspegel, v plant glas		3	
	1312504-2	1	-	-	-	-		Rear view mirror, r.h. flat glass	Backspegel, h plant glas		3	
	1312507-5	1	-	-	-	-		Rear view mirror, l.h. wide angle	Backspegel, v vidvinkel		3	
	1312508-3	-	1	-	-	-		Rear view mirror, l.h. convex glass	Backspegel, v konvext glas		3	
	1312509-1	-	1	-	-	-		Rear view mirror, r.h. convex glass	Backspegel, h konvext glas		3	
	1312514-1	-	1	-	-	-		Rear view mirror, r.h. wide angle	Backspegel, h vidvinkel	REPL 1 PCS 1372433-1	3	
2		1	1	-	-	-	NS	• Mirror casing	• Spegelkåpa			
3	1372203-8	1	1	-	-	-		Drive unit, l.h.	Drivenhet, v			
	1312916-8	1	1	-	-	-		• Drive unit	• Drivenhet			
4	945828-2	1	1	-	-	-		• Pin housing	• Stiftisolator			
5	949863-5	4	4	-	-	-		• Screw	• Skruv	M3X12		
6	1321694-0	1	1	-	-	-		• Rubber bellows	• Gummbälg			
7	1312533-1	1	-	-	-	-		• Cap, l.h.	• Lock, v			
	1312535-6	1	-	-	-	-		• Cap, r.h.	• Lock, h			
	1312536-4	-	1	-	-	-		• Cap, l.h.	• Lock, v			
	1312534-9	-	1	-	-	-		• Cap, r.h.	• Lock, h			
8	1312537-2	1	1	-	-	-		• Seal, l.h.	• Tätning, v			
	1312538-0	1	1	-	-	-		• Seal, r.h.	• Tätning, h			
9	1321061-2	1	1	-	-	-		• Clamping ring	• Klämring			
10	1325937-9	1	1	-	-	-		• Mirror glass, l.h. convex glass	• Spegelglas, v konvext glas			
	1325938-7	1	1	-	-	-		• Mirror glass, r.h. convex glass	• Spegelglas, h konvext glas			
	1325941-1	1	-	-	-	-		• Mirror glass, l.h. flat glass ...	• Spegelglas, v plant glas			
	1325942-9	1	-	-	-	-		• Mirror glass, r.h. flat glass ...	• Spegelglas, h plant glas			
	1325943-7	1	-	-	-	-		• Mirror glass, l.h. wide angle .	• Spegelglas, v vidvinkel			
	1325944-5	1	-	-	-	-		• Mirror glass, r.h. wide angle	• Spegelglas, h vidvinkel			
11	1312797-2	1	1	-	-	-		Panel, l.h.	Panel, v			
	1312798-0	1	1	-	-	-		Panel, r.h.	Panel, h			
12	968009-1	4	4	-	-	-		Screw	Skruv			
13	941269-3	2	2	-	-	-		Rubber bushing	Gummbussning			
14	1312801-2	2	2	-	-	-		Sealing plug	Tätningsplugg			
15	1312811-1	2	2	-	-	-		Sealing plug	Tätningsplugg			



VOLVO PARTS
1 080 38951
(108: 4)