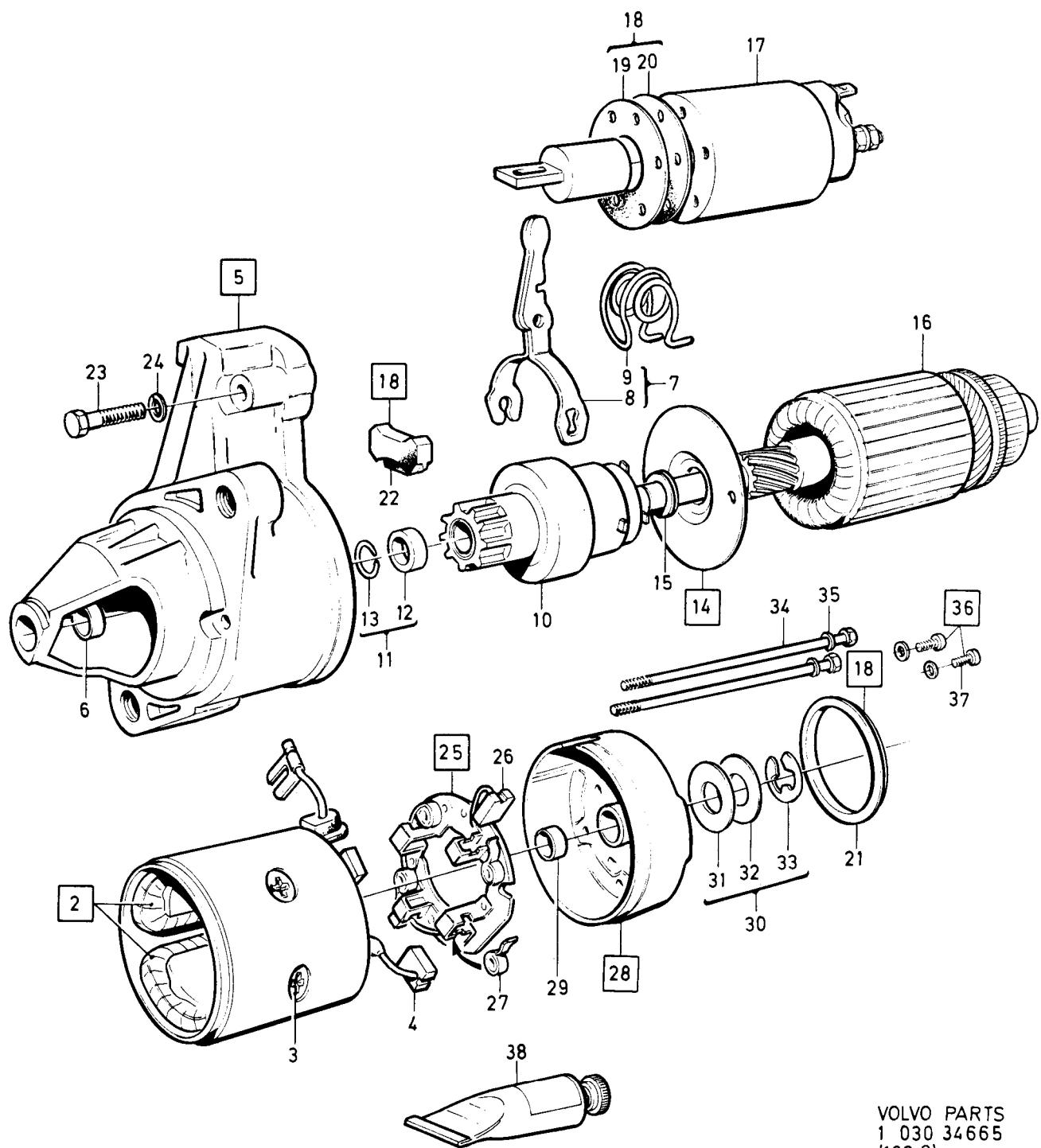


1



VOLVO PARTS
1 030 34665
(103·2)

A	B	C	D	E	STARTER MOTOR		STARTMOTOR		Group		
					4 CYL, HITACHI		Grupp				
										33	
										Page	
										Sida	
										415	
Fig	Part No. Artikel nr	Quantity /Antal					P S	Description	Benämning	Notes Anmärkning	S R
		A	B	C	D	E					
☆	(1306503)	1	-	-	-	-	SP Starter motor	Startmotor	REPL 1 PCS 3523301-4		
	(1357373)	-	1	-	-	-	SP Starter motor	Startmotor	REPL 1 PCS 3523301-4	3	
	(5001599)	1	1	-	-	-	SP Starter motor, exch	Startmotor, bytes			
	(1346707)	1	-	-	-	-	SP Starter motor	Startmotor	REPL 1 PCS 3523301-4	3	
	(1357199)	1	-	-	-	-	SP Starter motor	Startmotor	REPL 1 PCS 3523301-4	3	
							SEE 33-417	SEE 33-417			
							SEE 33-419	SEE 33-419			
2	1306606-3	1	1	-	-	-	•Field winding	•Fältledning		4	
3	1276453-6	4	4	-	-	-	•Screw	•Skruv		3	
4	1276454-4	2	2	-	-	-	•Carbon brush +	•Elborste +		1	
5	1306607-1	1	1	-	-	-	•Drive shaft bearing	•Drivaxellager		3	
6		1	1	-	-	-	NS •Bushing	•Bussning			
7	1357628-5	1	1	-	-	-	•Engagement lever complete .	•Kopplingsarm komplett		3	
8		1	1	-	-	-	KN •Arm	•Arm			
9		-	1	-	-	-	KN •Spring	•Fjäder			
		1	-	-	-	-	KN •Spring	•Fjäder			
10	1276460-1	1	1	-	-	-	•Starter pinion	•Startmotordrev		3	
11	1276451-0	1	1	-	-	-	•Retaining ring	•Spårning		3	
							Set	Sats			
12		1	1	-	-	-	KN •Stop ring	•Anslagsring			
13		1	1	-	-	-	•Lock ring	•Låsring			
14	1276469-2	1	1	-	-	-	•Bearing race	•Lagerring		3	
15		1	1	-	-	-	NS •Bearing bushing	•Lagerbussning			
16	1276449-4	1	1	-	-	-	•Rotor	•Rotor		3	
17	1306608-9	1	1	-	-	-	•Actuator solenoid	•Manövermagnet		3	
18	1276463-5	1	1	-	-	-	•Sealing kit	•Tätningssats		3	
19		1	1	-	-	-	KN •Gasket	•Packning	THK 0,8mm		
20		1	1	-	-	-	KN •Gasket	•Packning	THK 0,5mm		
21		1	1	-	-	-	KN •Gasket	•Packning			
22		1	1	-	-	-	KN •Protecting casing	•Skyddskåpa			
23	1276467-6	2	2	-	-	-	•Screw	•Skruv		3	
24		2	2	-	-	-	NS •Spring washer	•Fjäderbricka			
25	1276457-7	1	1	-	-	-	•Brush retainer plate	•Borsthållarplatta		3	
26	1276458-5	2	2	-	-	-	•Carbon brush -	•Elborste -		1	
27	1276459-3	4	4	-	-	-	•Brush spring	•Borstfjäder		2	
28	1276455-1	1	1	-	-	-	•Bearing shield	•Lagersköld		3	
29		1	1	-	-	-	NS •Bushing	•Bussning			
30	1276450-2	1	1	-	-	-	•Adjusting washer kit	•Justerbricksats		3	
31		1	1	-	-	-	KN •Washer	•Bricka	THK 2,0mm		
32		2	2	-	-	-	KN •Washer	•Bricka	THK 0,3mm		
33		1	1	-	-	-	KN •E-circlip	•Spärryttare			
34	1276466-8	2	2	-	-	-	•Screw	•Skruv		3	
35		2	2	-	-	-	NS •Spring washer	•Fjäderbricka			
36	1276468	1	1	-	-	-	OP •Screw kit	•Skruvsats		3	
							Brush retainer plate	Borsthållarplatta			
37		2	2	-	-	-	NS •Screw	•Skruv	M4x12mm		
38	1161326-2	1	1	-	-	-	Grease	Fett	(1161133)	6	