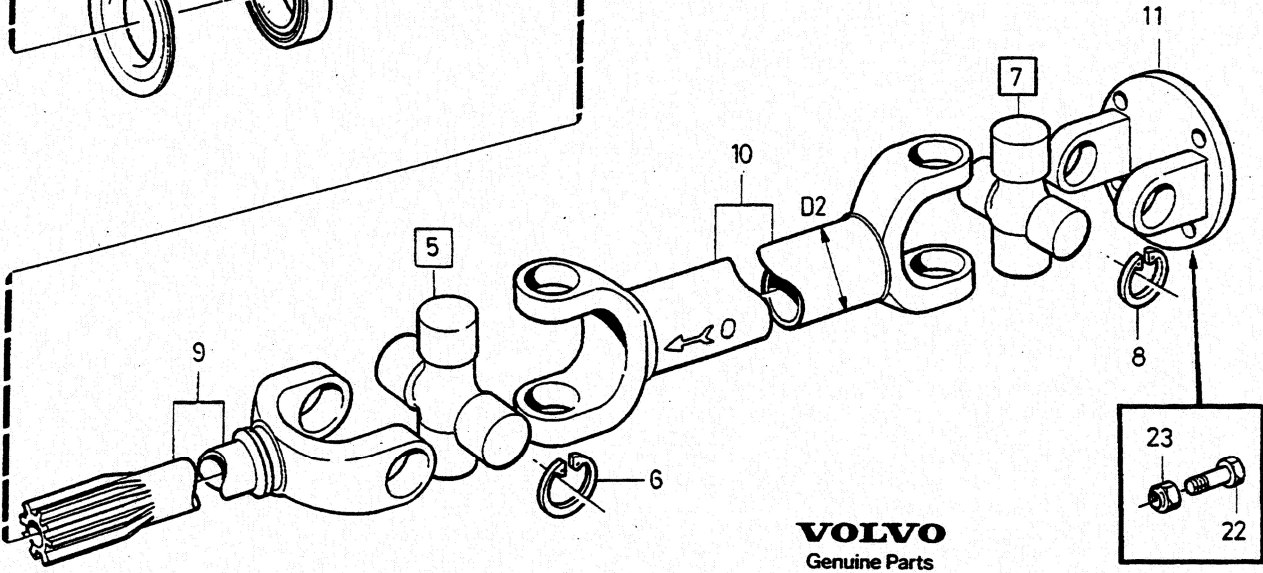
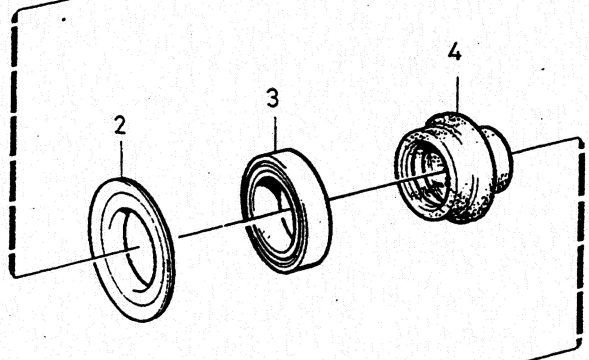
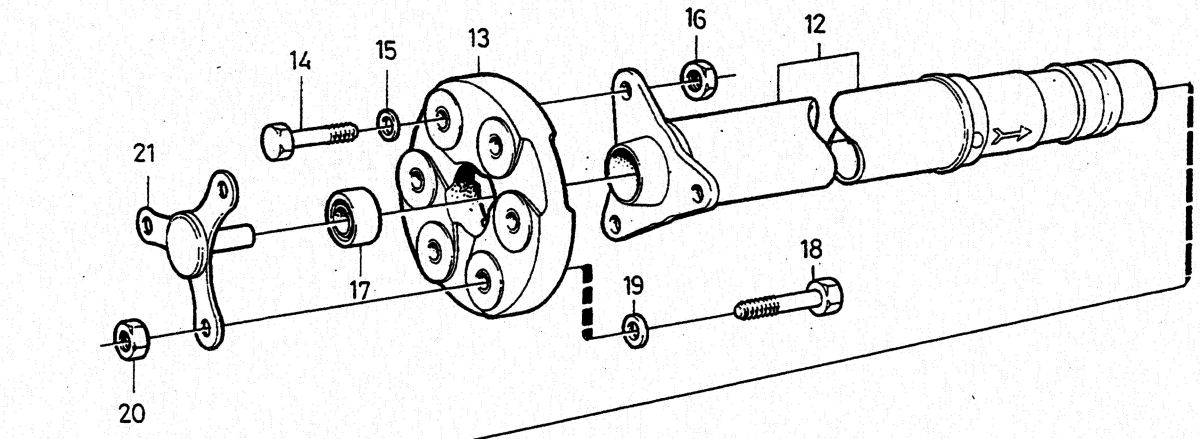


1



VOLVO
Genuine Parts
PV 450 47266

| A | B | C | D | E | PROPELLER SHAFT | | KARDANAXEL | | Group | | |
|-----|------------------------|------------------|---|---|-----------------|---|------------|-------------------------|---------------------|---------------------|--------|
| | | | | | | | | | Grupp | | |
| | | | | | | | | | 45 | | |
| | | | | | | | | | Page | | |
| | | | | | | | | | Sida | | |
| | | | | | | | | | 623 | | |
| Fig | Part No. Artikel nr | Quantity / Antal | | | | | P S | Description | Benämning | Notes Anmärkning | S R |
| | | A | B | C | D | E | | | | | |
| 1 | 3502043-7 | 1 | - | - | - | - | | Propeller shaft | Kardanaxel | 1) | 4 |
| 2 | 678995-2 | 1 | - | - | - | - | | • Dust cover | • Dammskydd | | 2 |
| 3 | 183265-8 | 1 | - | - | - | - | | • Ball bearing | • Kullager | | 2 |
| ☆ 4 | 3549771-8 | 1 | - | - | - | - | | • Bellows | • Bälga | (1340504) | 2 |
| 5 | 1209814-1 | 1 | - | - | - | - | | • Spider | • Axelkors | | 1 |
| 6 | 24383-2 | 4 | - | - | - | - | | • Retaining ring | • Spårring | | 2 |
| 7 | 1209814-1 | 1 | - | - | - | - | | • Spider | • Axelkors | | 1 |
| 8 | 24383-2 | 4 | - | - | - | - | | • Retaining ring | • Spårring | | 2 |
| 9 | 1340500-6 | 1 | - | - | - | - | | • Fork shaft | • Gaffeltapp | | 3 |
| 10 | | 1 | - | - | - | - | NS | • Tubular shaft | • Röraxel | | |
| 11 | 1232736-7 | 1 | - | - | - | - | | • Flange yoke | • Flänsgeffel | | 3 |
| 12 | | 1 | - | - | - | - | NS | • Tubular shaft | • Röraxel | | |
| 13 | 1220843-5 | 1 | - | - | - | - | | • Universal joint | • Kardanknut | | 2 |
| 14 | 970976-7 | 3 | - | - | - | - | | • Screw | • Skruv | (955346) | 2 |
| 15 | 955897-4 | 3 | - | - | - | - | | • Washer | • Bricka | | 2 |
| 16 | 971084-9 | 3 | - | - | - | - | | • Lock nut | • Låsmutter | (946034) | 4 |
| 17 | 1209862-0 | 1 | - | - | - | - | | • Sleeve | • Hylsa | | 4 |
| 18 | 970976-7 | 3 | - | - | - | - | | • Screw | • Skruv | (955346) | 2 |
| 19 | 955897-4 | 3 | - | - | - | - | | • Washer | • Bricka | | 2 |
| 20 | 971084-9 | 3 | - | - | - | - | | • Lock nut | • Låsmutter | (946034) | 4 |
| 21 | 1209867-9 | 1 | - | - | - | - | | • Guide pin | • Styrapp | | 3 |
| 22 | 6814141-5 | 4 | - | - | - | - | | Screw | Skruv | | 2 |
| 23 | 6814142-3 | 4 | - | - | - | - | | Lock nut | Låsmutter | | 2 |

1) Without kilometer counter / Utan kilometerräknare