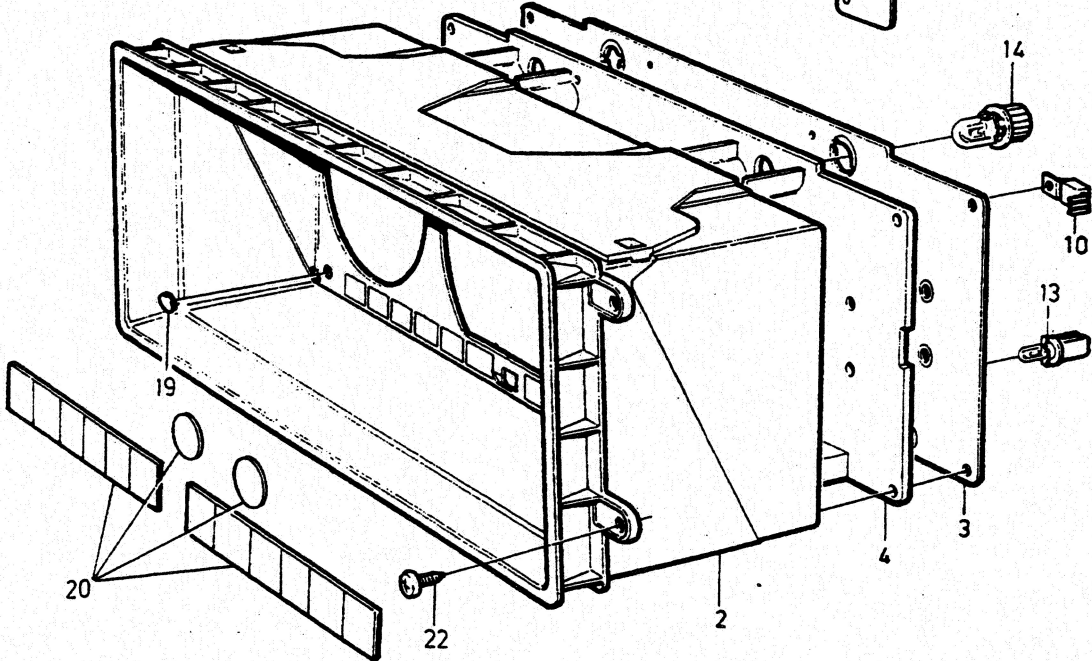
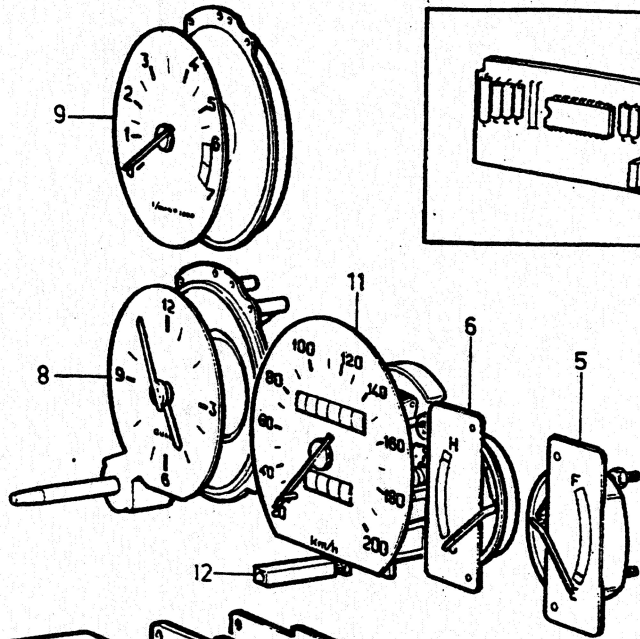
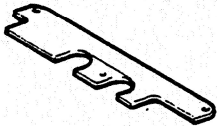


1



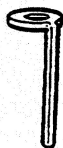
15



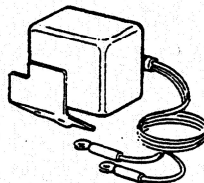
16



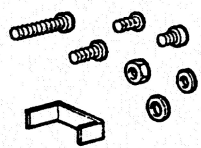
17



18



21



**VOLVO**  
Genuine Parts  
PV 380 49900

| A   | 1989 EXC (GB),(SA).    |                     |   |   |   | COMBI-INSTRUMENT | KOMBIINSTRUMENT               | Group<br>Grupp                |                     |        |
|-----|------------------------|---------------------|---|---|---|------------------|-------------------------------|-------------------------------|---------------------|--------|
|     | B                      | 1990 EXC (GB),(SA). |   |   |   |                  |                               |                               | 38                  |        |
| C   | 1989-1990 (GB)         |                     |   |   |   | P                | S                             | Page<br>Sida                  |                     |        |
| D   | 1989-1990 (SA)         |                     |   |   |   |                  |                               |                               | 1)                  | 461    |
| E   |                        |                     |   |   |   |                  |                               |                               |                     |        |
| Fig | Part No.<br>Artikel nr | Quantity / Antal    |   |   |   |                  | Description                   | Benämning                     | Notes<br>Anmärkning | S<br>R |
|     |                        | A                   | B | C | D | E                |                               |                               |                     |        |
| 1   |                        | 1                   | 1 | 1 | 1 | -                | NS Combined instrument .....  | Kombinationsinstrument .....  |                     | 4      |
| 2   | 1398892-8              | 1                   | 1 | 1 | 1 | -                | • Housing .....               | • Hus .....                   |                     | 3      |
| 3   | 1398888-6              | 1                   | - | - | - | -                | • Wiring plate .....          | • Ledningsplatta .....        | DSL                 | 3      |
|     | 3523308-9              | -                   | 1 | - | - | -                | • Wiring plate .....          | • Ledningsplatta .....        | DSL                 | 3      |
|     | 1398889-4              | 1                   | - | - | - | -                | • Wiring plate .....          | • Ledningsplatta .....        | EUROPE 4CYL         | 3      |
|     | 3523309-7              | -                   | 1 | - | - | -                | • Wiring plate .....          | • Ledningsplatta .....        | EUROPE 4CYL         | 3      |
|     | 3515043-2              | 1                   | 1 | - | - | -                | • Wiring plate .....          | • Ledningsplatta .....        | EXC EUROPE 4CYL     | 3      |
|     | 3515043-2              | -                   | - | 1 | 1 | -                | • Wiring plate .....          | • Ledningsplatta .....        |                     | 3      |
| 4   | 1362673-4              | 1                   | 1 | 1 | 1 | -                | • Base plate .....            | • Bottenplatta .....          | EXC 1990 EUROPE     | 3      |
|     | 3523313-9              | -                   | 1 | - | - | -                | • Base plate .....            | • Bottenplatta .....          | 1990 EUROPE         | 3      |
| 5   | 1398885-2              | 1                   | 1 | 1 | 1 | -                | • Fuel gauge .....            | • Bränslemätare .....         |                     | 2      |
| 6   | 1398886-0              | 1                   | 1 | 1 | 1 | -                | • Temperature gauge .....     | • Temperaturmätare .....      | EXC DSL             | 2      |
|     | 1398887-8              | 1                   | 1 | - | - | -                | • Temperature gauge .....     | • Temperaturmätare .....      | DSL                 | 2      |
| 7   | 1363117-1              | 1                   | 1 | - | - | -                | • Temperature compensator ... | • Temperaturkompensator ..... | DSL                 | 3      |
| 8   | 1398884-5              | 1                   | 1 | 1 | 1 | -                | • Clock .....                 | • Klocka .....                | 2)                  | 2      |
|     |                        |                     |   |   |   |                  | Clock                         | Klocka                        | 3) SEE 38-469       |        |
| 9   | 1398883-7              | 1                   | 1 | 1 | 1 | -                | • Tachometer .....            | • Varvräknare .....           | 4CYL                | 3      |
| 10  | 1362674-2              | 1                   | 1 | 1 | 1 | -                | • Voltage stabilizer .....    | • Spänningsstabilisator ..... |                     | 3      |
| 11  | 1384974-0              | 1                   | 1 | - | - | -                | • Speedometer .....           | • Hastighetsmätare .....      | 20-200km/h          | 3      |
|     |                        |                     |   |   |   |                  | K 6091                        | K 6091                        |                     |        |
|     | 1384975-7              | 1                   | 1 | - | - | -                | • Speedometer .....           | • Hastighetsmätare .....      | 20-200km/h          | 3      |
|     |                        |                     |   |   |   |                  | K 6241                        | K 6241                        |                     |        |
|     | 1384976-5              | -                   | - | 1 | - | -                | • Speedometer .....           | • Hastighetsmätare .....      | 0-120mph            | 3      |
|     |                        |                     |   |   |   |                  | K 9800                        | K 9800                        |                     |        |
|     | 1384977-3              | -                   | - | 1 | - | -                | • Speedometer .....           | • Hastighetsmätare .....      | 0-120mph            | 3      |
|     |                        |                     |   |   |   |                  | K 10042                       | K 10042                       |                     |        |
|     | 1384980-7              | -                   | - | - | 1 | -                | • Speedometer .....           | • Hastighetsmätare .....      | 20-200km/h          | 3      |
|     |                        |                     |   |   |   |                  | K 6091                        | K 6091                        |                     |        |
|     | 1384981-5              | -                   | - | - | 1 | -                | • Speedometer .....           | • Hastighetsmätare .....      | 20-200km/h          | 3      |
|     |                        |                     |   |   |   |                  | K 6241                        | K 6241                        |                     |        |
| 12  | 1384775-1              | 1                   | 1 | 1 | 1 | -                | • Button .....                | • Knapp .....                 |                     | 3      |
| 13  | 966326-1               | X                   | X | X | X | -                | • Bulb with bulb socket ..... | • Glödlampa med lamphållare . | 1,2 W               | 1      |
| 14  | 969032-2               | 2                   | 2 | 2 | 2 | -                | • Bulb with bulb socket ..... | • Glödlampa med lamphållare . | 3,0 W               | 1      |
| 15  | 3523314-7              | 1                   | 1 | 1 | 1 | -                | • Cooling plate .....         | • Kylplatta .....             | (1362675)           | 3      |
| 16  | 1362676-7              | 1                   | 1 | 1 | 1 | -                | • Fuse .....                  | • Säkring .....               |                     | 3      |
| 17  | 1362677-5              | -                   | - | - | 1 | -                | • Cable joint .....           | • Ledningsförbindning .....   |                     | 3      |
| 18  | 1308637-6              | -                   | - | - | 1 | -                | • Speed warning device .....  | • Hastighetsvarnare .....     |                     | 3      |
| 19  | 1308558-4              | 1                   | 1 | 1 | 1 | -                | • Plug .....                  | • Propp .....                 |                     | 3      |
| 20  | 3515045-7              | 1                   | - | - | 1 | -                | • Symbol strip .....          | • Symbolskiva .....           |                     | 3      |
|     |                        |                     |   |   |   |                  | Set                           | Sats                          |                     |        |
|     | 3523316-2              | 1                   | 1 | 1 | - | -                | • Symbol strip .....          | • Symbolskiva .....           | 4) 5)               | 3      |
|     |                        |                     |   |   |   |                  | Set                           | Sats                          |                     |        |
| 21  | 3515153-9              | 1                   | 1 | 1 | 1 | -                | • Screw kit .....             | • Skruvsats .....             |                     | 3      |
| 22  | 965268-6               | 4                   | 4 | 4 | 4 | -                | Screw .....                   | Skruv .....                   |                     | 2      |

1) 240 4DRS CH 334100-. 240 5DRS CH 809000-.

2) Combined instrument without tachometer. / Kombiinstrument utan varvräknare.

3) Combination instrument with tachometer. / Kombiinstrument med varvräknare.

4) With "CHECK-ENGINE" lambda symbol. / Med "CHECK-ENGINE" Lambda symbol.

5) 240 4DRS CH 358468-. 240 5DRS CH 826990-.