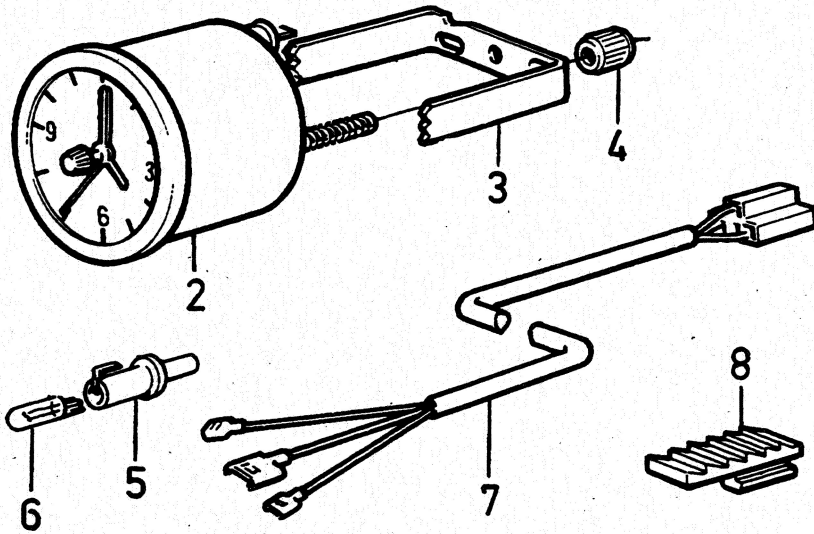


1



**VOLVO**  
Genuine Parts  
PV380 46405

A	B	C	D	E	CLOCK		KLOCKA		Group		
									Grupp		
										38	
										Page	
										Sida	
										469	
Fig	Part No. Artikel nr	Quantity / Antal					P S	Description	Benämning	Notes Anmärkning	S R
		A	B	C	D	E					
1	1188269-3	1	-	-	-	-		Notes .....	Anmärkning .....	1)	
								Clock .....	Klocka .....	2)	2
								Set .....	Sats .....		
	1394753-6	1	-	-	-	-		Clock .....	Klocka .....	3)	2
								Set .....	Sats .....		
		1	-	-	-	-		Clock .....	Klocka .....	4) (J) 1991-	
2		1	-	-	-	-		Clock .....	Klocka .....	4) (J) 1991-	
	1398897	1	-	-	-	-	NS	•Clock complete .....	•Klocka komplett .....	2)	6
3	1307516-3	1	-	-	-	-		•Clock complete .....	•Klocka komplett .....	3)	3
4	1234642-5	2	-	-	-	-		••Brace .....	••Bygel .....		2
5	1324145-0	1	-	-	-	-		••Nut .....	••Mutter .....		5
	663094-1	1	-	-	-	-		••Bulb socket .....	••Lamphållare .....	2)	3
6	942327-8	1	-	-	-	-		••Bulb socket .....	••Lamphållare .....	3)	1
	973274-4	1	-	-	-	-		••Bulb .....	••Glödlampa .....	2) 1.2W	1
7		1	-	-	-	-		••Bulb .....	••Glödlampa .....	3) 3.0W	1
8	1259737-3	3	-	-	-	-	NS	••Cable harness .....	••Ledningsmatta .....		4
								•Retaining clip .....	•Hållare .....		

1) Combination instrument with tachometer. / Kombiinstrument med varvräknare.

2) 240 4DRS CH -334099, 240 5DRS CH -808999.

3) 240 4DRS CH 334100-. 240 5DRS CH 809000-.

4) The clock is situated in the locally installed radio. / Klockan finns i den lokalt monterade radion.