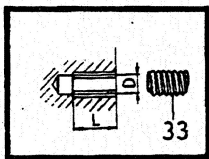
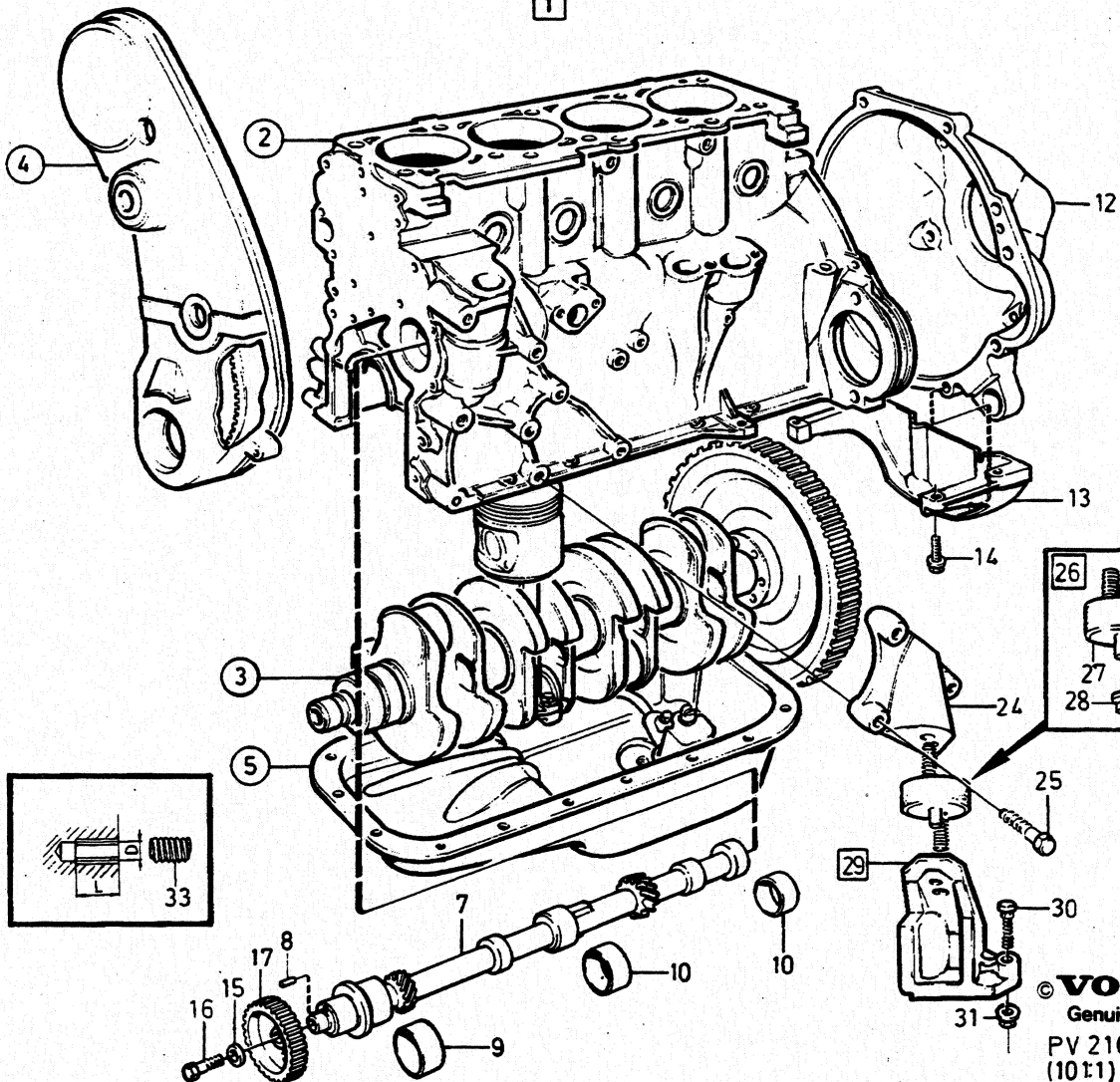


1



© VOLVO
Genuine Parts
PV 210 41136
(10±1)

| A | B200 | ENGINE WITH FITTINGS | | | | | MOTOR MED MONTERINGSDETALJER | | | | | Group Grupp |
|------------|------------------------|----------------------|----|---|---|---|------------------------------|-------------------------------|------------------------------|-----------------------------|--------|----------------|
| | | | | | | | | | | | | |
| B200, B230 | | | | | | | | | | 21 | | |
| | | | | | | | | | | | | Page Sida |
| | | | | | | | | | | | | 105 |
| Fig | Part No. Artikel nr | Quantity / Antal | | | | | P S | Description | Benämning | Notes Anmärkning | S R | |
| | | A | B | C | D | E | | | | | | |
| 1 | 1277669 | 1 | - | - | - | - | OP | Cylinder block complete | Cylinderblock komplett | B200K | 5 | |
| | 1277668-8 | 1 | - | - | - | - | | Cylinder block complete | Cylinderblock komplett | B200E, B200F | 5 | |
| | | | 1 | - | - | - | NS | Cylinder block complete | Cylinderblock komplett | B230K | | |
| | 1277672-0 | - | 1 | - | - | - | | Cylinder block complete | Cylinderblock komplett | B230E | 5 | |
| | | | 1 | - | - | - | NS | Cylinder block complete | Cylinderblock komplett | B230FS, B230FD, B230FX | | |
| 2 | | 1 | 1 | - | - | - | | • Engine block | • Cylinderblock | SEE 21 • 113 | | |
| 3 | | 1 | 1 | - | - | - | | • Crank mechanism | • Vevmekanism | SEE 21 • 115 | | |
| 4 | | 1 | 1 | - | - | - | | • Belt transmission | • Remtransmission | SEE 21 • 121 | | |
| 5 | | 1 | 1 | - | - | - | | • Lubricating system | • Smörjsystem | SEE 22 • 149 | | |
| 6 | | 1 | 1 | - | - | - | | • Crankcase ventilation | • Vevhusventilation | SEE 25 • 201 | | |
| 7 | 463581-9 | 1 | 1 | - | - | - | | • Countershaft | • Mellanaxel | | | |
| 8 | 949433-7 | 1 | 1 | - | - | - | | • • Spring pin | • • Rörpinne | | | |
| 9 | | 1 | 1 | - | - | - | | • Bearing bushing | • Lagerbussning | SEE 21 • 113 | | |
| 10 | | 2 | 2 | - | - | - | | • Bearing bushing | • Lagerbussning | SEE 21 • 113 | | |
| 11 | | 1 | 1 | - | - | - | | Cylinder head | Cylinderhuvud | SEE 21 • 107 | | |
| 12 | | 1 | 1 | - | - | - | | Clutch housing | Kopplingskäpa | SEE 43 • 515 | | |
| 13 | 463830-0 | 1 | 1 | - | - | - | | Bracket | Konsol | | | |
| 14 | 946472-8 | 4 | 4 | - | - | - | | Flange screw | Flänsskruv | | | |
| 15 | 463580-1 | 1 | 1 | - | - | - | | Washer | Bricka | | | |
| 16 | 970952-8 | 1 | 1 | - | - | - | | Screw | Skruv | (955322) | | |
| 17 | 3514089-6 | 1 | 1 | - | - | - | | Pulley | Kuggremhjul | -1992. (1219322) | | |
| | 3507751-0 | 1 | 1 | - | - | - | | Pulley | Kuggremhjul | 1993- | | |
| 18 | 3514361-9 | 1 | 1 | - | - | - | | Valve cover | Ventilkäpa | (1336754) | | |
| 19 | 1378870-8 | 1 | 1 | - | - | - | IK | Gasket | Packning | | | |
| 20 | 941906-0 | 8 | 8 | - | - | - | | Spring washer | Fjäderbricka | | | |
| 21 | 948685-3 | 10 | 10 | - | - | - | | Nut | Mutter | | | |
| 22 | 3547599-5 | 1 | 1 | - | - | - | | Filler cap | Påfyllningslock | (1378985) | | |
| 23 | 940096-1 | 1 | 1 | - | - | - | IK | Gasket | Packning | | | |
| 24 | 1205999-4 | 1 | 1 | - | - | - | | Engine anchorage, l.h. | Motorfäste, v | | | |
| | 1206213-9 | 1 | 1 | - | - | - | | Engine anchorage, r.h. | Motorfäste, h | | | |
| 25 | 946470-2 | 2 | 2 | - | - | - | | Flange screw | Flänsskruv | LG 35mm, L.H., EXC B200K | | |
| | 946671-5 | 1 | 1 | - | - | - | | Flange screw | Flänsskruv | LG 30mm, L.H., EXC B200K | | |
| | 946671-5 | 3 | 3 | - | - | - | | Flange screw | Flänsskruv | LG 30mm, L.H., B200K | | |
| | 946671-5 | 3 | 3 | - | - | - | | Flange screw | Flänsskruv | LG 30mm, R.H. | | |
| 26 | 274110-6 | 1 | 1 | - | - | - | | Rubber cushion kit | Gummikuddesats | L.H. | | |
| | 274111-4 | 1 | 1 | - | - | - | | Rubber cushion kit | Gummikuddesats | R.H. | | |
| 27 | | 2 | 2 | - | - | - | KN | • Rubber cushion | • Gummikudde | | | |
| 28 | 971098-9 | 4 | 4 | - | - | - | IK | • Flange lock nut | • Flänslåsmutter | (949279) | | |
| 29 | 1229173-8 | 1 | 1 | - | - | - | | Bracket, l.h. | Konsol, v | | | |
| | 1229171-2 | 1 | 1 | - | - | - | | Bracket, r.h. | Konsol, h | | | |
| 30 | | 6 | 6 | - | - | - | NS | • Screw | • Skruv | | | |
| 31 | 971089-8 | 6 | 6 | - | - | - | | Lock nut | Låsmutter | (963107) | | |
| 32 | 463850-8 | 1 | 1 | - | - | - | | Lifting eye, l.h. rear | Lyftögla, v bakre | B200, B230E | | |
| | 3507879-9 | - | 1 | - | - | - | | Lifting eye, l.h. rear | Lyftögla, v bakre | B230F. (1317593) | | |
| | 463849-0 | 1 | 1 | - | - | - | | Lifting eye, l.h. front | Lyftögla, v främre | | | |
| | | 1 | 1 | - | - | - | NS | Lifting eye, r.h. | Lyftögla, h | | | |
| 33 | 956014-5 | X | X | - | - | - | | Thread insert | Gänginsats | M6x1,0x9 mm | | |
| | 956018-6 | X | X | - | - | - | | Thread insert | Gänginsats | M8x1,25x12 mm | | |
| | 956022-8 | X | X | - | - | - | | Thread insert | Gänginsats | M10x1,5x15 mm | | |
| | 948095-5 | X | X | - | - | - | | Thread insert | Gänginsats | M12x1,5x24 mm | | |
| | 948756-2 | X | X | - | - | - | | Thread insert | Gänginsats | M14x1,25x12 mm | | |
| | 948758-8 | X | X | - | - | - | | Thread insert | Gänginsats | M14x1,5x12 mm | | |
| | | 1 | 1 | - | - | - | | Gasket kits | Packningssats | SEE 21 • 123 | | |

☆