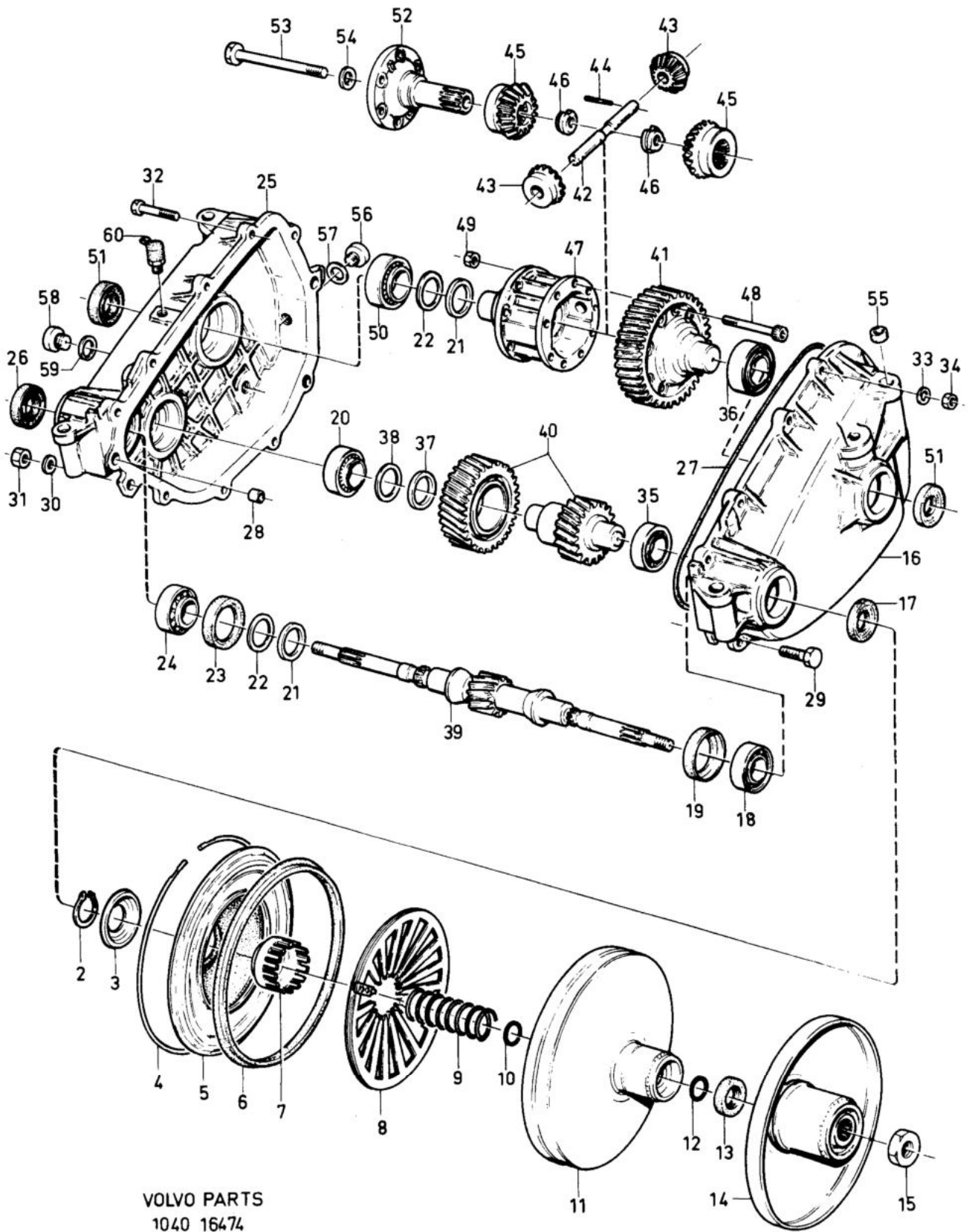


VOLVO

1



VOLVO PARTS
1040 16474

Sida Page	Grupp Group	CVT, sekundär			CVT, secondary			Illustration	0450	
44	4							16474		
								1984-12		
Pos. Fig.	Antal/Quantity			Artikel nr Part No	Benämning	Description	Sats Kit	B P S R	Anmärkning Notes	
1	1	-	-	3294155-1	CVT, sekundär.....	CVT, secondary.....	5			0020
	1	-	-	5001691-4	CVT, sekundär, bytesutförande	CVT, secondary, exchange model	9			0040
2	2	-	-	3103893-8	.Låsring.....	.Circlip.....	4			0060
3	2	-	-	3103780-7	.Tryckbricka.....	.Thrust washer.....	4			0100
4	2	-	-	3103991-0	.Låsring.....	.Snapring.....	2			0120
5	2	-	-	3266069-8	.Membran.....	.Diaphragm.....	3			0140
6	2	-	-	3266082-1	.Tätningssring.....	.Seal ring.....	3			0160
7	2	-	-	3290825-3	.Hylsa.....	.Sleeve.....	5			0180
8	2	-	-	3266963-2	.Fjäder.....	.Spring.....	3			0200
9	2	-	-	3292509-1	.Fjäder.....	.Spring.....	3			02
10	2	-	-	3103808-6	.O-ring.....	.O-ring.....	2			02
11	2	-	-	3290619-0	.Remskiva.....	.Disc.....	5			0280
12	2	-	-	3103808-6	.O-ring.....	.O-ring.....	2			0300
13	2	-	-	3103823-5	.Tätning.....	.Seal ring.....	3			0320
14	2	-	-	3290142-3	.Remskiva.....	.Disc.....	5			0340
15	2	-	-	3102754-3	.Mutter.....	.Nut.....	2			036
16	1	-	-	3292345-0	.Hus, V.....	.Housing, L.....	5			03
17	1	-	-	3266632-3	.Tätning.....	.Seal ring.....	3			0420
18	1	-	-	184083-4	.Lager.....	.Bearing.....	2			0440
19	1	-	-	3266633-1	.Tätning.....	.Seal ring.....	3			0460
20	1	-	-	3105571-8	.Lager.....	.Bearing.....	3			0480
21	ERF	-	-		.Justermellanlägg	.Shim.....				0500
		-	-	3105504-9	..Tj 1,70.....	..Th 1.70.....	3			0520
		-	-	3105505-6	..Tj 1,75.....	..Th 1.75.....	3			0540
		-	-	3105506-4	..Tj 1,80.....	..Th 1.80.....	3			0560
		-	-	3105507-2	..Tj 1,85.....	..Th 1.85.....	3			0580
		-	-	3105508-0	..Tj 1,90.....	..Th 1.90.....	3			0600
		-	-	3105509-8	..Tj 1,95.....	..Th 1.95.....	3			0620
		-	-	3105510-6	..Tj 2,00.....	..Th 2.00.....	3			0640
		-	-	3105511-4	..Tj 2,05.....	..Th 2.05.....	3			0660
		-	-	3105512-2	..Tj 2,10.....	..Th 2.10.....	3			0680
		-	-	3105513-0	..Tj 2,15.....	..Th 2.15.....	3			0700
		-	-	3105514-8	..Tj 2,20.....	..Th 2.20.....	3			0720
		-	-	3105515-5	..Tj 2,25.....	..Th 2.25.....	3			0740
		-	-	3105516-3	..Tj 2,30.....	..Th 2.30.....	3			0760
		-	-	3105517-1	..Tj 2,35.....	..Th 2.35.....	3			0780
		-	-	3105518-9	..Tj 2,40.....	..Th 2.40.....	3			08
		-	-	3105519-7	..Tj 2,45.....	..Th 2.45.....	3			08
		-	-	3105520-5	..Tj 2,50.....	..Th 2.50.....	3			0840
		-	-	3105521-3	..Tj 2,55.....	..Th 2.55.....	3			0860
		-	-	3105522-1	..Tj 2,60.....	..Th 2.60.....	3			0880
		-	-	3105523-9	..Tj 2,65.....	..Th 2.65.....	3			0900
		-	-	3105524-7	..Tj 2,70.....	..Th 2.70.....	3			09
		-	-	3105525-4	..Tj 2,75.....	..Th 2.75.....	3			09
		-	-	3105526-2	..Tj 2,80.....	..Th 2.80.....	3			0960
		-	-	3105527-0	..Tj 2,85.....	..Th 2.85.....	3			0980
		-	-	3105528-8	..Tj 2,90.....	..Th 2.90.....	3			1000
		-	-	3105529-6	..Tj 2,95.....	..Th 2.95.....	3			1020
		-	-	3105530-4	..Tj 3,00.....	..Th 3.00.....	3			1040
		-	-	3105531-2	..Tj 3,05.....	..Th 3.05.....	3			1060
		-	-	3105532-0	..Tj 3,10.....	..Th 3.10.....	3			1080
		-	-	3105533-8	..Tj 3,15.....	..Th 3.15.....	3			1100
		-	-	3105534-6	..Tj 3,20.....	..Th 3.20.....	3			1120
		-	-	3105535-3	..Tj 3,25.....	..Th 3.25.....	3			1140
		-	-	3105536-1	..Tj 3,30.....	..Th 3.30.....	3			1160
		-	-	3105537-9	..Tj 3,35.....	..Th 3.35.....	3			1180
		-	-		..Tj 3,40.....	..Th 3.40.....	8	(3105538)		1200
22	2	-	-	3105503-1	.Justermellanlägg.....	.Shim.....	3			1220
23	1	-	-	3266633-1	.Tätning.....	.Seal ring.....	3			1240
24	1	-	-	184083-4	.Lager.....	.Bearing.....	2			1260
25	1	-	-	3292346-8	.Hus, H.....	.Housing, R.....	5			1280
26	1	-	-	3266632-3	.Tätning.....	.Seal ring.....	3			1320

Sida Page	Grupp Group	CVT, sekundär		CVT, secondary		Illustration	0450				
46	4					16474					
						1984-12					
Pos. Fig.	Antal/Quantity				Artikel nr Part No	Benämning	Description	Sats Kit	B P S R	Anmärkning Notes	
27	1	-	-	-	3266916-0	.Packning	.Packing		2		1340
28	2	-	-	-	3103810-2	.Bussning	.Bushing		3		1360
29	1	-	-	-	3291371-7	.Skruv	.Screw		2		1380
30	1	-	-	-	955922-0	.Fjäderbricka	.Spring washer		2		1400
31	1	-	-	-	963915-4	.Mutter	.Nut		2		1420
32	10	-	-	-	3103811-0	.Skruv	.Screw		2		1440
33	10	-	-	-	3103965-4	.Bricka	.Washer		2		1460
34	10	-	-	-	946523-8	.Mutter	.Nut		2		1480
35	1	-	-	-	3105571-8	.Lager	.Bearing				1500
36	1	-	-	-	184083-4	.Lager	.Bearing		2		1520
37	ERF	-	-	-		.Justermellanlägg	.Shim				157
		-	-	-	3105542-9	..Tj 1,70	..Th 1.70		3		1560
		-	-	-	3105549-4	..Tj 2,05	..Th 2.05		3		1700
		-	-	-	3105550-2	..Tj 2,10	..Th 2.10		3		1720
		-	-	-	3105551-0	..Tj 2,15	..Th 2.15		3		1740
		-	-	-	3105553-6	..Tj 2,25	..Th 2.25		3		1780
		-	-	-	3105557-7	..Tj 2,45	..Th 2.45		3		188
		-	-	-	3105562-7	..Tj 2,70	..Th 2.70		3		1960
		-	-	-	3105563-5	..Tj 2,75	..Th 2.75		3		1980
		-	-	-	3105564-3	..Tj 2,80	..Th 2.80		3		2000
		-	-	-	3105565-0	..Tj 2,85	..Th 2.85		3		2020
		-	-	-	3105567-6	..Tj 2,95	..Th 2.95		3		2060
		-	-	-	3105568-4	..Tj 3,00	..Th 3.00		3		2080
		-	-	-	3105569-2	..Tj 3,05	..Th 3.05		3		2100
		-	-	-	3105570-0	..Tj 3,10	..Th 3.10		3		2120
38	1	-	-	-	3105541-1	.Justermellanlägg	.Shim		3		2140
	1	-	-	-	3266634-9	.Kuggsats	.Gear set		5		2150
39	1	-	-	-	3266635-6	..Axel	..Shaft		S 5		2160
40	1	-	-	-	3266636-4	..Kugghjul, kmpl	..Gear, cpl		S 3		2180
41	1	-	-	-	3266637-2	..Kugghjul	..Gear		S 5		2200
42	1	-	-	-	3293839-1	.Axel	.Shaft		3	CH -509132	2220
	1	-	-	-	3203038-9	.Axel	.Shaft		5	(3298342)	2225
43	2	-	-	-	3259606-6	.Kugghjul	.Gear		3		2240
44	1	-	-	-	3298343-9	.Låspinne	.Lock pin		5	CH -509132	2260
	1	-	-	-	3297497-4	.Låspinne	.Lock pin		3	CH 509133-	2265
45	2	-	-	-	3256537-6	.Kugghjul	.Gear		3		2280
46	2	-	-	-	3105500-7	.Mutter	.Nut		3		2300
47	1	-	-	-	3293973-8	.Diff. hus	.Diff. housing		3	CH -509132	230
										ERS AV 3298346-2	2320
	1	-	-	-	3298346-2	.Diff. hus	.Diff. housing		5	CH 509133-	2325
48	4	-	-	-	3293782-3	.Skruv	.Screw		3	(3266640)	2340
	4	-	-	-	3294578-4	.Skruv	.Screw		5	L = 35MM	2350
49	4	-	-	-	963919-6	.Mutter	.Nut		2	(963618)	2360
50	1	-	-	-	184083-4	.Lager	.Bearing		2		237
51	2	-	-	-	3266644-8	.Tätning	.Seal ring		2		240
52	2	-	-	-	3103792-2	.Medbringare	.Axle shaft		4		2420
53	2	-	-	-	955305-8	.Skruv	.Screw		2		2440
54	2	-	-	-	3102927-5	.Fjäderbricka	.Spring washer		2		2460
55	4	-	-	-	3290034-2	.Bussning	.Bushing		3		2480
56	1	-	-	-	3224662-1	.Plugg	.Plug		1	(3100740)	2500
57	1	-	-	-	947624-3	.Packning	.Gasket		2		2520
58	1	-	-	-	3290725-5	.Plugg	.Plug		3		2540
59	1	-	-	-	947624-3	.Packning	.Gasket		2		2560
60	1	-	-	-	3100956-6	.Luftningsskruv	.Air venting screw		2		2580