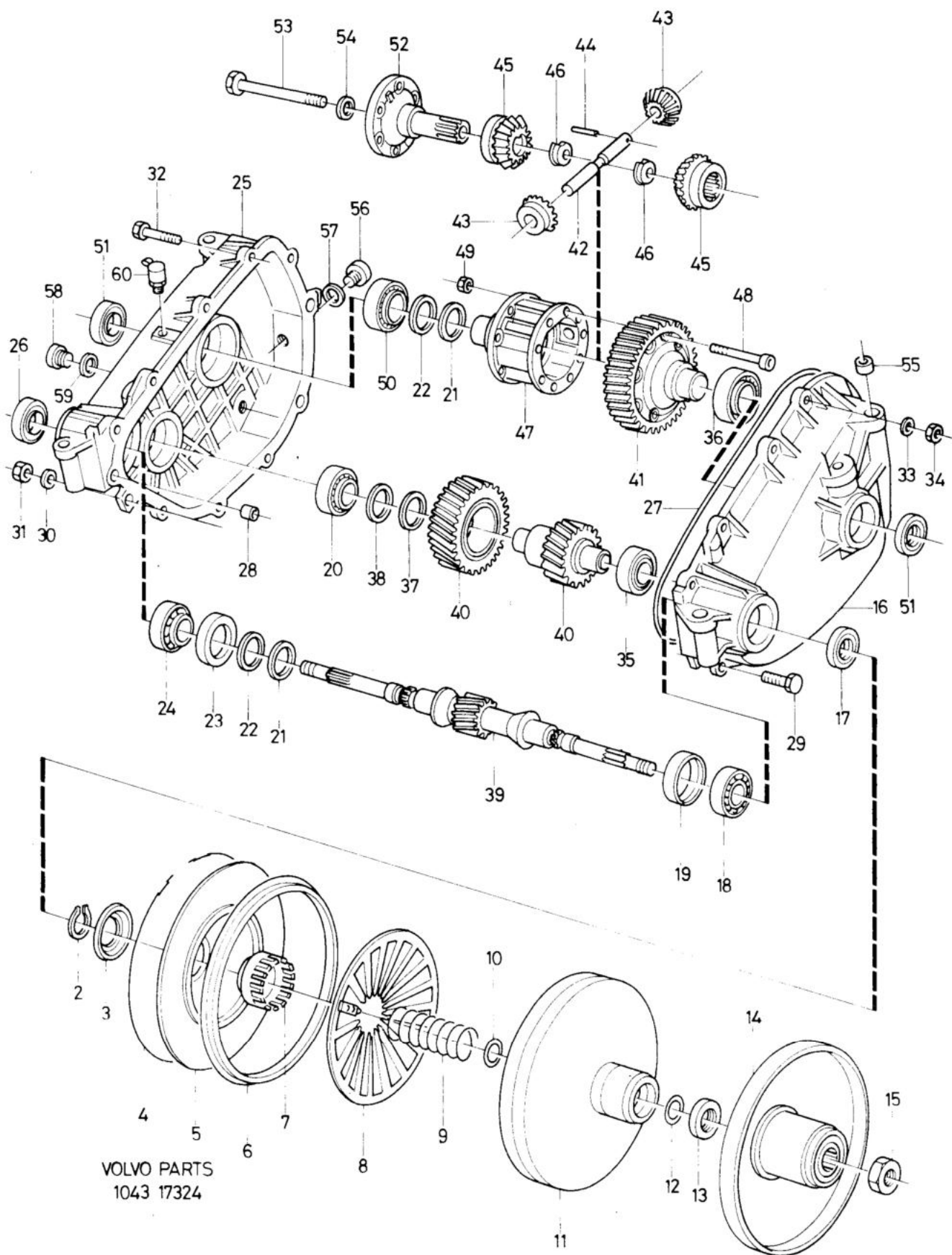


1



VOLVO PARTS  
1043 17324

A						C.V.T.		S	R			
	B						SECONDARY			SECUNDÄR		
		C										
			D									
				E								
Fig Pos	Part no. Artikel nr.	Quantity / Anstal					P S	Description	Benämning	Notes Anmärkning		
		A	B	C	D	E						
1	3294155-1	1	-	-	-	-		Cvt, secondary .....	Cvt, sekundair .....		5	
	9031045-9	1	-	-	-	-		Cvt, secondary .....	Cvt, sekundär .....			
2	914467-6	2	-	-	-	-		• Circlip .....	• Låsring .....		4	
3	3103780-7	2	-	-	-	-		• Plate .....	• Platta .....		2	
4	3103991-0	2	-	-	-	-		• Locking ring .....	• Låsring .....		3	
5	3266069-8	2	-	-	-	-		• Diaphragm .....	• Membran .....		3	
6	3266082-1	2	-	-	-	-		• Sealing ring .....	• Tätningsring .....		5	
7	3290825-3	2	-	-	-	-		• Sleeve .....	• Muff .....		3	
8	3266963-2	2	-	-	-	-		• Spring kit .....	• Fjädersats .....		3	
9	3292509-1	2	-	-	-	-		• Spring .....	• Fjäder .....		2	
10	3103808-6	2	-	-	-	-		• Clamping washer .....	• Klämring .....		5	
11	3290619-0	2	-	-	-	-		• Pulley .....	• Remskiva .....		2	
12	3103808-6	2	-	-	-	-		• Clamping washer .....	• Klämring .....		3	
13	3103823-5	2	-	-	-	-		• Seal ring .....	• Tätningsring .....		5	
14	3290142-3	2	-	-	-	-		• Pulley .....	• Remskiva .....		2	
15	3102754-3	2	-	-	-	-		• Nut .....	• Mutter .....		5	
16	3292345-0	1	-	-	-	-		• Housing, l.h. ....	• Hus, v .....		3	
17	3266632-3	1	-	-	-	-		• Sealing ring .....	• Tätningsring .....		3	
18	184083-4	1	-	-	-	-		• Ball bearing .....	• Kullager .....		3	
19	3266633-1	1	-	-	-	-		• Sealing ring .....	• Tätningsring .....		3	
20	181587-7	1	-	-	-	-		• Bearing .....	• Lager .....		3	
	181588-5	1	-	-	-	-		• Bearing .....	• Lager .....		3	
21	3105504-9	X	-	-	-	-		• Shim .....	• Justerbleck .....	THK 1.70mm	3	
	3105505-6	X	-	-	-	-		• Shim .....	• Justerbleck .....	THK 1.75mm	3	
	3105506-4	X	-	-	-	-		• Shim .....	• Justerbleck .....	THK 1.80mm	3	
	3105507-2	X	-	-	-	-		• Shim .....	• Justerbleck .....	THK 1.85mm	3	
	3105508-0	X	-	-	-	-		• Shim .....	• Justerbleck .....	THK 1.90mm	3	
	3105509-8	X	-	-	-	-		• Shim .....	• Justerbleck .....	THK 1.95mm	3	
	3105510-6	X	-	-	-	-		• Shim .....	• Justerbleck .....	THK 2.00mm	3	
	3105511-4	X	-	-	-	-		• Shim .....	• Justerbleck .....	THK 2.05mm	3	
	3105512-2	X	-	-	-	-		• Shim .....	• Justerbleck .....	THK 2.10mm	3	
	3105513-0	X	-	-	-	-		• Shim .....	• Justerbleck .....	THK 2.15mm	3	
	3105514-8	X	-	-	-	-		• Shim .....	• Justerbleck .....	THK 2.20mm	3	
	3105515-5	X	-	-	-	-		• Shim .....	• Justerbleck .....	THK 2.25mm	3	
	3105516-3	X	-	-	-	-		• Shim .....	• Justerbleck .....	THK 2.30mm	3	
	3105517-1	X	-	-	-	-		• Shim .....	• Justerbleck .....	THK 2.35mm	3	
	3105518-9	X	-	-	-	-		• Shim .....	• Justerbleck .....	THK 2.40mm	3	
	3105519-7	X	-	-	-	-		• Shim .....	• Justerbleck .....	THK 2.45mm	3	
	3105520-5	X	-	-	-	-		• Shim .....	• Justerbleck .....	THK 2.50mm	3	
	3105521-3	X	-	-	-	-		• Shim .....	• Justerbleck .....	THK 2.55mm	3	
	3105522-1	X	-	-	-	-		• Shim .....	• Justerbleck .....	THK 2.60mm	3	
	3105523-9	X	-	-	-	-		• Shim .....	• Justerbleck .....	THK 2.65mm	3	
	3105524-7	X	-	-	-	-		• Shim .....	• Justerbleck .....	THK 2.70mm	3	
	3105525-4	X	-	-	-	-		• Shim .....	• Justerbleck .....	THK 2.75mm	3	
	3105526-2	X	-	-	-	-		• Shim .....	• Justerbleck .....	THK 2.80mm	3	
	3105527-0	X	-	-	-	-		• Shim .....	• Justerbleck .....	THK 2.85mm	3	
	3105528-8	X	-	-	-	-		• Shim .....	• Justerbleck .....	THK 2.90mm	3	
	3105529-6	X	-	-	-	-		• Shim .....	• Justerbleck .....	THK 2.95mm	3	
	3105531-2	X	-	-	-	-		• Shim .....	• Justerbleck .....	THK 3.00mm	3	
	3105532-0	X	-	-	-	-		• Shim .....	• Justerbleck .....	THK 3.05mm	3	
	3105533-8	X	-	-	-	-		• Shim .....	• Justerbleck .....	THK 3.10mm	3	
	3105534-6	X	-	-	-	-		• Shim .....	• Justerbleck .....	THK 3.15mm	3	
	3105535-3	X	-	-	-	-		• Shim .....	• Justerbleck .....	THK 3.20mm	3	
	3105536-1	X	-	-	-	-		• Shim .....	• Justerbleck .....	THK 3.25mm	3	
	3105537-9	X	-	-	-	-		• Shim .....	• Justerbleck .....	THK 3.30mm	3	
22	3105503-1	2	-	-	-	-		• Shim .....	• Justerbleck .....	THK 3.35mm	3	
23	3266633-1	1	-	-	-	-		• Sealing ring .....	• Tätningsring .....		5	
24	184083-4	1	-	-	-	-		• Ball bearing .....	• Kullager .....		3	
25	3292346-8	1	-	-	-	-		• Housing, r.h. ....	• Hus, h .....		3	
26	3266632-3	1	-	-	-	-		• Sealing ring .....	• Tätningsring .....		2	
27	3266916-0	1	-	-	-	-		• Gasket .....	• Packning .....		2	
28							NS	• Bushing .....	• Bussning .....			

A	B	C	D	E	C.V.T.		P S	Description	Benämning	Notes Anmärkning	S R		
					SECONDARY							SECUNDÄR	
Fig Pos	Part no. Artikel nr.	Quantity / Antal											
		A	B	C	D	E							
29	3291371-7	1	-	-	-	-		• Screw .....	• Skruv .....		2		
30	955922-0	1	-	-	-	-		• Spring washer .....	• Fjäderbricka .....		2		
31	963915-4	1	-	-	-	-		• Nut .....	• Mutter .....		2		
32	3103811-0	10	-	-	-	-		• Bolt .....	• Bult .....		2		
33	3103965-4	10	-	-	-	-		• Washer .....	• Bricka .....		2		
34	946523-8	10	-	-	-	-		• Nut .....	• Mutter .....		2		
35	181587-7	1	-	-	-	-		• Bearing .....	• Lager .....		2		
36	181588-5	1	-	-	-	-		• Bearing .....	• Lager .....		2		
37	3105549-4	X	-	-	-	-		• Shim .....	• Justerbleck .....	THK 2.05mm	3		
	3105553-6	X	-	-	-	-		• Shim .....	• Justerbleck .....	THK 2.25mm	3		
38	3105541-1	1	-	-	-	-		• Shim .....	• Justerbleck .....		3		
	3266634-9	1	-	-	-	-		• Gear set .....	• Kugghjulsats .....	(32666356)	5		
39	-	-	-	-	-	-	OP	• Shaft .....	• Axelt .....		3		
40	3266636-4	1	-	-	-	-	IK	• Gear, cpl .....	• Växel, kmpl .....		3		
41	3266637-2	1	-	-	-	-	IK	• Drive gear .....	• Drev .....		5		
42	3203038-9	1	-	-	-	-		• Shaft .....	• Axelt .....		5		
43	3259606-6	2	-	-	-	-		• Differential pinion .....	• Differentialdrev .....		3		
44	3297497-4	1	-	-	-	-		• Lock spring .....	• Låsfjäder .....		3		
45	3256537-6	2	-	-	-	-		• Gear .....	• Växel .....		3		
46	3105500-7	2	-	-	-	-		• Nut .....	• Mutter .....		3		
47	3298346-2	1	-	-	-	-		• Differential housing .....	• Differentialhus .....		5		
48	3293782-3	4	-	-	-	-		• Screw .....	• Skruv .....		3		
	3294578-4	4	-	-	-	-		• Screw .....	• Skruv .....	L = 35MM	5		
49	963919-6	4	-	-	-	-		• Nut .....	• Mutter .....		2		
50	184083-4	1	-	-	-	-		• Ball bearing .....	• Kullager .....		2		
51	3266644-8	2	-	-	-	-		• Sealing ring .....	• Tätningring .....		4		
52	3103792-2	2	-	-	-	-		• Shaft .....	• Axelt .....		2		
53	948878-4	2	-	-	-	-		• Screw .....	• Skruv .....	(9553058)	2		
54	3102927-5	2	-	-	-	-		• Spring washer .....	• Fjäderbricka .....		3		
55	3290034-2	4	-	-	-	-		• Bushing .....	• Bussning .....		1		
56	3224662-1	1	-	-	-	-		• Plug .....	• Propp .....		3		
57	947624-3	1	-	-	-	-		• Gasket .....	• Packning .....		3		
58	3292717-0	1	-	-	-	-		• Plug .....	• Propp .....	(32907255)	2		
59	947624-3	1	-	-	-	-		• Gasket .....	• Packning .....		3		
60	3100956-6	1	-	-	-	-		• Screw .....	• Skruv .....		2		