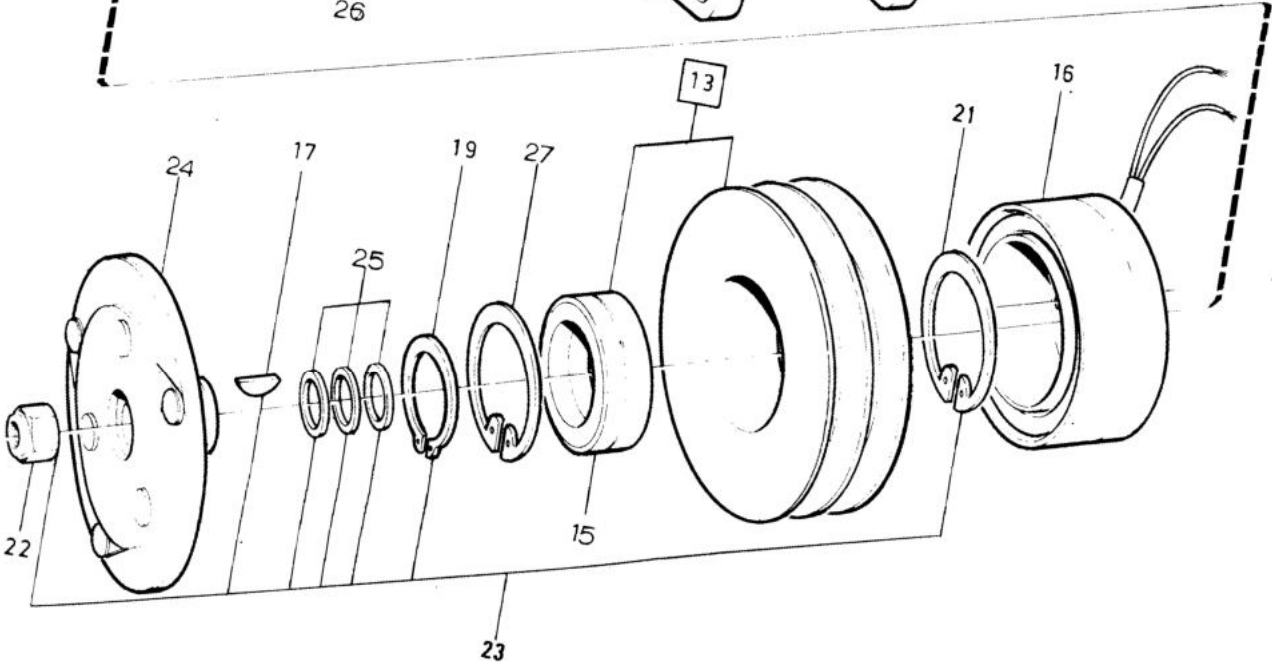
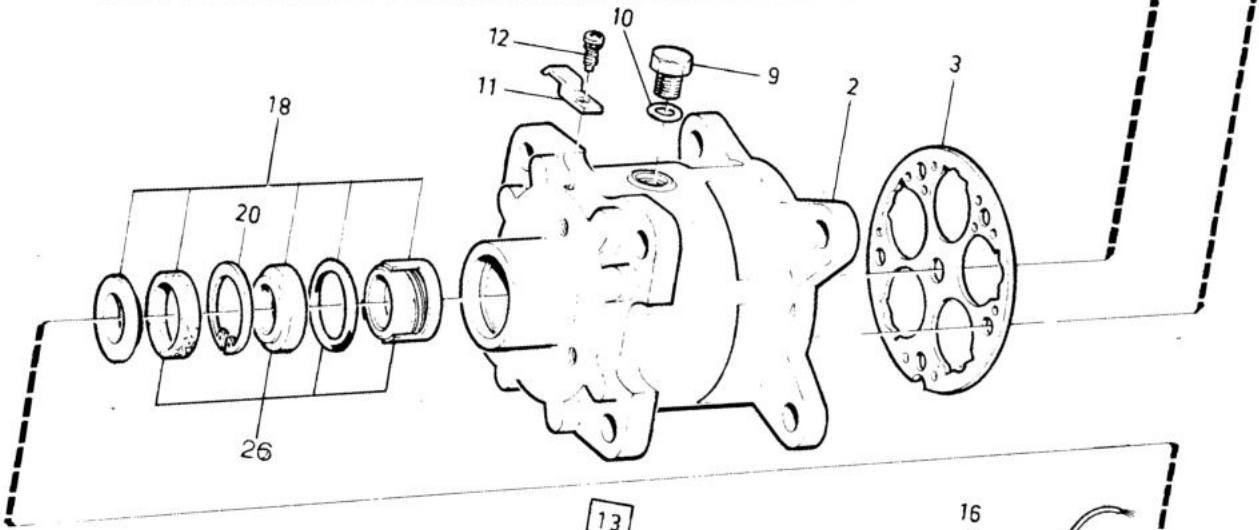
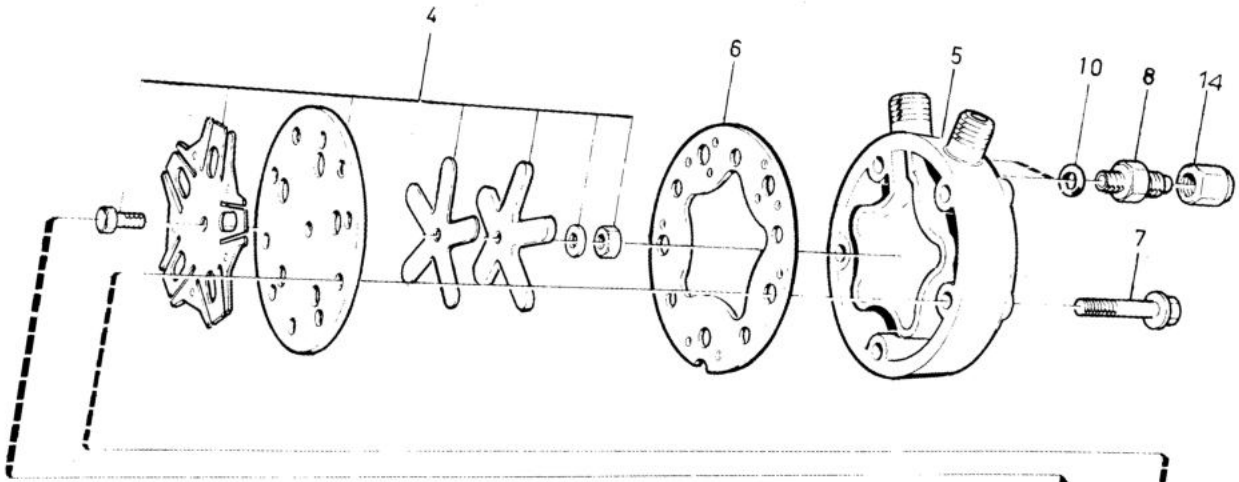


1



VOLVO PARTS
1087 17992

| A | | B200,CH-154579 | | | | | COMPRESSOR | | KOMPRESSOR | | Group Grupp |
|------------|-------------------------|------------------|---|---|---|---|------------|----------------------------|-------------------------|---------------------|----------------|
| B | | B14 | | | | | | | | | 87 |
| C | | B200,CH 154580- | | | | | | | | | Page Sida |
| D | | | | | | | | | | | 825 |
| E | | | | | | | | | | | |
| Fig Pos | Part no. Artikel nr. | Quantity / Antal | | | | | P S | Description | Benämning | Notes Anmärkning | S R |
| | | A | B | C | D | E | | | | | |
| ★ 1 | 3513598-7 | 1 | - | - | - | - | | Compressor | Kompressor | (12593406) | |
| | 3209285-0 | - | 1 | - | - | - | | Compressor | Kompressor | | 5 |
| | 3206860-3 | - | - | 1 | - | - | | Compressor | Kompressor | | |
| 2 | | - | - | - | - | - | NS | • Compressor housing | • Kompressorhus | | |
| 3 | | 1 | 1 | 1 | - | - | IK | • Gasket | • Packning | | |
| 4 | | - | - | - | - | - | NS | • Plate | • Platta | | |
| 5 | 1188759-3 | 1 | - | - | - | - | | • Cylinder head | • Cylinderhuvud | | 5 |
| | 3342830-1 | - | 1 | 1 | - | - | | • Cylinder head | • Cylinderhuvud | | 5 |
| 6 | | 1 | 1 | 1 | - | - | IK | • Gasket | • Packning | | |
| 7 | | - | - | - | - | - | NS | • Screw | • Skruv | | |
| 8 | | - | - | - | - | - | NS | • Connection pipe | • Anslutningsrör | | |
| 8A | | - | - | - | - | - | NS | • Protection | • Käpa | | |
| 9 | | - | - | - | - | - | NS | • Plug | • Propp | | |
| 10 | 1596026-3 | 3 | - | - | - | - | | • O-ring | • O-ring | | 4 |
| | 3342831-9 | - | 3 | 3 | - | - | | • O-ring | • O-ring | | 4 |
| 11 | | 1 | 1 | 1 | - | - | IK | • Clamp | • Klämma | | |
| 12 | | 1 | 1 | 1 | - | - | IK | • Screw | • Skruv | | |
| 13 | | 1 | 1 | 1 | - | - | IK | • Pulley | • Remskiva | | |
| 14 | | 1 | - | - | - | - | IK | • Bearing | • Lager | | |
| 15 | | 1 | 1 | 1 | - | - | IK | • Clutch plate | • Kopplingslamell | | |
| 16 | | - | - | - | - | - | NS | • Field coil | • Magnetspole | | |
| 17 | | 1 | 1 | 1 | - | - | IK | • Key | • Nyckel | | |
| 17A | | 3 | 3 | 3 | - | - | IK | • Shim | • Justerbleck | | |
| 18 | 1695472-9 | 1 | - | - | - | - | | • Seal | • Tätning | | 4 |
| 18A | 3287227-7 | - | 1 | - | - | - | | • Seal | • Tätning | | 5 |
| | 3342829-3 | - | - | 1 | - | - | | • Seal | • Tätning | | 5 |
| 19 | | 1 | 1 | 1 | - | - | IK | • Spring washer | • Fjäderbricka | | |
| 19A | | 1 | - | - | - | - | IK | • Spring washer | • Fjäderbricka | | |
| 20 | | 1 | - | - | - | - | IK | • Spring washer | • Fjäderbricka | | |
| 21 | | 1 | 1 | 1 | - | - | IK | • Spring washer | • Fjäderbricka | | |
| 22 | | 1 | 1 | 1 | - | - | IK | • Nut | • Mutter | | |
| 23 | 3342832-7 | - | 1 | - | - | - | | • Repair kit | • Reparationssats | | 4 |
| | 3342833-5 | - | - | 1 | - | - | | • Repair kit | • Reparationssats | | 4 |
| ★ | 1698666-3 | 1 | - | - | - | - | | Repair kit | Reparationssats | (16954745) | |
| | 1695473-7 | 1 | - | - | - | - | | Gasket kit | Packningsats | | 3 |