

**FOREWORD (GB)**

Group

**01**

Page

9

This catalogue contains parts for our cars in the 300 series, from model year 1985.

**PRODUCT PLATES**

Placing and code keys for those product plates which contain important information for ordering parts are illustrated in the following pages.

**ABBREVIATIONS**

Explanation of the abbreviations used in the catalogue are to be found in Group 02.

**CHASSIS NUMBER**

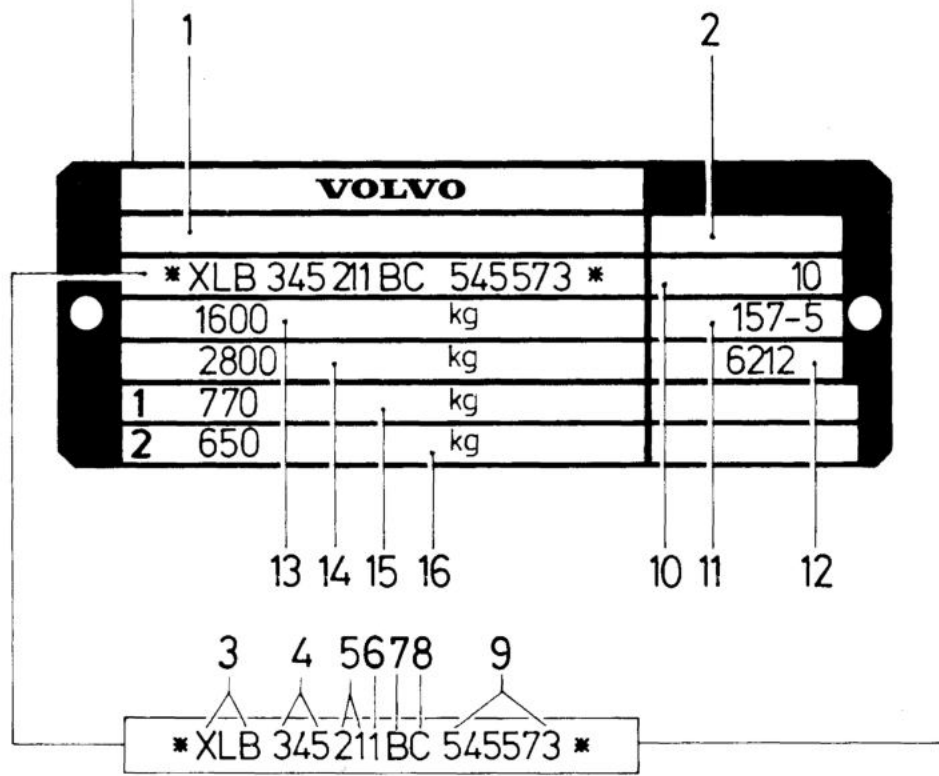
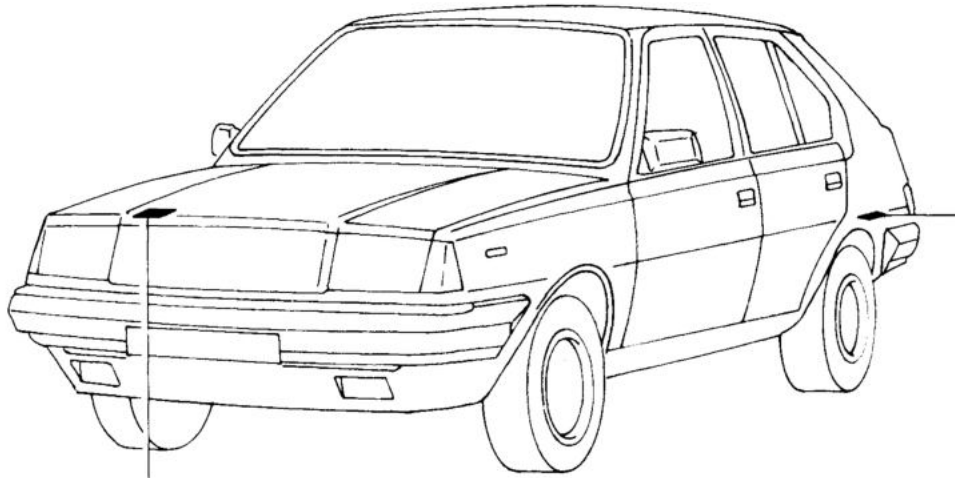
The first chassis number for each model is as follows:

|      |     |     |                 |
|------|-----|-----|-----------------|
| 1985 | 340 | 360 | CH FC 000.000,— |
| 1986 | 340 | 360 | CH GC 121.000,— |
| 1987 | 340 | 360 | CH HC 241.000,— |
| 1988 | 340 | 360 | CH JC 360.101,— |
| 1989 | 340 | 360 | CH KC 700.000,— |
| 1990 | 340 | 360 | CH LC 765.001,— |
| 1991 | 340 | 360 | CH MC 805.101,— |

The Parts Catalogue for the 300 series  
can be ordered from:  
Carpac International B.V.  
Parts Planning & Catalogue Dept.  
P.O. Box 521  
5700 AM Helmond  
THE NETHERLANDS

Order number:

|                 |              |              |
|-----------------|--------------|--------------|
| <b>Language</b> | <b>Paper</b> | <b>Fiche</b> |
| English/Swedish | 196006       | 196007       |
| German/French   |              | 196009       |



VOLVO PARTS  
1010 17909

**Foreword  
Product plate**

Group

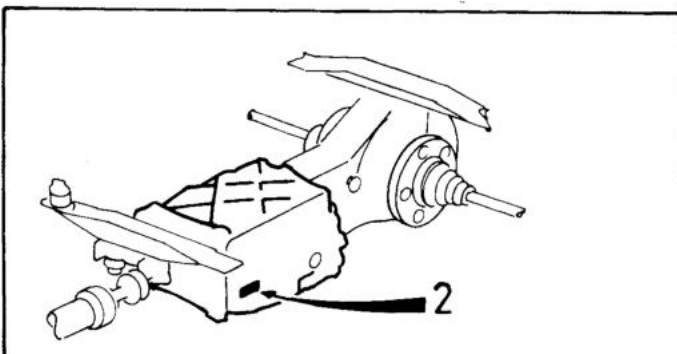
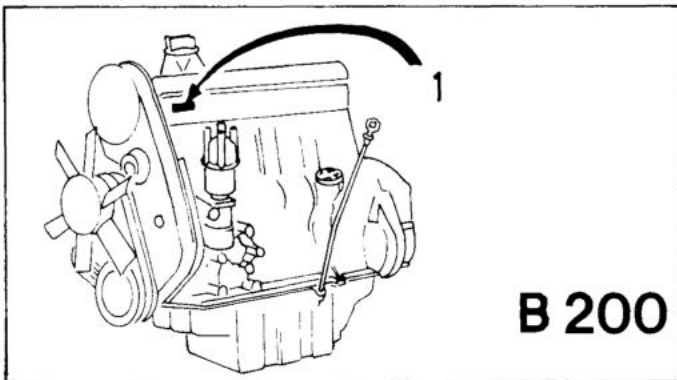
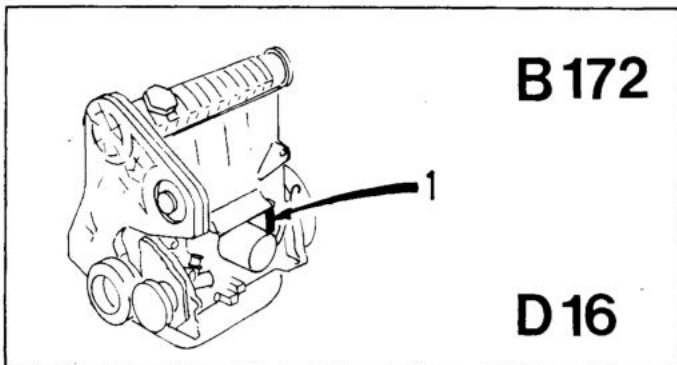
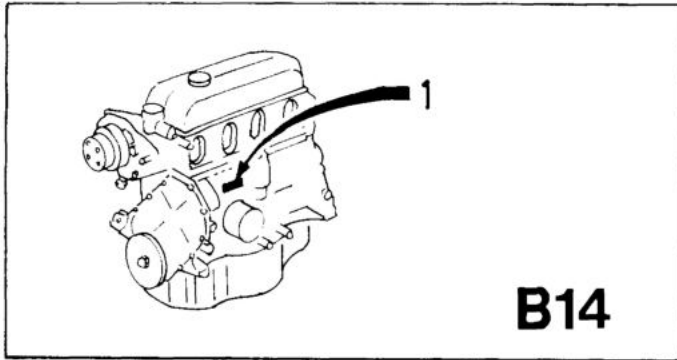
**01**

Page

11

1. (Type approval No. for certain markets)
2. Special vehicle number
3. (Manufacturer code)
4. Vehicle type
5. Engine type:  
53 = B14.4E    21 = B200 K/S  
54 = B14.40    23 = B200 K/E  
55 = B14.4S    22 = B200 E/O  
72 = D16.      25 = B200 E/A  
11 = B172      28 = B200 E/E  
20 = B200 K/O   27 = B200F
6. Transmission:  
1 = MT4 Gearbox  
3 = MT5 Gearbox  
9 = CVT
7. Model year  
G = 1985  
H = 1986  
I = 1987  
J = 1988  
K = 1989  
L = 1990  
M = 1991
8. (Works code)
9. Chassis number
10. (Market code)
11. Colour code, suffix not stated in catalogue
12. Interior fitting code
13. (Max. weight of vehicle)
14. (Max. train weight of vehicle)
15. (Max. front axle load)
16. (Max. rear axle load)

**VOLVO CAR B.V.  
HELMOND NEDERLAND**



**Foreword  
Product plate**

Group

**01**

Page

13

**Plates on engine, gearbox, rear axle****Engine**

Type designation, part number, serial number

Position:

- 1) Stamped on left-hand side of cylinderblock

**Gearbox**

Type designation, part number, serial number

Position:

- 2) Manual gearbox: on left-hand side of gearbox