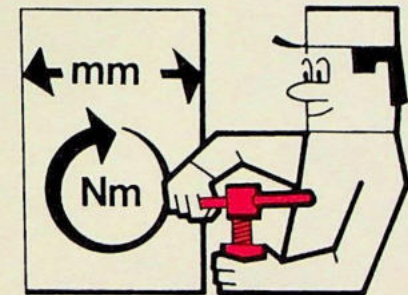
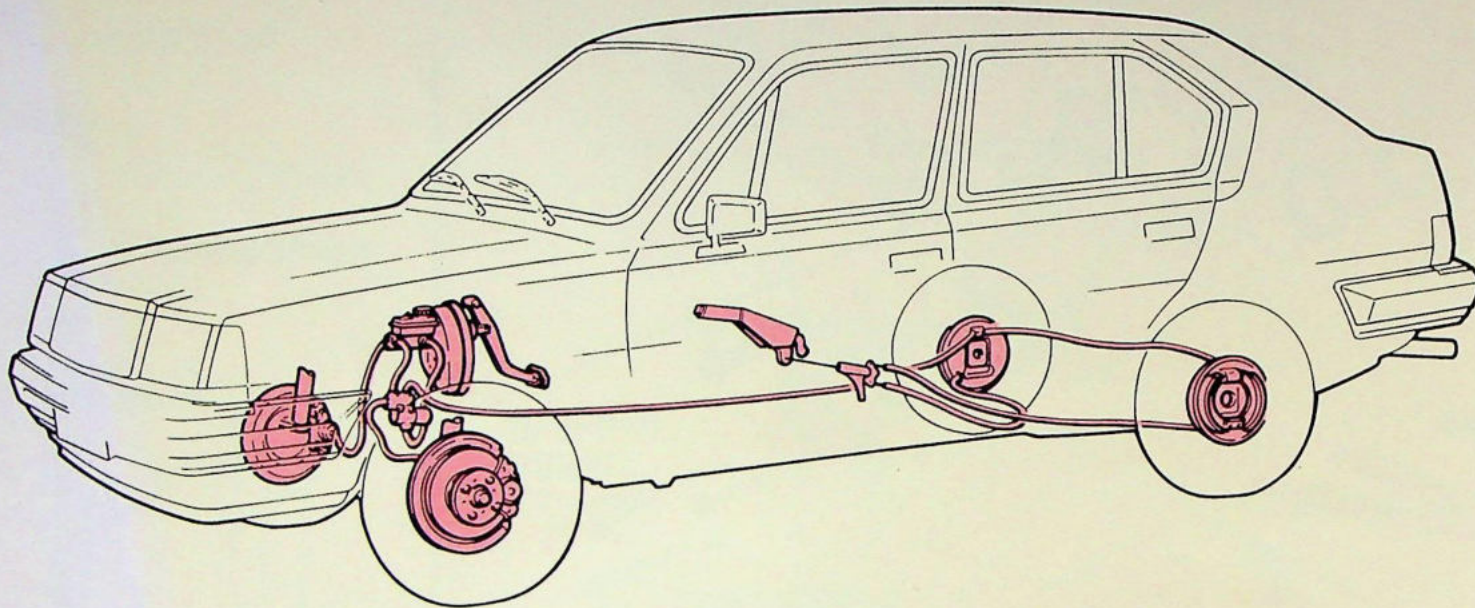
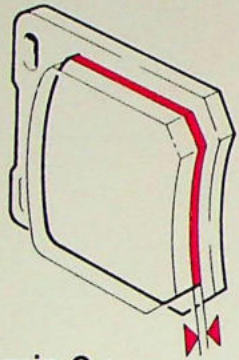


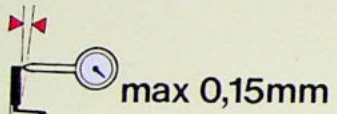
VOLVO

300



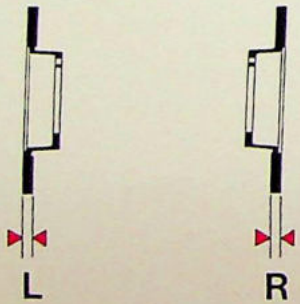


min 2 mm



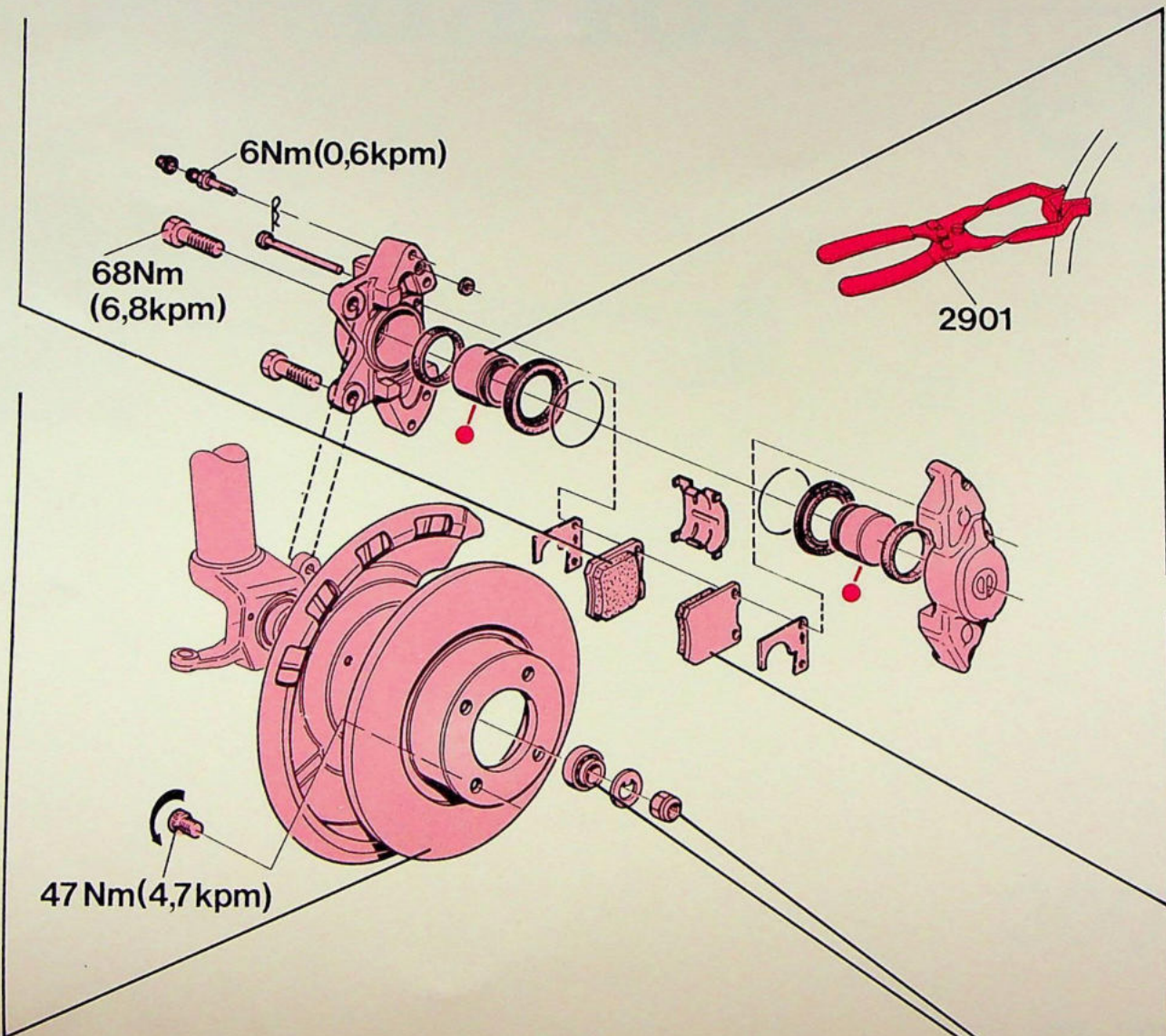
max 0,15mm

min 8,5mm



L R

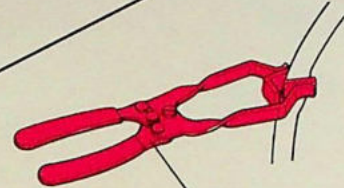
$L = R \pm 0,2\text{mm (max)}$



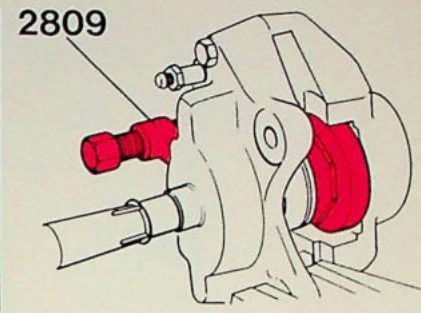
6Nm (0,6kpm)

68Nm (6,8kpm)

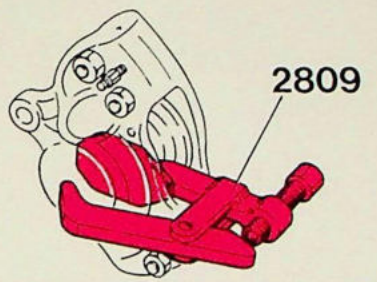
47 Nm (4,7kpm)



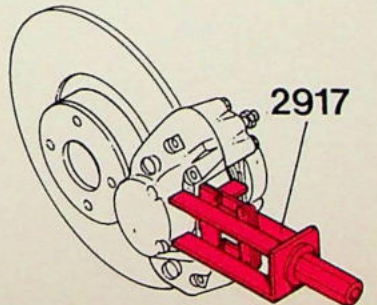
2901



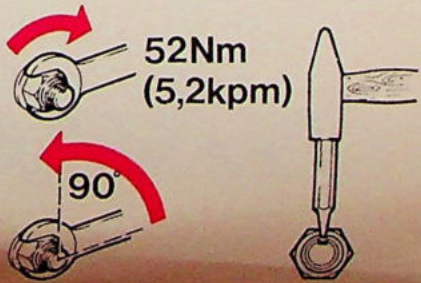
2809



2809



2917

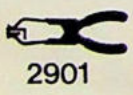
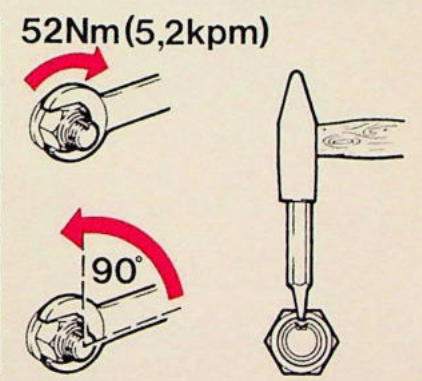
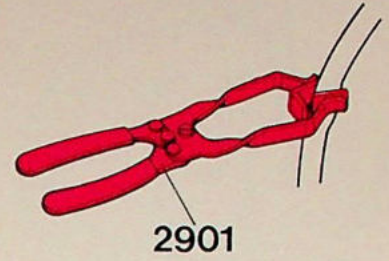
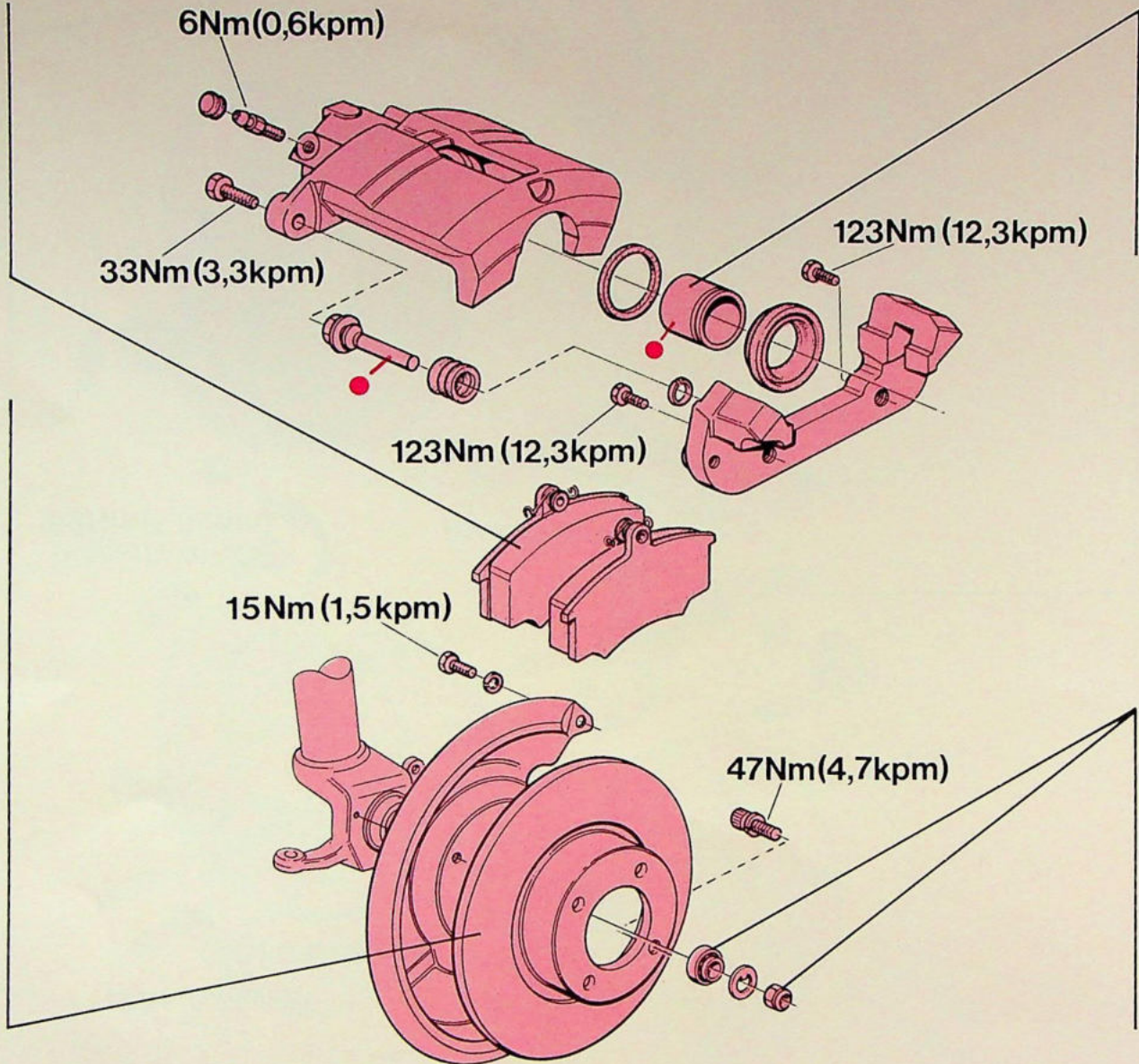
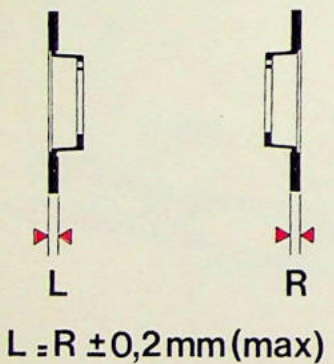
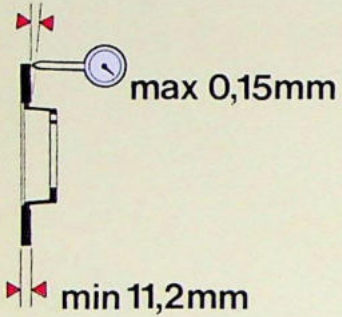
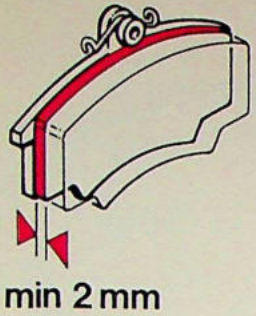


52Nm (5,2kpm)

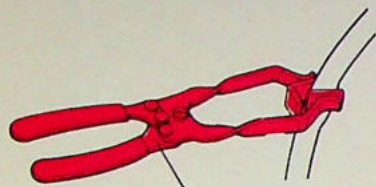
90°



● Brake paste ● 1161037)

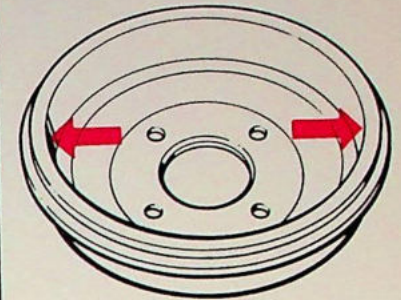
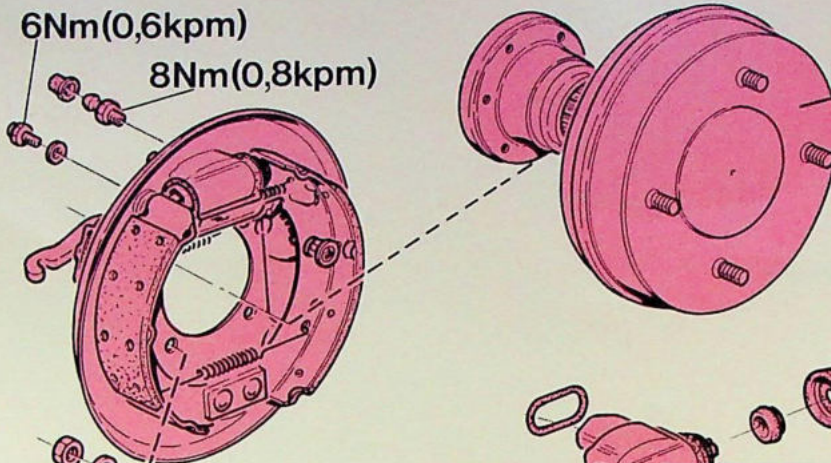


● Brake paste (1161037)



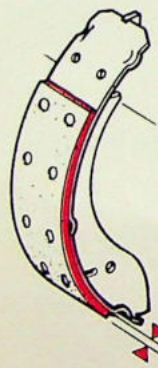
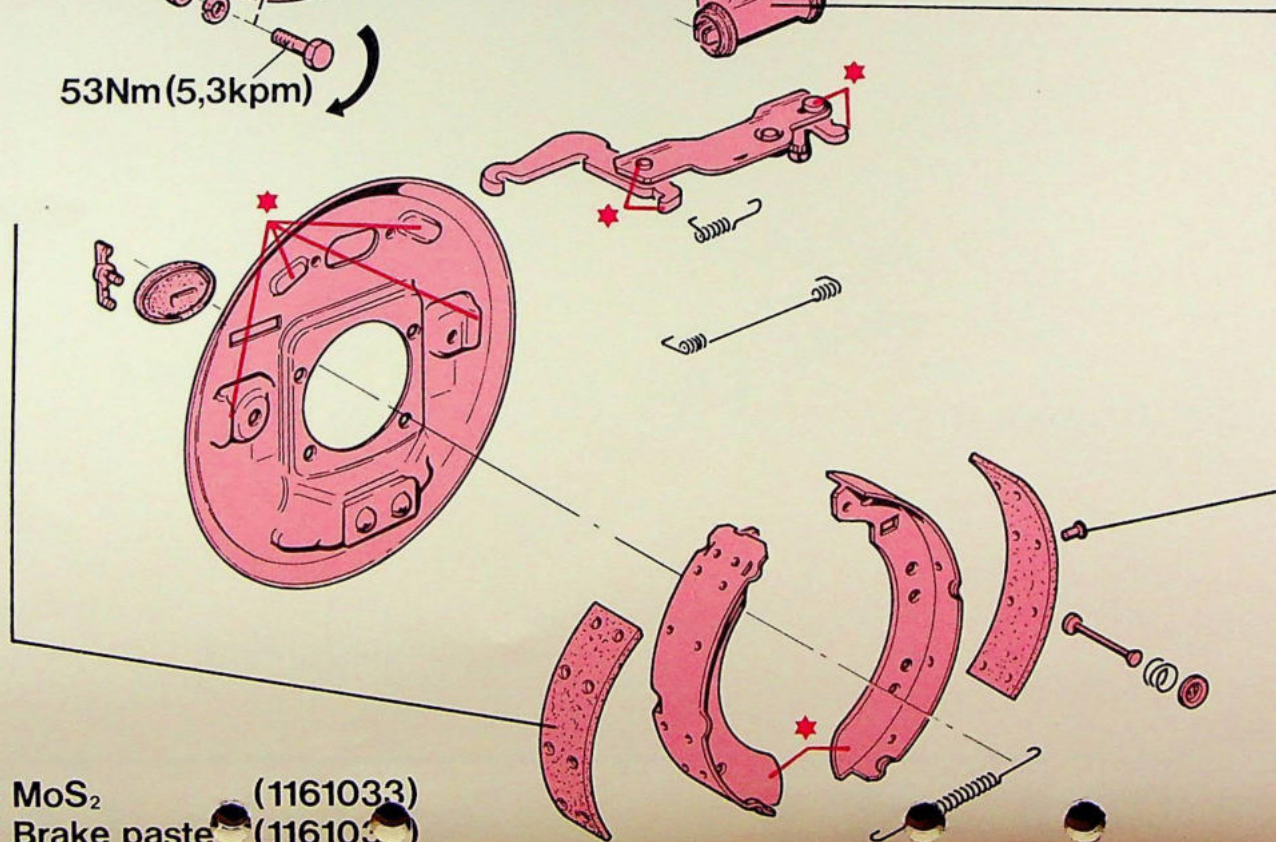
2901

6Nm(0,6kpm)
8Nm(0,8kpm)

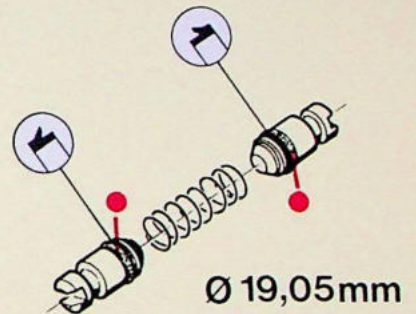


Ø 204,2mm max.

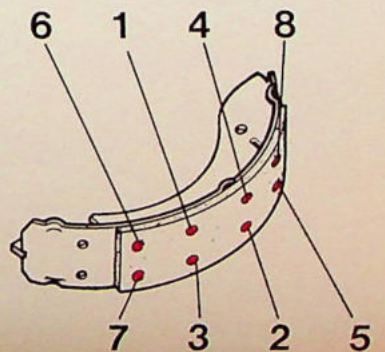
53Nm(5,3kpm)



min 2mm



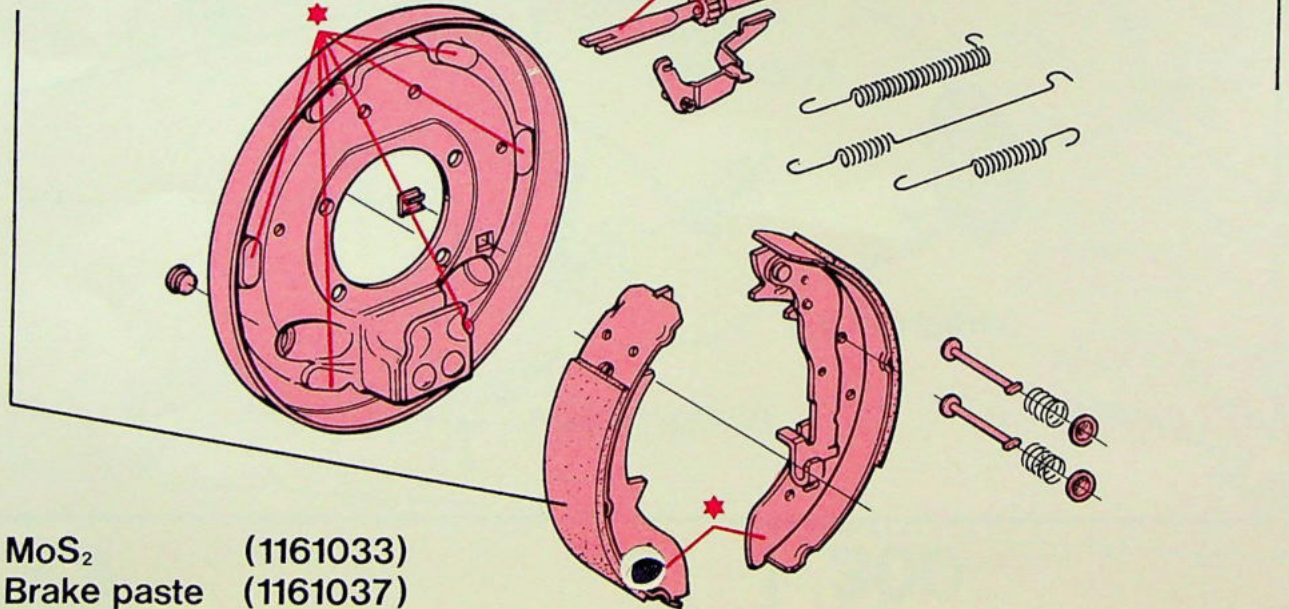
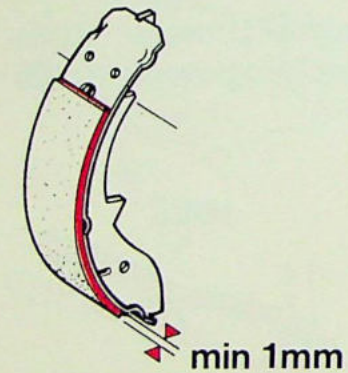
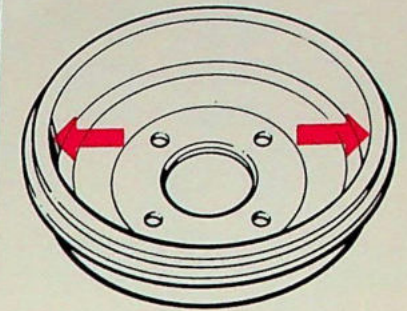
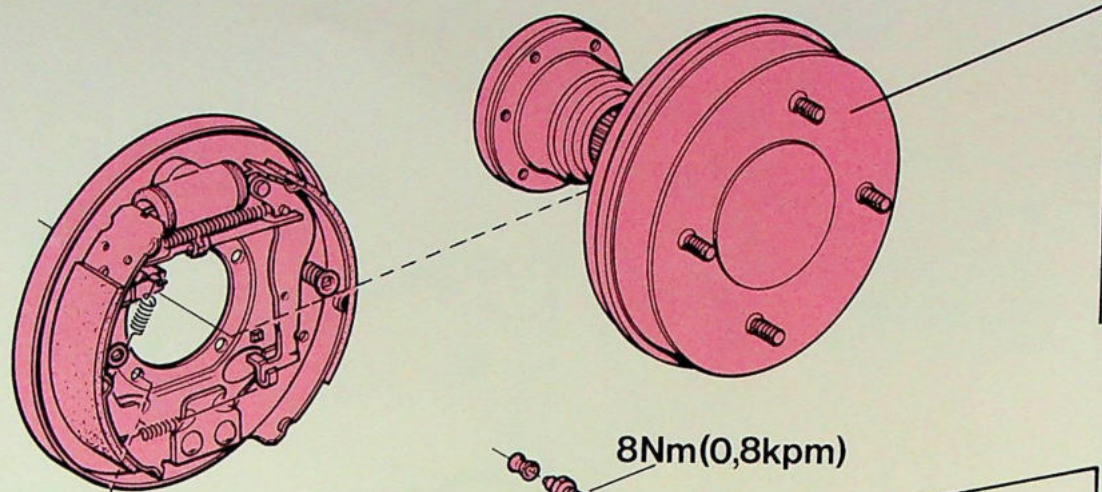
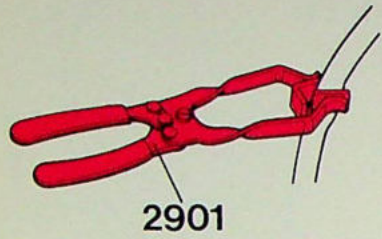
Ø 19,05mm



- ★ MoS₂ (1161033)
- Brake paste (1161033)

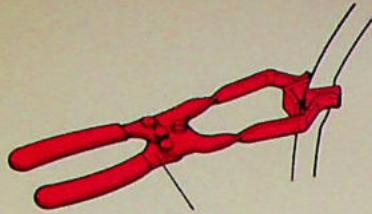


2901



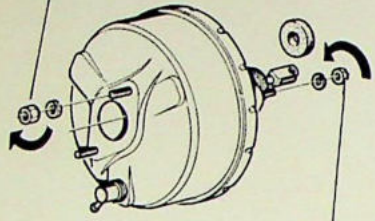
- ★ MoS₂ (1161033)
- Brake paste (1161037)



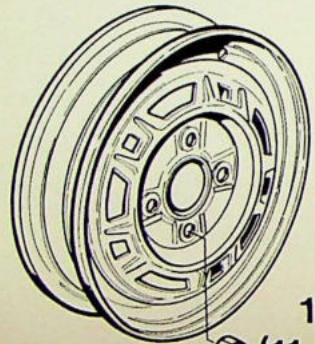


2901

-1980 24Nm(2,4kpm)
1980- 14Nm(1,4kpm)



Girling 13Nm(1,3kpm)
Bendix 22Nm(2,2kpm)



115Nm
(11,5kpm)

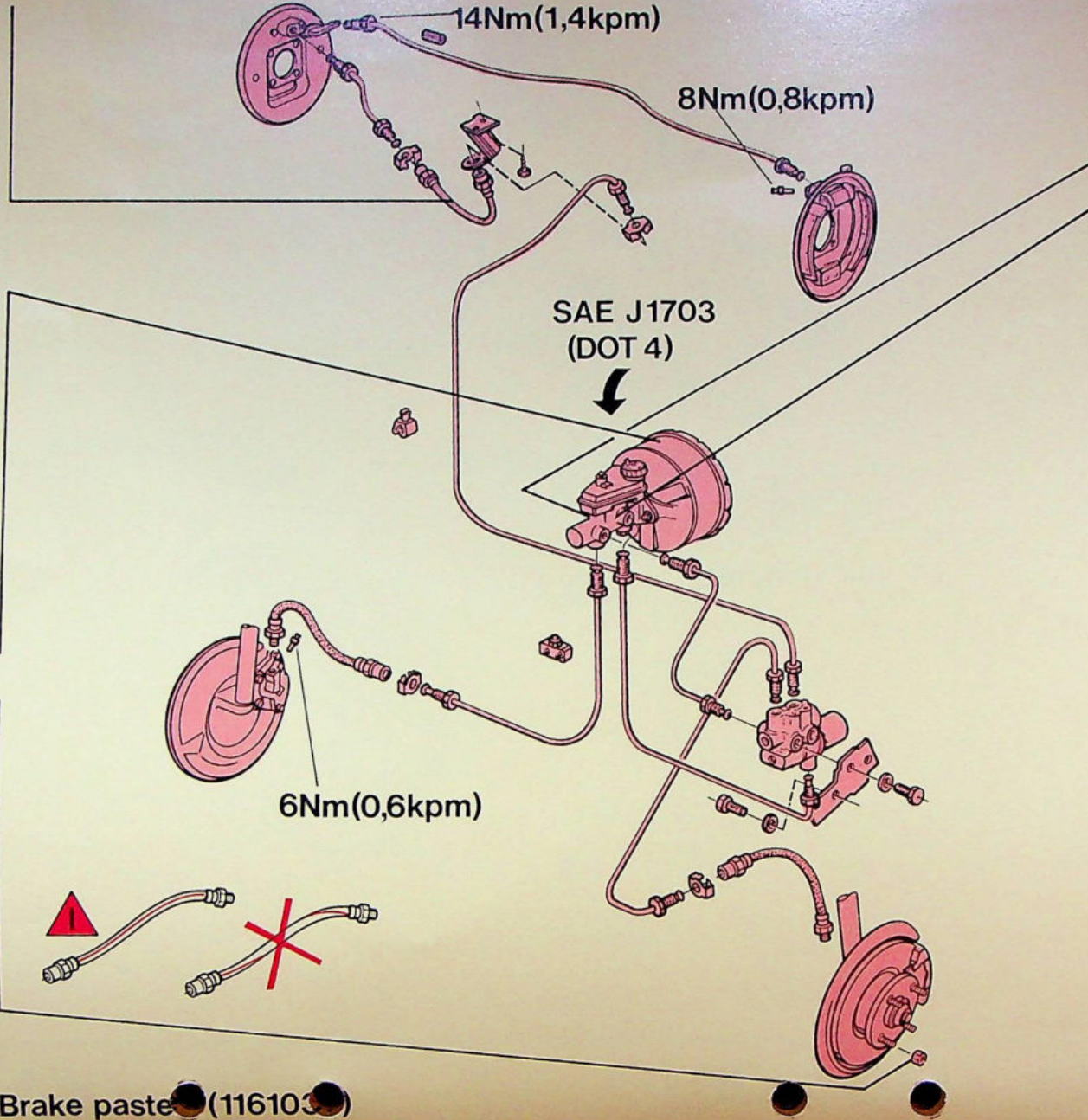


2901



5856

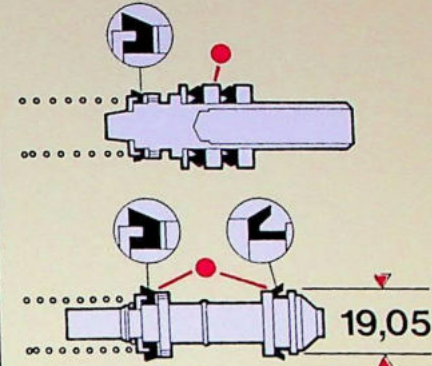
• Brake paste (116103)



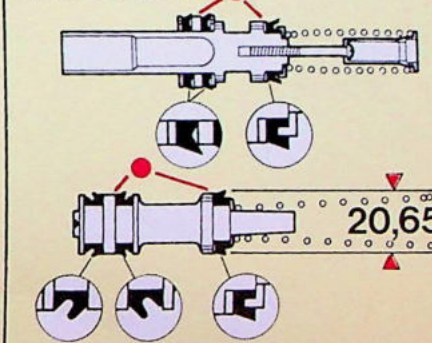
2000 kPa
(20 kp/cm²)

19Nm(1,9kpm)

-451743

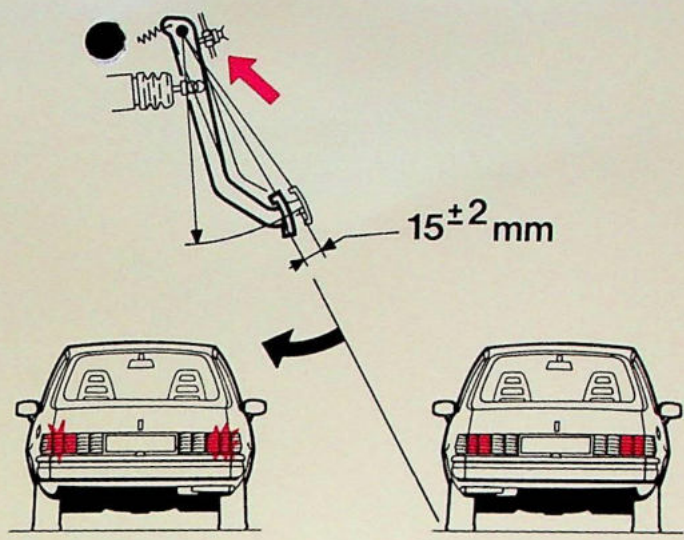
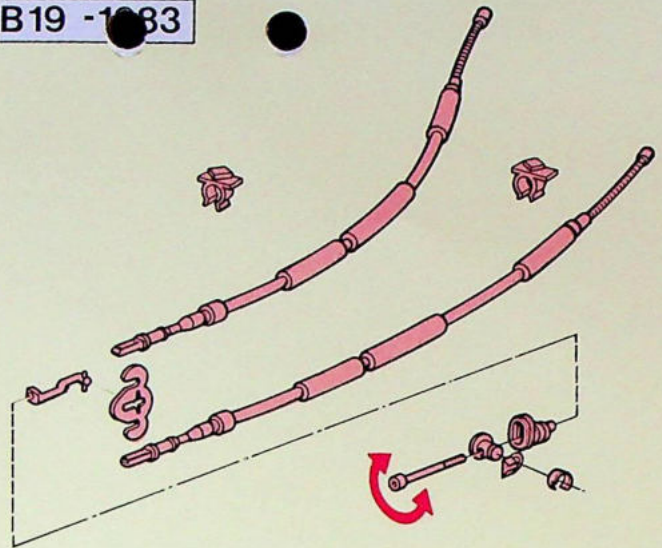


451743-

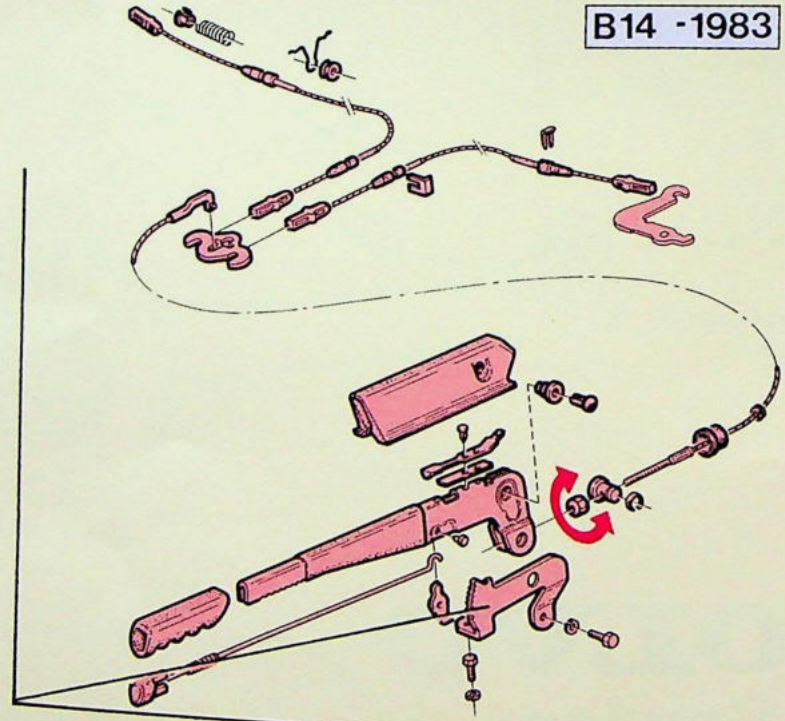


5856

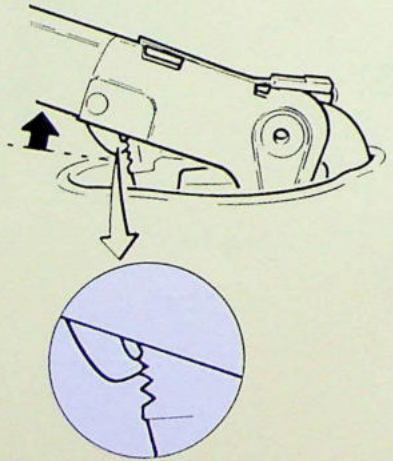
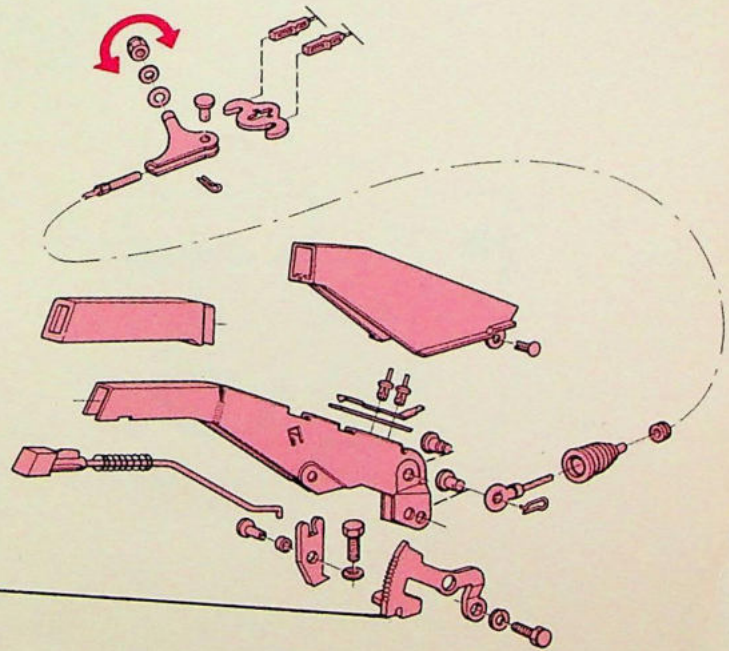
B19 -1983



B14 -1983



B14/B19 1983-



B14 3-4
B19 5-7