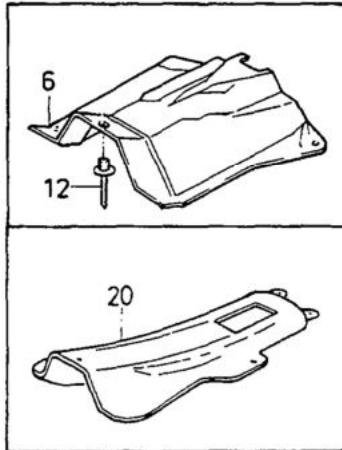


VOLVO PARTS  
1025 - 19480



A		B18K					EXHAUST SYSTEM		AVGASSYSTEM		Group
B		B18KD									Grupp
C		B18KP									25
D		B18KPD									Page
E							MAN.TRANS				Sida
Fig	Part No. Artikel nr	Quantity / Antal					P S	Description	Benämning	Notes Anmärkning	S R
		A	B	C	D	E					
1	3453398-4	-	-	1	1	-	Exhaust pipe, front .....	Avgasrör, främre .....	(3345771)	1	
	3446816-5	1	1	-	-	-	Exhaust pipe, front .....	Avgasrör, främre .....	CH -103837	1	
	3455658-9	1	1	-	-	-	Exhaust pipe, front .....	Avgasrör, främre .....	CH 103838-	1	
2	3458982-0	-	1	-	1	-	Catalytic converter .....	Katalysrenare .....	(3446577)	2	
3	948404-9	-	1	-	1	-	• Plug .....	• Propp .....		2	
4	3923213-7	2	2	2	2	-	Bolt .....	Bult .....		1	
5	3462563-2	2	2	2	2	-	Spring .....	Fjäder .....		1	
6	3463733-0	-	1	-	1	-	Heat shield .....	Värmesköld .....	(3446611) CH -053292	4	
7	3923441-4	2	2	2	2	-	Clamp .....	Klämma .....		1	
8	(3446574)	1	-	1	-	-	SP Silencer .....	Ljuddämpare .....	REPL 1 PCS 3473003-6, 1 PCS 3473008-5, 1 PCS 3473009-3, 2 PCS 3923441-4.	1	
	(3436751)	-	1	-	1	-	SP Silencer .....	Ljuddämpare .....	REPL 1 PCS 3923441-4, 1 PCS 3473005-1, 1 PCS 3473008-5, 1 PCS 3473009-3.	1	
9	3473008-5	-	1	-	1	-	Silencer .....	Ljuddämpare .....		2	
	3445663-2	-	-	1	1	-	Ring .....	Ring .....		1	
	3455653-0	1	1	-	-	-	Ring .....	Ring .....		1	
10	(3414882)	1	-	1	-	-	SP Silencer, rear .....	Ljuddämpare, bakre .....	440 REPL 1 PCS 3467139-6, 1 PCS 3466700-6, 1 PCS 3923345-7.	1	
	(3459671)	-	1	-	1	-	SP Silencer, rear .....	Ljuddämpare, bakre .....	440 REPL 1 PCS 3467139-6, 1 PCS 3466698-2, 1 PCS 3923345-7.	1	
	(3435797)	-	-	1	-	-	SP Silencer, rear .....	Ljuddämpare, bakre .....	460 REPL 1 PCS 3467139-6, 1 PCS 3923345-7, 1 PCS 3466701-4.	1	
	(3459672)	-	-	-	1	-	SP Silencer, rear .....	Ljuddämpare, bakre .....	460 REPL 1 PCS 3467139-6, 1 PCS 3923345-7, 1 PCS 3466699-0.	1	
11	3467139-6	1	1	1	1	-	Silencer, rear .....	Ljuddämpare, bakre .....		1	
	1206468-9	2	2	2	2	-	Shackle .....	Hänke .....		1	
12	3270186-4	-	6	-	6	-	Rivet .....	Nit .....		2	
13	667503-7	2	2	2	2	-	Rubber ring .....	Gummiring .....		1	
14	8431237-0	2	2	2	2	-	Bolt .....	Bult .....		5	
15	8427159-2	2	2	-	-	-	Spring .....	Fjäder .....	CH -103837	5	
	3458702-2	2	2	-	-	-	Spring .....	Fjäder .....	CH 103838-	4	
	8427159-2	-	-	2	2	-	Spring .....	Fjäder .....		5	
16	976944-9	2	2	2	2	-	Washer .....	Bricka .....	(960141)	2	
17	3122198-9	2	2	2	2	-	Lock nut .....	Låsmutter .....		1	
18	3121321-8	2	2	2	2	-	Bushing .....	Bussning .....		1	
19	3446573-2	1	1	1	1	-	Gasket .....	Packning .....		1	
20	3435529-7	1	1	1	1	-	Heat shield .....	Värmesköld .....	CH 053293-226921	4	
	3463733-0	1	1	1	1	-	Heat shield .....	Värmesköld .....	L.H.D. CH 226922-	4	
	3463733-0	1	1	1	1	-	Heat shield .....	Värmesköld .....	(3463732) R.H.D. CH 226922-	4	

A	B18E	EXHAUST SYSTEM					AVGASSYSTEM					Group
												Grupp
B	B18F	EXHAUST SYSTEM					AVGASSYSTEM					25
C	B18 TURBO											Page
D		EXHAUST SYSTEM					AVGASSYSTEM					Sida
E												207
		MAN.TRANS										
Fig	Part No. Artikel nr	Quantity / Antal					P S	Description	Benämning	Notes Anmärkning	S R	
		A	B	C	D	E						
1	3433140-5	1	-	-	-	-		Exhaust pipe, front .....	Avgasrör, främre .....	CH -029480	1	
	3447625-9	1	-	-	-	-		Exhaust pipe .....	Avgasrör .....	CH 029481-	1	
2	3414302-4	1	1	-	-	-		Gasket .....	Packning .....	CH -029480	1	
	3447360-3	1	1	-	-	-		Gasket .....	Packning .....	CH 029481-	1	
3	3122198-9	6	6	-	-	-		Lock nut .....	Låsmutter .....		1	
4	3923441-4	2	1	-	-	-		Clamp .....	Klämma .....		1	
	3923442-2	-	-	1	-	-		Clamp .....	Klämma .....		1	
5	(3452913)	1	-	-	-	-	SP	Silencer, front .....	Ljuddämpare, främre .....	(3414659) REPL 1 PCS 3473002-8, 1 PCS 3473008-5, 1 PCS 3473009-3, 2 PCS 3923441-4.	1	
6	667503-7	2	2	2	-	-		Rubber ring .....	Gummiring .....		1	
7	3434657-7	-	-	1	-	-		Gasket .....	Packning .....	CH -123646	1	
	3450022-3	-	-	1	-	-		Gasket .....	Packning .....	CH 123647-	1	
8	3434419-2	-	-	1	-	-		Exhaust pipe .....	Avgasrör .....	CH -123646	1	
	3451277-2	-	-	1	-	-		Exhaust pipe .....	Avgasrör .....	CH 123647-	1	
9	3418791-4	-	-	4	-	-		Nut .....	Mutter .....		3	
10	3433719-6	-	1	-	-	-		Exhaust pipe .....	Avgasrör .....	CH -029480	1	
	3447626-7	-	1	-	-	-		Exhaust pipe, front .....	Avgasrör, främre .....	CH 029481-	1	
11	970951-0	-	4	4	-	-		Screw .....	Skruv .....	(955321)	2	
12	3435238-5	-	1	1	-	-		Gasket .....	Packning .....		2	
13	971098-9	-	4	4	-	-		Flange lock nut .....	Flänslåsmutter .....		2	
14	1206468-9	2	2	2	-	-		Shackle .....	Hänke .....		1	
15	(3414882)	1	-	-	-	-	SP	Silencer, rear .....	Ljuddämpare, bakre .....	440. -1993 REPL 1 PCS 3467139-6, 1 PCS 3466700-6, 1 PCS 3923345-7.	1	
	(3459671)	-	1	-	-	-	SP	Silencer, rear .....	Ljuddämpare, bakre .....	440. -1993 REPL 1 PCS 3467139-6, 1 PCS 3466698-2, 1 PCS 3923345-7.	1	
	(3453368)	-	-	1	-	-	SP	Silencer, rear .....	Ljuddämpare, bakre .....	(3545693) 440. -1993 REPL 1 PCS 3467138-8, 1 PCS 3466696-6, 1 PCS 3923446-3.	1	
	(3435799)	-	-	1	-	-	SP	Silencer, rear .....	Ljuddämpare, bakre .....	460. -1993 REPL 1 PCS 3923446-3, 1 PCS 3467138-8, 1 PCS 3466697-4.	1	
	3467139-6	1	1	-	-	-		Silencer, rear .....	Ljuddämpare, bakre .....	440. -1993	1	
	3467138-8	-	-	1	-	-		Silencer, rear .....	Ljuddämpare, bakre .....	440, 460. -1993	1	
	3462521-0	-	-	1	-	-		Silencer, rear .....	Ljuddämpare, bakre .....	440. 1994-	1	
	3462522-8	-	-	1	-	-		Silencer, rear .....	Ljuddämpare, bakre .....	460. 1994-	1	
16	(3445876)	-	1	-	-	-	SP	Exhaust pipe .....	Avgasrör .....	440 REPL 1 PCS 3473004-4, 1 PCS 3473008-5, 1 PCS 3473009-3, 2 PCS 3923441-4.	1	
	(3448847)	-	-	1	-	-	SP	Exhaust pipe .....	Avgasrör .....	REPL 1 PCS 3473007-7, 1 PCS 3473010-1, 1 PCS 3473011-9, 2 PCS 3923442-2.	1	
	3473009-3	-	1	-	-	-		Exhaust pipe .....	Avgasrör .....		2	
	3473010-1	-	-	1	-	-		Exhaust pipe .....	Avgasrör .....		2	
17	3463733-0	1	1	1	-	-		Heat shield .....	Värmesköld .....	(3446611) CH -053292	4	
18	3462685-3	-	1	1	-	-		Lambda sond .....	Lambdasond .....	(3436465) FT CH -603473	1	
	3474457-3	-	1	1	-	-		Lambda sond .....	Lambdasond .....	FT. CH 603474-	1	
19	3121678-1	11	11	11	-	-		Rivet .....	Nit .....		2	
20	3432080-4	-	1	1	-	-		Catalytic converter .....	Katalysrenare .....	FT	2	
	3449606-7	-	-	1	-	-		Catalytic converter .....	Katalysrenare .....	FTM, CH -006258	2	

A	B18E					EXHAUST SYSTEM	AVGASSYSTEM	Group Grupp	25			
	B	B18F										
		C	B18 TURBO									
			D									
				E	MAN.TRANS							
Fig	Part No. Artikel nr	Quantity / Antal					P S	Description	Benämning	Notes Anmärkning	S R	
		A	B	C	D	E						
21	3450200-5	-	-	1	-	-		Silencer .....	Ljuddämpare .....	FTM, CH 006259-	2	
	3445896-8	-	1	1	-	-		• Plug .....	• Propp .....		3	
22	3435529-7	1	1	1	-	-		Heat shield .....	Värmesköld .....	CH 053293-226921	4	
	3463733-0	-	1	1	-	-		Heat shield .....	Värmesköld .....	(3463732) CH 226922-	4	
	3122217-7	-	1	1	-	-		• Connector .....	• Förbindningsstycke .....		3	