

FOREWORD (GB)

Group

01

Page

9

This catalogue contains parts for our cars in the 480 series

PRODUCT PLATES

Placing and code keys for those product plates which contain important information for ordering parts are illustrated in the following pages

ABBREVIATIONS

Explanation of the abbreviations used in the catalogue are to be found in Group 02.

CHASSIS NUMBER

The first chassis number for each model year is as follow:

1986: CH EGC 500000-
1987: CH EHC 501200-
1988: CH EJC 517501-
1989: CH EKC 536101-

1990: CH ELC 549001-
1991: CH EMC 563101-
1992: CH ENC 573100-
1993: CH EPC 581000-

1994: CH ERC 586300-
1995: CH ESC 590001-

The Parts catalogue for the 480 series can be ordered from
Volvo Transport AB
Publication Store
ARU
S-405 08 Göteborg, Sweden
Order number

Language	Paper	Fiche
English/Swedish	196014	196015
German/French	-	196017
Italian/Spanish	-	196100

Volvo Car Corporation, Aftersales
Dept. 57932, PVV 2:1
S-405 08 Göteborg, Sweden
Tel: 46 - 31593953
Fax: 46 31 537155
Memoid: VCAS.CATVCC

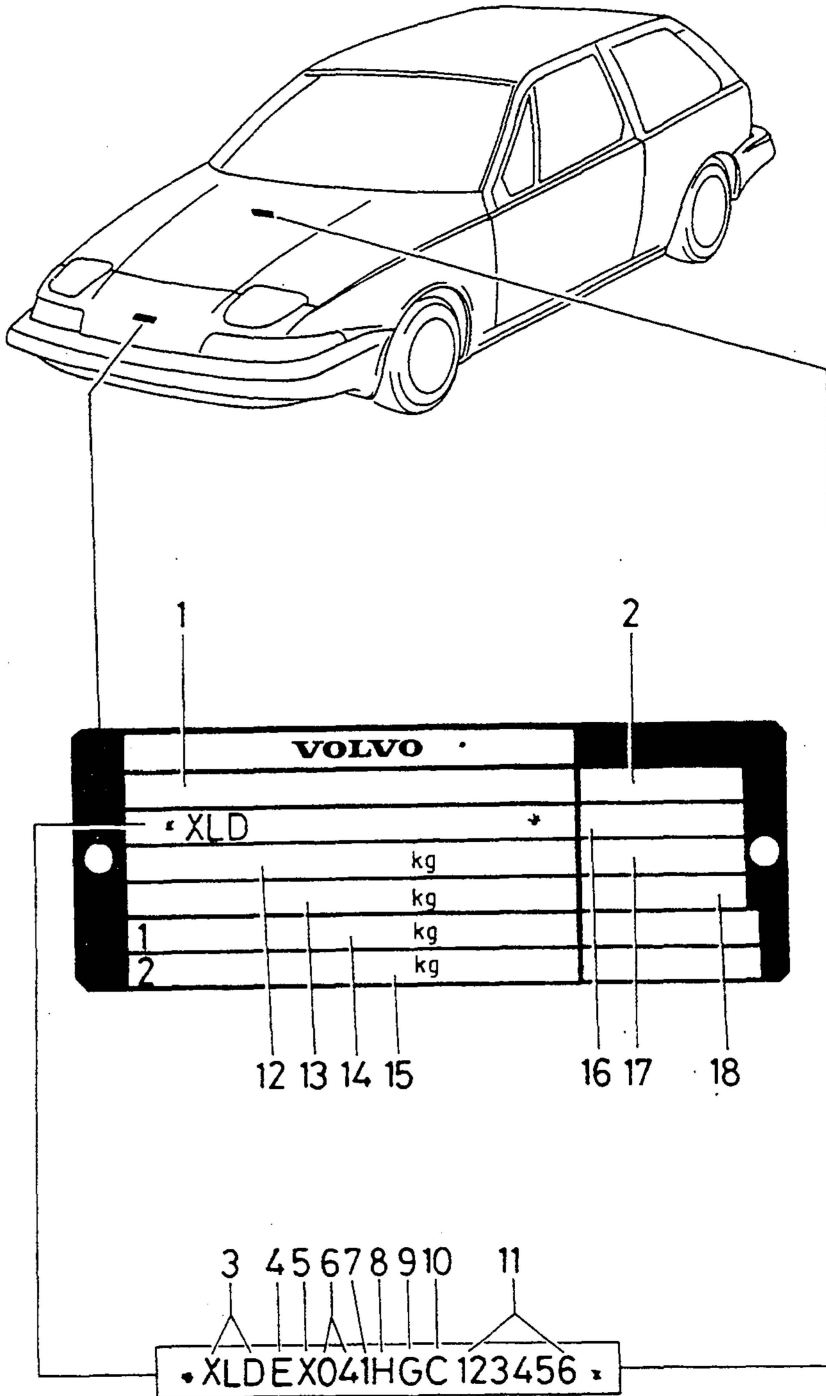
Group

01

Page

10

FOREWORD (GB)



FOREWORD (GB)

Group

01

Page

11

Product plate**1. (Type approval No. for certain markets)****2. Special vehicle number****3. (Manufacturer code)****4. Vehicle type****5. Safety equipment****6. Engine type**

04 = B18ES

05 = B18ED

06 = B18FTM

14 = B18E/EP

18 = B18F/FP

19 = B18FT

31 = B20F

7. Gear box

3 = manuel gearbox (MT-5)

5 = automatic gearbox (AT-4)

8. Fast digit**9. Model year**

G = 1986

H = 1987

J = 1988

K = 1989

L = 1990

M = 1991

N = 1992

P = 1993

R = 1994

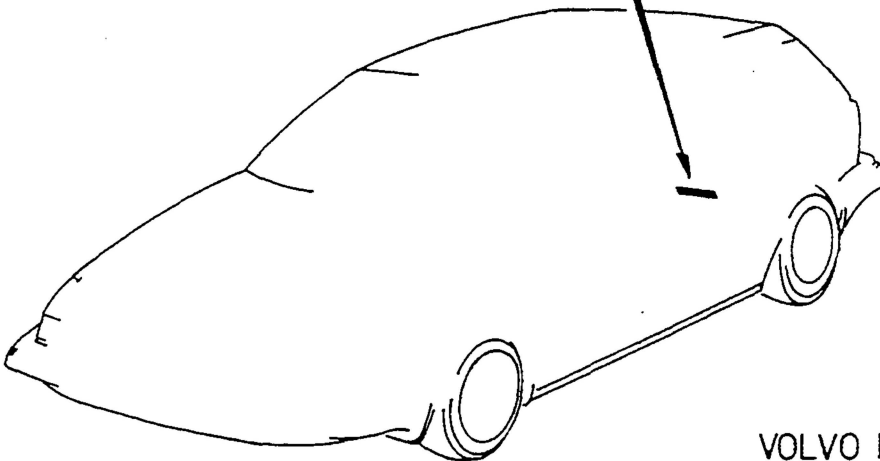
S = 1995

10. Works code, Born**11. Chassis number****12. (Max weight of vehicle)****13. (Max train weight of vehicle)****14. (Max front axle load)****15. (Max rear axle load)****16. Market code****17. Colour code****18. Interior fitting code**

Group	FOREWORD (GB)
01	
Page	
12	

1
2
3
4
5
6
4801406131

MODEL TYPE	VERSION	VERSION	VERSION	
CHASSIS TYPE	CHASSI TYF	CHASSIS TYPE	CHASSI TYF	7
BRAKES	BREMSAR	FREINS	BREMSEN	8
CARBURETOR	FÖRGASARE	CARBURATEUR	VERGASER	9
FUEL PUMP	BÄNSL PUMP	PUMPE DE CARBURANT	BÄNSL PUMPE	10
OPTION	ALTERNATIV	OPTION	EXTRA	11
CLUTCH	KOPPLING	EMBRAYAGE	KUPPLING	12
GENERATOR	GENERATOR	ALTERNATEUR	GENERATOR	13
STEERING-GEAR	STYRVÄXEL	BOITIER DE DIRECTION	LEGET INRICHTING	14



VOLVO PARTS
1010 18571

FOREWORD (GB)

Group

01

Page

13**SERVICE LABEL****1. Vehicle type****2. Engine type**

04 = B18ES
05 = B18ED
06 = B18FTM
14 = B18E/EP
18 = B18F/FP
19 = B18FT
31 = B20F

3. Equipment level

94 = 480ES EUROPE
95 = 480TURBO EUROPE

4. Body

1 = without sunroof
2 = with sunroof

5. Gear box

3 = manuel gearbox (MT-5)
5 = automatic gearbox (AT-4)

6. Steering wheel location

1 = Left hand drive
2 = Right hand drive

7. Chassis type**8. Brakes (front, rear, hydraulic control unit)**

1 = Girling, ATE, DBA
2 = Girling, ATE, ATE

9. Fuel system

1 = Renix = injection
2 = Bosch = injection

10. Fuel pump

1 = Bosch

11. Option**12. Clutch**

3 = Valeo
5 = ZF

13. Alternator

1 = Valeo
2 = Bosch

14. Steering mechanism

1 = Cam gear
2 = Volvo

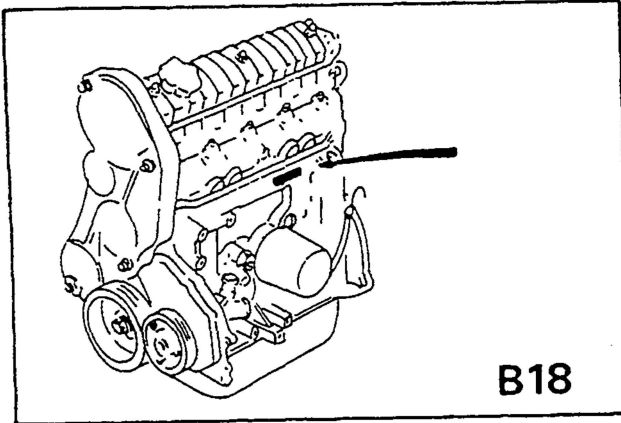
Group

01

Page

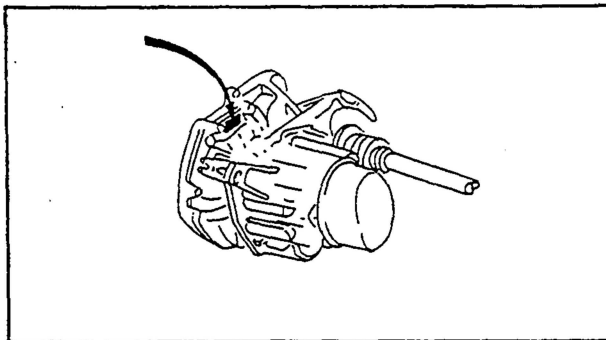
14

FOREWORD (GB)

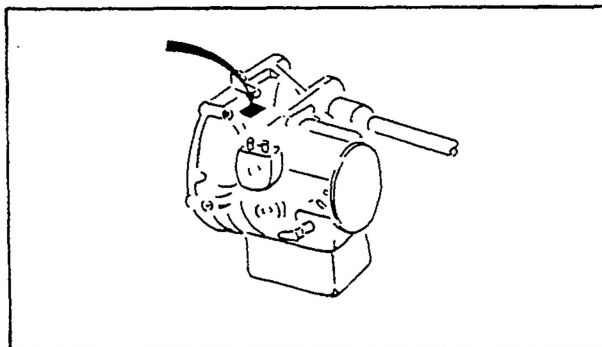


1

B18



2



3

VOLVO PARTS
1010 18509

FOREWORD (GB)

Group

01

Page

15**Plates on engine, gearbox**

1. Position engine number
2. Position manuel gearbox
3. Position automatic gearbox