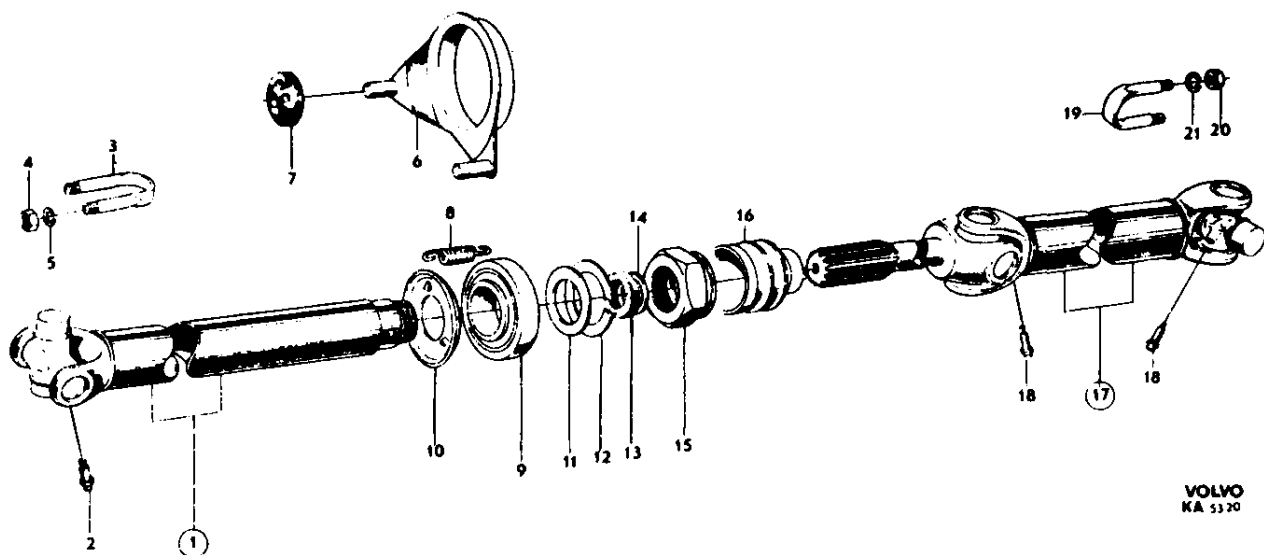


Pos Fig.	Antal Qty.			Benämning	Description	Det. nr Part No.	Anmärkning Notes
	P120 M30 M40	P130 P220 M40	P120 P130 M41				
1	1	1	1	Kardanaxel, främre Kardanaxel, främre . Det se sida 67	Propeller shaft, forward Propeller shaft, forward . Components, see page 67	656794-5 662344-1	1,2) 1,3)
2	1	1	1	Smörjnippel	Lubricator	192554-4	100007
3	2	2	2	Krampa	U-bolt	190424-2	
4	4	4	4	Mutter	Nut	955847-9	921781
5	4	4	4	Fjäderbricka	Spring washer	955921-2	906990
6	1	1	1	Hållare	Retainer	658516-0	
7	2	2	2	Gummikudde	Rubber cushion	658653-1	
8	1	1	1	Returfjäder	Return spring	666375-1	
9	1	1	1	Kullager	Ball bearing	181252-8	SKF: 23G-88107
10	1	1	1	Stänkskydd	Splash protector	666226-6	
11	1	1	1	Tryckbricka	Thrust washer	190426-7	
12	1	1	1	Låsbricka	Lock washer	190427-5	
13	1	1	1	Korkpackning	Cork packing	15550-7	4)
14	1	1	1	Bricka	Washer	190425-9	4) Tid utf
15	1	1	1	Mutter	Nut	190428-3	4)
	1	1	1	Mutter	Nut	671446-3	Sen utf
16	1	1	1	Gummitätning	Rubber seal	675587-0	
17	1	1	1	Kardanaxel, bakre . Det se sida 67	Propeller shaft, rear . Components, see page 67	653052-1	1,5)
18	2	2	2	Smörjnippel	Lubricator	192554-4	100007
19	2	2	2	Krampa	U-bolt	190424-2	
20	4	4	4	Mutter	Nut	955847-9	921781
21	4	4	4	Fjäderbricka	Spring washer	955921-2	906990



1. P120 ch-129999 excl 129901-129903.
P130 ch-25199.
P220 ch-5399.
2. Ers av: 1 st 669266-9, 1 st 87614-4.
3. Ers av: 1 st 669277-6, 1 st 671446-3, 1 st 671480-2, 1 st 675587-0.
4. Ers av: 1 st 671446-3, 1 st 675587-0.
5. P120-130 ENV, Ers av: 1 st 669268-5, 1 st 669386-5.
P120-130 Sp, Ers av: 1 st 669268-5, 1 st 669548-0.
P220. Ers av: 1 st 669268-5, 1 st 89263-8.

VOLVO
KA 5320