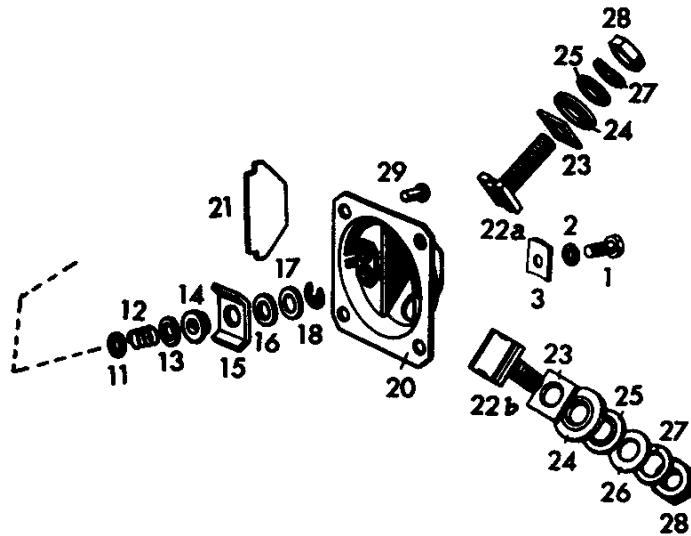
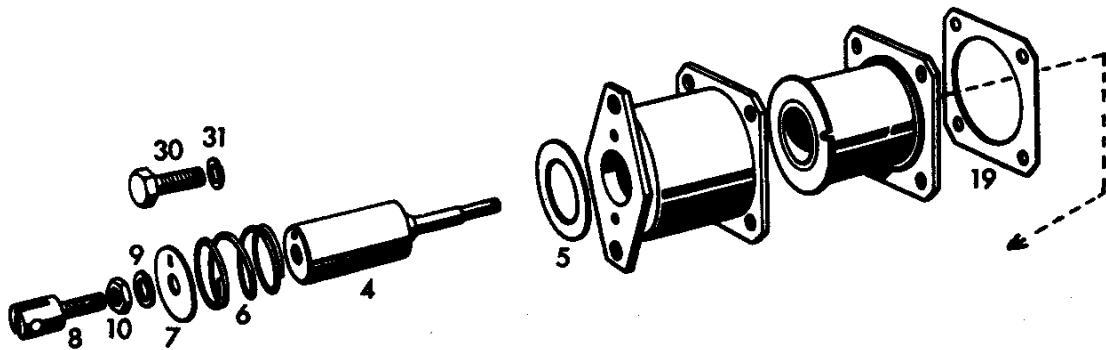


VOLVO Reservdelskatalog Parts catalogue	P 120 P 130 P 220(B18)			Grupp Group 10	
	Manövermagnet	238830	Solenoid switch	Utgåva Issue 5	Sida Page 19



Grupp Group		P 120 P 130 P 220(B18)			VOLVO	
10		Manövermagnet 238830 Solenoid switch			Reservdelskatalog Parts catalogue	
Sida Page	18	Utgåva Issue	5			
Pos Fig.	Antal Qty.	Benämning	Description	Def. nr Part No. Volvo	Def. nr Part No. Bosch	
	1	Manövermagnet	Solenoid switch	238830-4	SSM 120 L 39	0 331 300 025
1	1	. Anslutningskruv Terminal screw	956059-0	NSR 5262/13	2 910 021 118
2	1	. Fjäderbricka Spring washer	955917-0	NMS 440/3	2 916 690 003
3	1	. Underläggsplatta Plate	238229-9	WPT 100 L 3	1 331 030 000
4	1	. Ankare med axel Armature with shaft	239341-1	SAN 30 L 10	1 330 363 007
5	1	. Packning Packing washer	48814-8	WNS 4/1	1 200 111 001
6	1	. Fjäder Armature return spring	239342-9	WSF 650/84	1 334 616 015
7	1	. Stödbricka Retaining disk	239343-7	SMS 48/1	1 330 100 001
8	1	. Länkgaffel Link fork	239344-5	SHGK 3 L 2	1 332 121 001
9	1	. Fjäderbricka Lock washer	239345-2	WMR 50 L 3	1 330 224 000
10	1	. Mutter Nut	955781-0	NMU 2056/1	2 915 051 106
11	1	. Justerbricka Shim	239346-0	WMS 552/36	1 330 100 030
12	1	. Fjäder Spring	239347-8	WSF 650/78	1 334 612 005
13	1	. Bricka Washer	25261-9	NMS 10/1	2 916 011 011
14	1	. Isolerbussning Insulating bushing	239348-6	WNB 20 J 1	1 330 321 005
15	1	. Kontaktskena Contact rail	239349-4	SKT 3/8	1 331 321 020
16	1	. Isolerbricka Insulating washer	239350-2	WNS 539/58	1 330 112 020
17	1	. Tallriksbricka Dished washer	239351-0	WMS 794/1	1 330 500 010
18	1	. Låsbricka Retaining ring	238531-8	NMS 663/1	2 916 085 007
19		. Packning,	. Gasket,			
erf		. . tj. = 0,2 Th. = 0.2	239352-8	SHPT 222 L 1	1 331 015 010
erf		. . tj. = 0,4 Th. = 0.4	239353-6	SHPT 222 L 2	1 331 015 011
erf		. . tj. = 0,6 Th. = 0.6	239354-4	SHPT 222 L 3	1 331 015 012
erf		. . tj. = 0,8 Th. = 0.8	239355-1	SHPT 222 L 4	1 331 015 013
20	1	. Lock Switch cover	239356-9	SHDE 6 L 26	1 330 520 143
21	2	. . Isolerplatta Insulating plate	239357-7	SHPT 64 L 7	1 331 008 014
22a	1	. . Kontaktbult, lång Contact bolt, long	239358-5	SHBO 40 L 1	1 333 149 040
22b	1	. . Kontaktbult, kort Contact bolt, short	239359-3	SHBO 40 L 8	1 333 149 047
23		. . Isolerplatta,	. . Insulating plate,			
erf		. . . tj. = 0,2 Th. = 0.2	239360-1	SPT 285 L 11	1 331 031 000
erf		. . . tj. = 0,5 Th. = 0.5	239361-9	SPT 285 L 12	1 331 031 001
	2	. . . tj. = 2,0 Th. = 2.0	239362-7	SPT 285 L 13	1 331 031 002
24	2	. . Isolerbricka Insulating washer	77587-4	WNS 568/5	1 330 121 000
25	2	. . Bricka Washer	238831-2	WMS 50 L 18	1 330 120 000
26	1	. . Låsbricka Tightening washer	77586-6	WMS 789/2	1 330 170 001
27	3	. . Fjäderbricka Spring washer	955921-2	NMS 440/6	2 916 693 007
28	2	. . Mutter Hexagon nut	955782-8	NMU 2057/1	2 915 051 107
29	4	. Nit Rivet	239363-5	WNJ 16 L 2	1 333 132 005
30	2	Fästskruv	Fixing screw	955270-4	NSR 5368/44 1)	2 911 061 196
31	2	Fjäderbricka	Spring washer	955919-6	NMS 440/5 1)	2 916 693 005

1. Ingår ej i manövermagnet, kmpl.
Not included in solenoid switch, cpl.
Ne fait pas partie de contacteur, complet.
Gehört nicht zur Anlassmagnetschalter, komplett.
No forma parte de solenoide de control, completo.