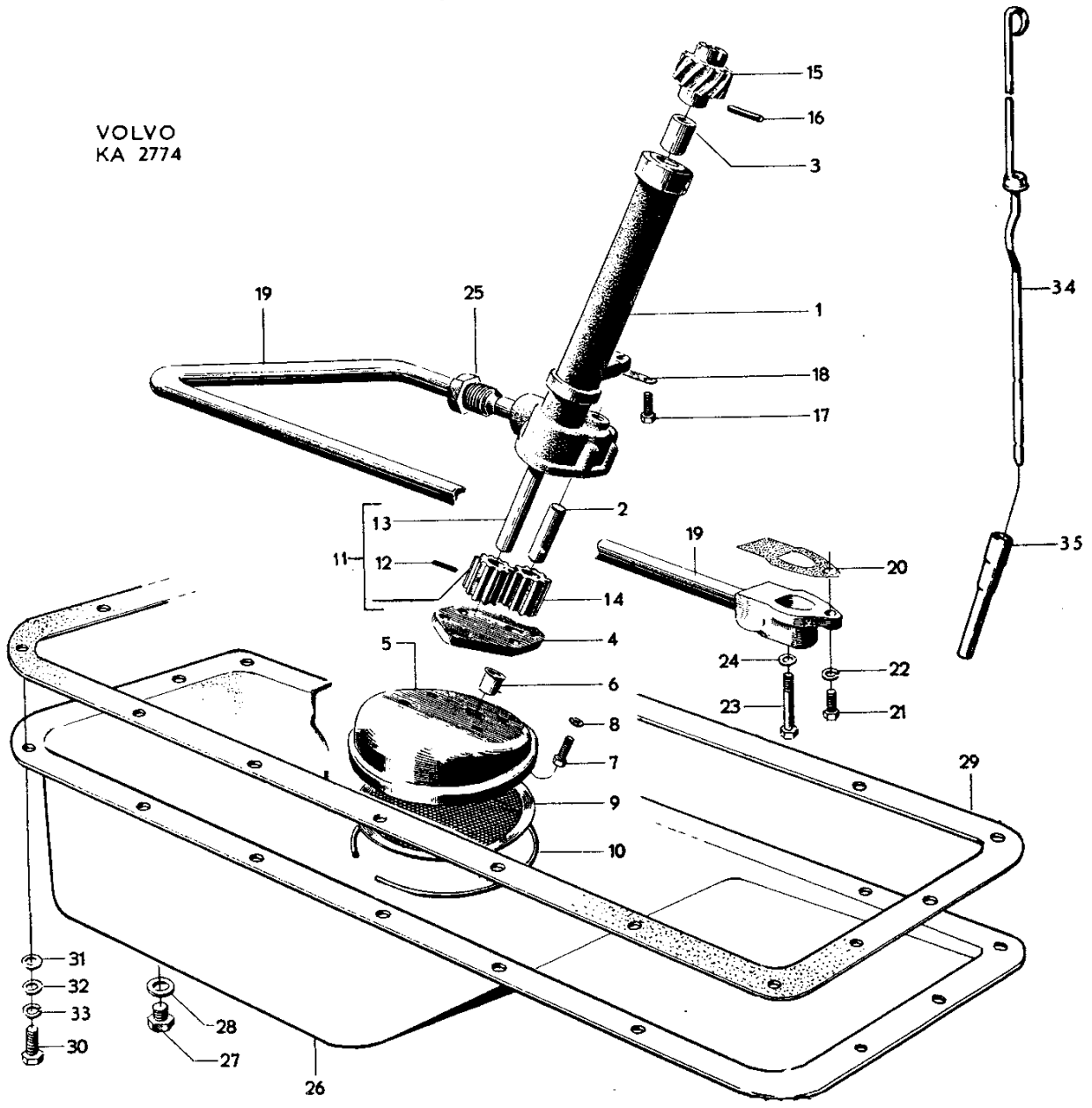


VOLVO  
KA 2774



| Grupp<br>Group |               | 2 a             |                         | P 120                            |                     | VOLVO<br>Reservdelskatalog<br>Parts catalogue |  |
|----------------|---------------|-----------------|-------------------------|----------------------------------|---------------------|---|--|
| Sida<br>Page   | 14            | Utgåva<br>Issue | 5                       |                                  |                     |   |  |
| Pos<br>Fig.    | Antal<br>Qty. |                 | Benämning               | Description                      | Det. nr<br>Part No. | Anmärkning<br>Notes                           |  |
|                | B 16 A        | B 16 B          |                         |                                  |                     |   |  |
|                | 1             |                 | Oljepump, kompl. ....   | Oil pump, cpl. ....              | 403021-9            | 1)  |  |
|                | 1             | 1               | Oljepump, kompl. ....   | Oil pump, cpl. ....              | 403962-4            | 2)  |  |
| 1              | 1             | 1               | . Hus, kompl. ....      | . Housing, cpl. ....             | 403022-7            |   |  |
| 2              | 1             | 1               | . . Lager tapp ....     | . . Bearing pin ....             | 44451-3             |   |  |
| 3              | 2             | 2               | . . Bussning ....       | . . Bushing ....                 | 18130-5             |   |  |
| 4              | 1             | 1               | . Lock ....             | . Cover ....                     | 403568-9            |   |  |
| 5              | 1             | 1               | . Sildukshållare ....   | . Strainer element retainer .... | 403464-1            |   |  |
| 6              | 1             | 1               | . Sugrör ....           | . Suction pipe ....              | 403571-3            |   |  |
| 7              | 4             | 4               | . Skruv ....            | . Bolt ....                      | 902253-4            |   |  |
| 8              | 4             | 4               | . Fjäderbricka ....     | . Spring washer ....             | 906987-3            |   |  |
| 9              | 1             | 1               | . Silduk ....           | . Strainer element ....          | 403483-1            |   |  |
| 10             | 1             | 1               | . Låsring ....          | . Lock ring ....                 | 118123-9            |   |  |
| 11             | 1             | 1               | . Kugghjul, kompl. .... | . Gear, cpl. ....                | 419018-7            | 418104-                                       |  |
| 12             | 1             | 1               | . . Låspinne ....       | . . Lock pin ....                | 5 E 5               |   |  |
| 13             | 1             | 1               | . . Drivaxel ....       | . . Drive shaft ....             | 5 E 5               |   |  |
| 14             | 1             | 1               | . Kugghjul ....         | . Gear ....                      | 418103-8            | 403070-                                       |  |
| 15             | 1             | 1               | . Drivhjul ....         | . Drive gear ....                | 403068-0            | 1)  |  |
|                | 1             | 1               | . Drivhjul ....         | . Drive gear ....                | 403884-0            | 2)  |  |
| 16             | 1             | 1               | . Låspinne ....         | . Lock pin ....                  | 951947-1            |   |  |
| 17             | 2             | 2               | Skruv ....              | Bolt ....                        | 902281-5            |   |  |
| 18             | 1             | 1               | Låsbricka ....          | Lock washer ....                 | 403181-1            |   |  |
| 19             | 1             | 1               | Tryckrör ....           | Delivery pipe ....               | 403232-2            | 3)  |  |
|                | 1             | 1               | Tryckrör ....           | Delivery pipe ....               | 418085-7            | 4)  |  |
| 20             | 1             | 1               | Packning ....           | Gasket ....                      | 403122-5            | 3)  |  |
|                | 1             | 1               | Packning ....           | Gasket .....5                    | 418083-2            | 4)  |  |
| 21             | 1             | 1               | Skruv, l = 16 ....      | Bolt, l = 16 ....                | 902253-4            | 3)  |  |
|                | 1             | 1               | Skruv, l = 25 ....      | Bolt, l = 25 ....                | 902256-7            | 4)  |  |
| 22             | 1             | 1               | Fjäderbricka ....       | Spring washer ....               | 906987-3            |   |  |
| 23             | 1             | 1               | Skruv ....              | Bolt ....                        | 902258-3            |   |  |
| 24             | 1             | 1               | Kopparpackning ....     | Copper packing ....              | 11991-7             |   |  |
| 25             | 1             | 1               | Förskruvning ....       | Screw union ....                 | 20139-2             |   |  |
| 26             | 1             | 1               | Oljesump ....           | Oil pan ....                     | 403827-9            | 5)  |  |
| 27             | 1             | 1               | Propp, D = 12 ....      | Plug, D = 12 ....                | 16322-0             | 6)  |  |
|                | 1             | 1               | Propp, D = 3/4" ....    | Plug, D = 3/4" ....              | 190798-9            | 7)  |  |
| 28             | 1             | 1               | Kopparpackning ....     | Copper packing ....              | 11994-1             | 6)  |  |
|                | 1             | 1               | Kopparpackning ....     | Copper packing ....              | 18818-5             | 7)  |  |
| 29             | 1             | 1               | Packning ....           | Gasket .....5                    | 403017-7            |   |  |
| 30             | 18            | 18              | Skruv ....              | Bolt ....                        | 902251-8            |   |  |
| 31             | 15            | 15              | Bricka ....             | Washer ....                      | 11961-0             |   |  |
| 32             | 2             | 2               | Kopparpackning ....     | Copper packing ....              | 11991-7             |   |  |
| 33             | 16            | 16              | Fjäderbricka ....       | Spring washer ....               | 906987-1            |   |  |
| 34             | 1             | 1               | Oljemätsticka ....      | Oil dipstick ....                | 403903-8            |   |  |
| 35             | 1             | 1               | Rör ....                | Pipe ....                        | 405101-7            |   |  |

1. B 16 A t.o.m. motor nr 6120.
2. B 16 A fr.o.m. motor nr 6121. B 16 B.
3. B 16 A t.o.m. motor nr 125015.  
B 16 B t.o.m. motor nr 54640.
4. B 16 A fr.o.m. motor nr 125016.  
B 16 B fr.o.m. motor nr 54641.
5. Lagerföres endast med 3/4" avtappningshål. Se pos 27 och 28.
6. B 16 A t.o.m. motor nr 70563.  
B 16 B t.o.m. motor nr 23255.
7. B 16 A fr.o.m. motor nr 70564.  
B 16 B fr.o.m. motor nr 23256.

1. B 16 A up to engine No. 6120.
2. B 16 A w.e.f. engine No. 6121. B 16 B.
3. B 16 A up to engine No. 125015.  
B 16 B up to engine No. 54640.
4. B 16 A w.e.f. engine No. 125016.  
B 16 B w.e.f. engine No. 54641.
5. Only stock with 3/4" drain aperture. See figs. 27 and 28.
6. B 16 A up to engine No. 70563.  
B 16 B up to engine No. 23255.
7. B 16 A w.e.f. engine No. 70564.  
B 16 B w.e.f. engine No. 23256.