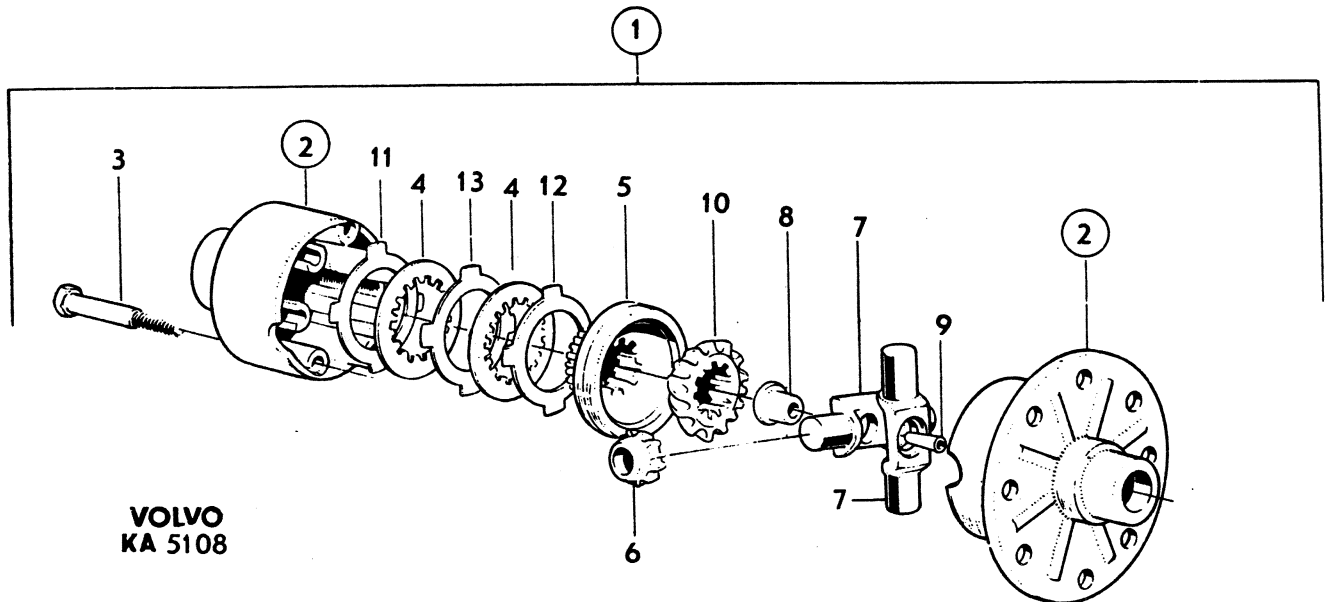
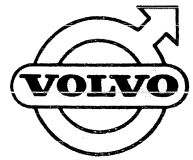




Utgåva Issue	1	DIFFERENTIAL ANTI-SPINN P220	DIFFERENTIAL ANTI-SPINN P220	Grupp Group	4	Sida Page	43
-----------------	---	------------------------------------	------------------------------------	----------------	---	--------------	----





Sida Page		Grupp Group		DIFFERENTIAL ANTI SPINN		DIFFERENTIAL ANTI SPINN		Utgåva Issue	
Pos. Fig.	Antal Qty				Detalj nr Part No	Benämning	Description	Sats/Kit	Anmärkning Notes
1	1	.	.	.	384479-2	DIFFERENTIAL	DIFFERENTIAL		010
2	1HUS 2 HALVORHOUSING 2 HALVES		020
3	8	.	.	.	384511-2	.SKRUVSCREW		030
4	4	.	.	.	633262-1	.LAMELLDISC		040
5	2	.	.	.	384510-4	.LAMELLNAV.DISC HUB		050
6	4	.	.	.	384505-4	.DIFFERENTIALHJULSIDE PINION.		060
7	2	.	.	.	384506-2	.AXELSHAFT.		070
8	2	.	.	.	384508-8	.DISTANSHYLSASPACER SLEEVE.		080
9	1	.	.	.	192243-4	.SPÄNNSTIFTTENSIONER PIN.		090
10	2	.	.	.	384503-9	.DIFFERENTIALHJULSIDE GEAR.		100
11	2	.	.	.	666248-0	.LAMELL, TJ 1,5DISC, TH 1.5		110
12	2	.	.	.	666249-8	.LAMELL, TJ 2,4 PLANDISC, TH 2,4 FLAT		120
13	2	.	.	.	666250-6	.LAMELL, TJ 2,4 KUPIGDISC, TH 2,4 DISHED		130