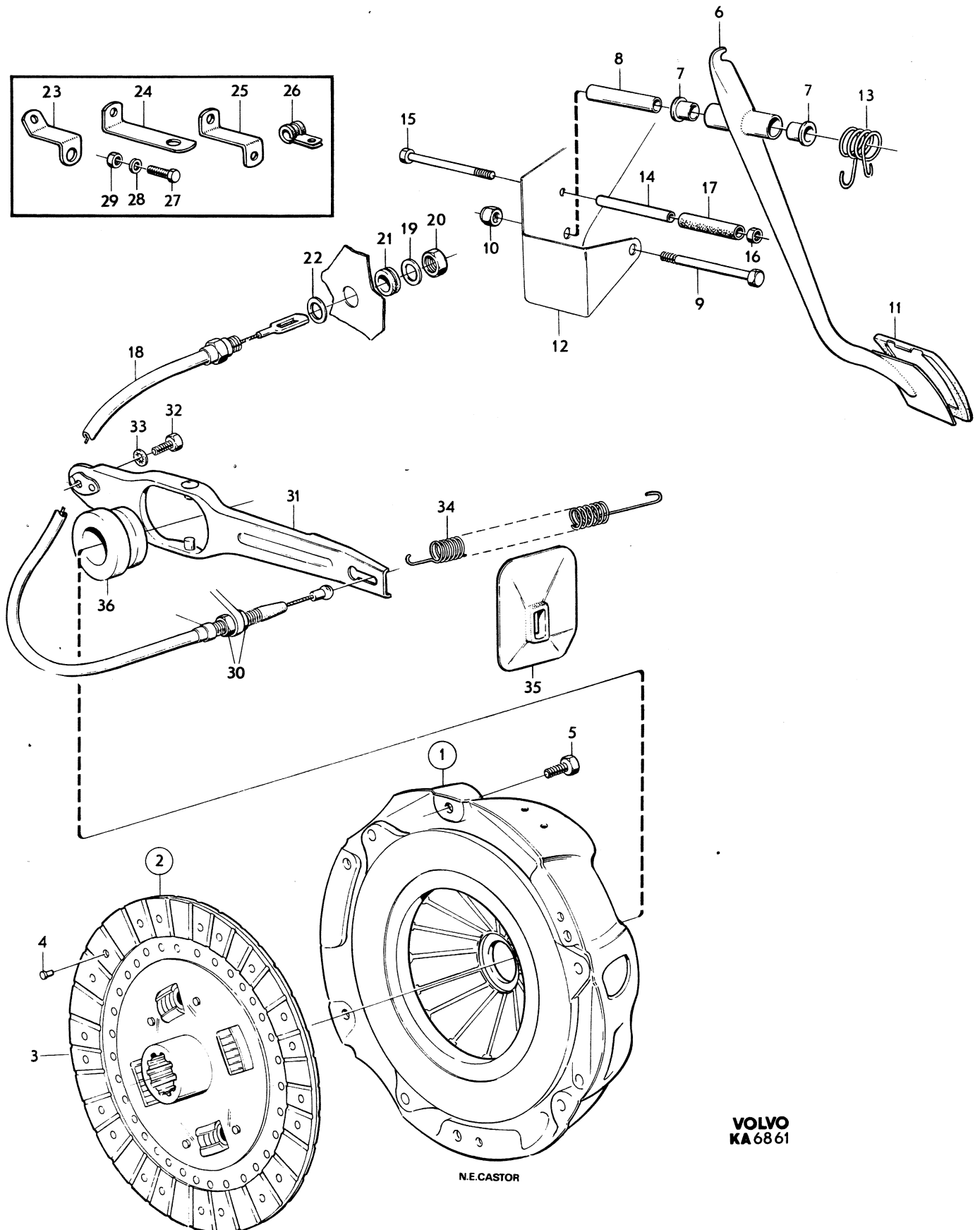
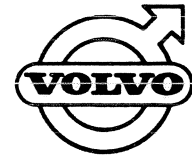


Utgåva Issue	1	KOPPLING, KOPPLINGSMANÖVRERING CLUTCH, CLUTCH LINKAGE	Grupp Group	4	Sida Page	5
-----------------	---	--	----------------	---	--------------	---





Sida Page		Grupp Group		KOPPLING, KOPPLINGSMANÖVRERING CLUTCH, CLUTCH LINKAGE			Utgåva Issue			
Pos. Fig.	Antal Qty				Detalj nr Part No	Benämning	Description	Sats/Kit	Anmärkning Notes	
1	1	.	.	.	419496-5	KOPPLING.	CLUTCH.	2		010
2	1	.	.	.	419876-8	LAMELL.	DISC.	1		025
	1	.	.	.	275921-5	.LAMELLBELAGGSATSCLUTCH FACING KIT.	1		030
3	2BELAGG.FACING.	5	LAGERFÖRES EJ	040
4	16NITRIVET	5	LAGERFÖRES EJ	050
5	6	.	.	.	940135-7	SKRUV	SCREW	0		060
6	1	.	.	.	673574-0	KOPPLINGSPEDAL.	CLUTCH PEDAL.		VST	070
	1	.	.	.	673778-7	KOPPLINGSPEDAL.	CLUTCH PEDAL.		HST	080
7	2	.	.	.	675555-7	BUSSNING.	BUSHING	3		090
8	1	.	.	.	673559-1	AXEL.	SHAFT			100
9	1	.	.	.	955544-2	SKRUV	BOLT.	0		110
10	1	.	.	.	950364-0	MUTTER.	NUT	0		120
11	1	.	.	.	666176-3	GUMMISKONING.	RUBBER PAD.	2	VST	130
	1	.	.	.	653238-6	GUMMISKONING.	RUBBER PAD.	2	HST	140
12	1	.	.	.		PEDALKÅPA	PEDAL CASING.		SF GRUPP 8	150
13	1	.	.	.	673563-3	RETURFJÄDER	RETURN SPRING	3		160
14	1	.	.	.	673560-9	PEDALSTOPP.	PEDAL STOP.			170
15	1	.	.	.	955521-0	SKRUV	SCREW	0		180
16	1	.	.	.	950362-4	MUTTER.	NUT	0		190
17	65MM	.	.	.	952959-5	GUMMISLANG.	RUBBER HOSE			200
18	1	.	.	.	684770-1	KOPPLINGSWIRE	CLUTCH CABLE.	1	VST (675760)	210
	1	.	.	.	684771-9	KOPPLINGSWIRE	CLUTCH CABLE.	1	HST (676466)	220
19	1	.	.	.	955900-6	BRICKA.	WASHER.	0		230
20	1	.	.	.	940152-2	MUTTER.	NUT	0		240
21	1	.	.	.	677056-4	BUSSNING.	BUSHING	3		250
22	1	.	.	.	955902-2	BRICKA.	WASHER.	0		260
23	1	.	.	.	673562-5	KONSOL.	BRACKET		VST	270
24	1	.	.	.	681959-3	KONSOL.	BRACKET		HST	280
25	1	.	.	.	681960-1	KONSOL.	BRACKET		HST	290
26	1	.	.	.	952627-8	KLAMMER	CLAMP	0	VST	300
	2	.	.	.	952627-8	KLAMMER	CLAMP	0	HST	310
27	1	.	.	.	955513-7	SKRUV	SCREW	0	VST	320
	2	.	.	.	955513-7	SKRUV	SCREW	0	HST	330
28	1	.	.	.	955893-3	BRICKA.	WASHER.	0	VST	340
	2	.	.	.	955893-3	BRICKA.	WASHER.	0	HST	350
29	1	.	.	.	950362-4	MUTTER.	NUT	0	VST	360
	2	.	.	.	950362-4	MUTTER.	NUT	0	HST	370
30	2	.	.	.	955859-4	MUTTER.	NUT	0		380
31	1	.	.	.	677431-9	URKOPPLINGSGAFFEL	WITHDRAWAL FORK	2		390
32	1	.	.	.	940135-7	SKRUV	SCREW	0		400
33	1	.	.	.	941907-8	LÅSBRICKA	LOCK WASHER	0		410
34	1	.	.	.	677531-6	RETURFJÄDER	RETURN SPRING	1		420
35	1	.	.	.	677465-7	SKYDD	GUARD	2		430
36	1	.	.	.	380569-4	URTRÄPPNINGSLAGER	WITHDRAWAL BEARING.	1		440