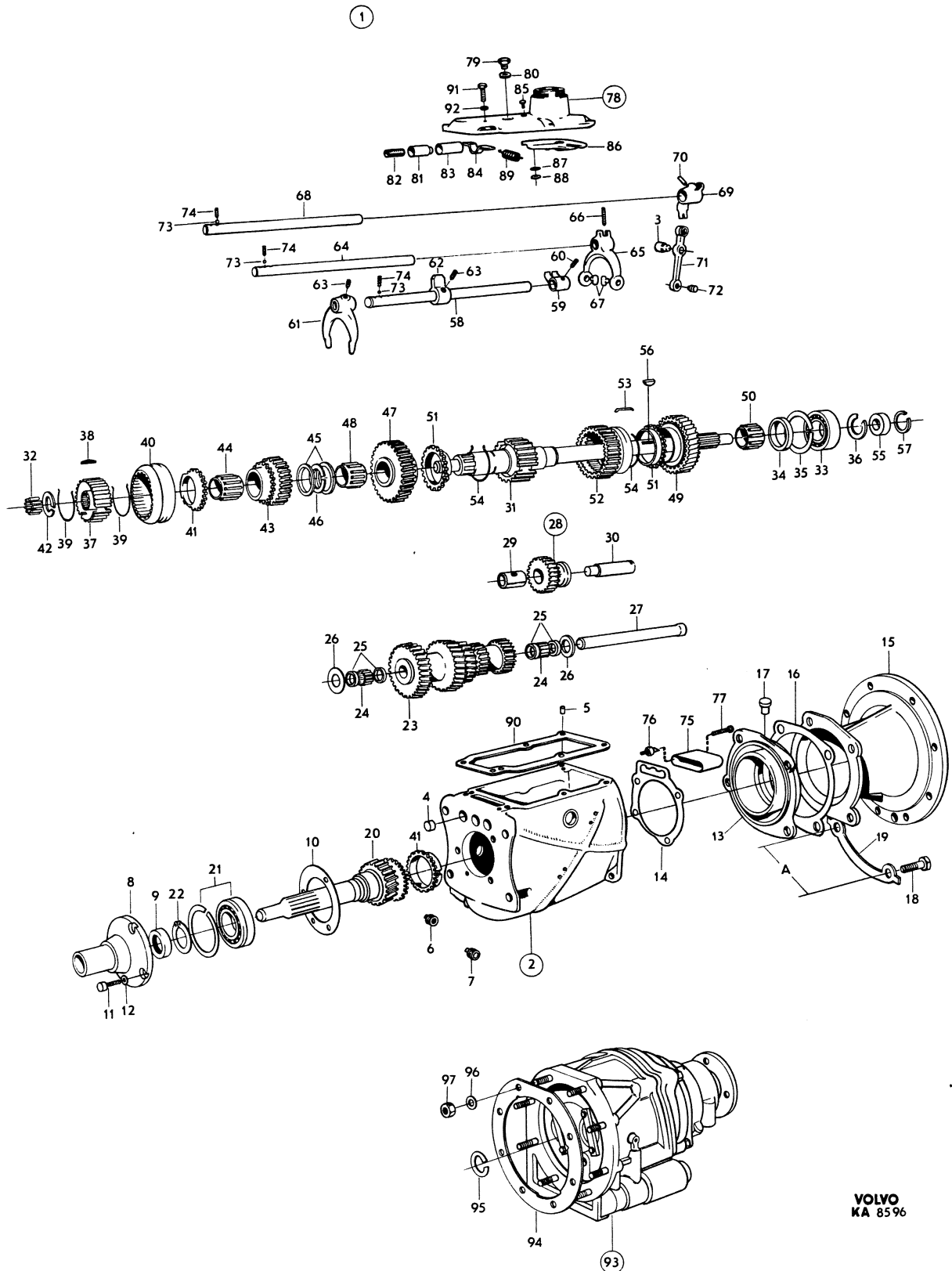
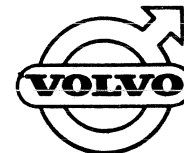


Utgåva Issue	2	VAXFLÅDA M41	GEARBOX M41	Grupp Group	4	Sida Page	15
-----------------	---	-----------------	----------------	----------------	---	--------------	----





Sida Page	14	Grupp Group	4	VAXELLADA M41	GEARBOX M41	Utgåva Issue	2		
Pos. Fig.	Antal Qty			Detalj nr Part No	Benämning	Description	Sats/Kit	Anmärkning Notes	
1	1	.	.	254570-5	VAXELLADA . . . . .	GEARBOX . . . . .		LAGERFÖRES EJ	010
	1	.	.	254581-2	VAXELLADA . . . . .	GEARBOX . . . . .	4		020
2	1	.	.	380655-1	HUS . . . . .	HOUSING . . . . .	4		030
3	1	.	.	656517-0	LAGERTAPP . . . . .	BEARING PIN . . . . .			040
4	3	.	.	191496-9	HATTPLUGG . . . . .	PLUG PIN . . . . .			050
5	2	.	.	191529-7	PINNE . . . . .	PIN . . . . .			060
6	1	.	.	952358-0	PROPP . . . . .	PLUG . . . . .	0		070
7	1	.	.	951901-8	PRCPP . . . . .	PLUG . . . . .	0		080
8	1	.	.	380190-9	LOCK . . . . .	COVER . . . . .	2		090
9	1	.	.	191685-7	TÄTNINGSRING . . . . .	SEAL RING . . . . .	5		100
10	1	.	.	656505-5	PACKNING . . . . .	GASKET . . . . .	5		110
11	3	.	.	192622-9	SKRUV . . . . .	SCREW . . . . .	0		120
12	3	.	.	380381-4	GUMMIRING . . . . .	RUBBER RING . . . . .	5		130
13	1	.	.	380445-7	LOCK . . . . .	COVER . . . . .	3		140
14	1	.	.	380128-9	PACKNING . . . . .	GASKET . . . . .	5		150
15	1	.	.	380570-2	MELLANFLANS . . . . .	SPACER FLANGE . . . . .	3		160
16	1	.	.	380446-5	PACKNING . . . . .	GASKET . . . . .	5		170
17	1	.	.	380211-3	LUFTNINGSNIPPEL . . . . .	AIR VENTING NIPPLE . . . . .			180
18	4	.	.	955535-0	SKRUV . . . . .	SCREW . . . . .	0		190
19	1	.	.	380379-8	LÅSBRICKA . . . . .	LOCK WASHER . . . . .	1	A 55,2	200
	1	.	.	380380-6	LÅSBRICKA . . . . .	LOCK WASHER . . . . .	1	A 68,7	210
20	1	.	.	380136-2	INGÅENDE AXEL . . . . .	INPUT SHAFT . . . . .	3		220
21	1	.	.	11145-0	KULLAGER . . . . .	BALL BEARING . . . . .	1		230
22	1	.	.		LÅSRING, ALT. . . . .	CIRCLIP, ALT. . . . .			240
		.	.	190737-7	TJ 2,0 . . . . .	TH 2.0 . . . . .	2		250
		.	.	190814-4	TJ 2,1 . . . . .	TH 2.1 . . . . .	3		260
		.	.	190815-1	TJ 2,2 . . . . .	TH 2.2 . . . . .	3		270
		.	.	191105-6	TJ 2,3 . . . . .	TH 2.3 . . . . .	3		280
23	1	.	.	380621-3	KUGGHJUL . . . . .	GEAR . . . . .	3		290
24	48	.	.	19567-7	RULLE . . . . .	ROLLER . . . . .	1		300
25	4	.	.	87176-4	DISTANSRING . . . . .	SPACER RING . . . . .	1		310
26	2	.	.	656551-9	TRYCKBRICKA . . . . .	THRUST WASHER . . . . .	1		320
27	1	.	.	380157-8	AXEL . . . . .	SHAFT . . . . .	3		330
28	1	.	.	380613-0	BACKDREV . . . . .	REVERSE GEAR . . . . .	2		340
29	1	.	.		BUSSNING . . . . .	BUSHING . . . . .		LAGERFÖRES EJ	350
30	1	.	.	380615-5	AXEL . . . . .	SHAFT . . . . .	3		360
31	1	.	.	380571-0	HUVUDAXEL . . . . .	MAIN SHAFT . . . . .	3		370
32	14	.	.	181120-7	RULLE . . . . .	ROLLER . . . . .	1		380
33	1	.	.	11024-7	KULLAGER . . . . .	BALL BEARING . . . . .	1		390
34	1	.	.	380175-0	DISTANSRING . . . . .	SPACER RING . . . . .	4		400
35	1	.	.		LÅSRING, ALT. . . . .	CIRCLIP, ALT. . . . .			410
		.	.	914537-6	TJ 2,5 . . . . .	TH 2.5 . . . . .	3		420
		.	.	942339-3	TJ 2,6 . . . . .	TH 2.6 . . . . .	3		430
		.	.	942340-1	TJ 2,7 . . . . .	TH 2.7 . . . . .	3		440



Sida Page		Grupp Group		VAXELLADA M41		GEARBOX M41		Utgåva Issue		
16		4						4		
Pos. Fig.	Antal Qty				Detail nr Part No	Benämning	Description	Sats/ Kit	Anmärkning Notes	
36	1	.	.	.	190684-1	..LASRING, ALT.	..CIRCLIP, ALT.			010
	.	.	.	.	190685-8	...TJ 2,00.	...TH 2.00.	2		020
	.	.	.	.	190686-6	...TJ 2,10.	...TH 2.10.	2		030
	.	.	.	.	190687-4	...TJ 2,15.	...TH 2.15.	2		040
	.	.	.	.	190688-2	...TJ 2,25.	...TH 2.25.	3		050
	.	.	.	.	190688-2	...TJ 2,30.	...TH 2.30.	3		060
37	1	.	.	.	380138-8	..SYNKRONISERINGSNAV.	..SYNCHRONIZING HUB	3		07
38	3	.	.	.	656514-7	..MEDBRINGARE	..LOCATING KEY.	1		080
39	2	.	.	.	86713-5	..FJÄDERRING.	..CLAMPING RING	1		090
40	1	.	.	.	656518-8	..KOPPLINGSHYLSA.	..ENGAGING SLEEVE	2		100
41	2	.	.	.	656138-5	..SYNKRONISERINGSKONA	..SYNCHRONIZING CONE	1		110
42	1	.	.	.	191497-7	..LASRING, ALT.	..CIRCLIP, ALT.			120
	.	.	.	.	191498-5	...TJ 2,0	...TH 2.0	2		130
	.	.	.	.	191498-5	...TJ 2,1	...TH 2.1	2		140
	.	.	.	.	191499-3	...TJ 2,2	...TH 2.2	2		150
43	1	.	.	.	380619-7	..KUGGHJUL, 3-AN.	..GEAR, 3 RD.	3	VXL 254570	160
	1	.	.	.	380761-7	..KUGGHJUL, 3-AN.	..GEAR, 3 RD.	3	VXL 254581	170
44	1	.	.	.	181331-0	..NALLAGER.	..NEEDLE BEARING.		VXL 254581	180
45	2	.	.	.	380143-8	..DISTANSRING	..SPACER RING	3		190
46	1	.	.	.	191493-6	..LASRING, ALT.	..CIRCLIP, ALT.			200
	.	.	.	.	191494-4	...TJ 2,55.	...TH 2.55.	2		210
	.	.	.	.	191494-4	...TJ 2,65.	...TH 2.65.	2		220
	.	.	.	.	191495-1	...TJ 2,75.	...TH 2.75.	2		230
47	1	.	.	.	380174-3	..KUGGHJUL, 2-AN.	..GEAR, 2 ND.	3	VXL 254570	240
	1	.	.	.	380218-8	..KUGGHJUL, 2-AN.	..GEAR, 2 ND.	3	VXL 254581	250
48	1	.	.	.	181330-2	..NALLAGER.	..NEEDLE BEARING.		VXL 254581	260
49	1	.	.	.	380150-3	..KUGGHJUL, 1-AN.	..GEAR, 1 ST.	3	VXL 254570	270
	1	.	.	.	380217-0	..KUGGHJUL, 1-AN.	..GEAR, 1 ST.	3	VXL 254581	280
50	1	.	.	.	181330-2	..NALLAGER.	..NEEDLE BEARING.		VXL 254581	290
51	2	.	.	.	656138-5	..SYNKRONISERINGSKONA	..SYNCHRONIZING CONE	1		300
52	1	.	.	.	380142-0	..KOPPLINGSHYLSA.	..ENGAGING SLEEVE	3		310
53	3	.	.	.	380141-2	..MEDBRINGARE	..LOCATING KEY.	1		320
54	2	.	.	.	86713-5	..FJÄDERRING.	..CLAMPING RING	1		330
55	1	.	.	.	380652-8	..KAM	..CAM	3		340
56	1	.	.	.	191882-0	..KIL	..KEY	2		350
57	1	.	.	.	380653-6	..LASRING	..CIRCLIP	3		360
58	1	.	.	.	380240-2	..SKIFTAXEL, 3-AN, 4-AN	..SHIFT RAIL, 3 RD, 4 TH.	4		370
59	1	.	.	.	380133-9	..MEDBRINGARE	..COMPANION FLANGE.	4		380
60	1	.	.	.	656553-5	..LÅSSKRUV.	..LOCK SCREW.	2		390
61	1	.	.	.	656537-8	..SKIFTGAFFEL	..SHIFT FORK.	2		400
62	1	.	.	.	380648-6	..MEDBRINGARE	..COMPANION FLANGE.	4	(380220)	410
63	2	.	.	.	656553-5	..LÅSSKRUV.	..LOCK SCREW.	2		420

X



Sida Page		Grupp Group		VÄXELLÅDA M41				GEARBOX M41		Utgåva Issue	
18		4								3	
Pos. Fig.	Antal Qty				Detalj nr Part No	Benämning	Description	Sats/Kit	Anmärkning Notes		
64	1	.	.	.	380131-3	..SKIFTAXEL, 1-AN, 2-AN	..SHIFT RAIL, 1 ST 2 ND	4		010	
65	1	.	.	.	380132-1	..SKIFTGAFFEL	..SHIFT FORK	4		020	
66	1	.	.	.	951965-3	..SPÄNNSTIFT	..TENSIONER PIN	0		030	
67	2	.	.	.	656549-3	..MEDBRINGARTAPP	..COMPANION PIN	2		040	
68	1	.	.	.	380231-1	..SKIFTAXEL, BACK	..SHIFT RAIL REVERSE	4		050	
69	1	.	.	.	380134-7	..SKIFTGAFFEL	..SHIFT FORK	3		060	
70	1	.	.	.	656553-5	..LÅSSKRUV	..LOCK SCREW	2		070	
71	1	.	.	.	380622-1	..HÅVARM	..LEVER	4		080	
72	1	.	.	.	656549-3	..MEDBRINGARTAPP	..COMPANION PIN	2		090	
73	3	.	.	.	67089-3	..KULA	..BALL	2		100	
74	3	.	.	.	87972-6	..FJÄDER	..SPRING	2		110	
75	1	.	.	.	380368-1	..SKYDDSKÅPA	..CASING	3	VXL 254570	120	
	1	.	.	.	380135-4	..SKYDDSKÅPA	..CASING	3	VXL 254581	130	
76	1	.	.	.	380360-8	..BACKLJUSKONTAKT	..BACK-UP LAMP CONTACT	1		140	
77	2	.	.	.	950256-8	..SKRUV	..SCREW	0		150	
78	1	.	.	.	380373-1	..LÖCK	..COVER	2		160	
79	2	.	.	.	191900-0	..PRÖPP	..PLUG	0		170	
80	2	.	.	.	11996-6	..PACKNING	..PACKING	5		180	
81	1	.	.	.	656575-8	..SPÄRRTAPP	..INTERLOCK PIN	4		190	
82	1	.	.	.	656576-6	..FJÄDER	..SPRING	3		200	
83	1	.	.	.	656574-1	..BUSSNING	..BUSHING	4		210	
84	1	.	.	.	656547-7	..ÖVERFALL	..CAP	4		220	
85	2	.	.	.	952517-1	..NIT	..RIVET	0		230	
86	1	.	.	.	656542-8	..SPÄRRPLATTA	..INTERLOCK PLATE	2		240	
87	2	.	.	.	18696-5	..BRICKA	..WASHER	0		250	
88	2	.	.	.	951669-1	..SPÄRRYTARE	..CIRCLIP	0		260	
89	1	.	.	.	656544-4	..FJÄDER	..SPRING	3		270	
90	1	.	.	.	381107-2	..PACKNING	..GASKET	5	(380161)	280	
91	6	.	.	.	940135-7	..SKRUV	..SCREW	0		290	
92	6	.	.	.	170819-3	..FJÄDERBRICKA	..SPRING WASHER	0		300	
93	1	.	.	.	254561-4	..ÖVERVÅXEL	..OVERDRIVE	4		310	
	.	.	.	.		..DET SE SIDA 20	..COMPONENTS SEE PAGE 20			320	
94	1	.	.	.	380618-9	..PACKNING	..PACKING	1		330	
95	1	.	.	.	380654-4	..LÅSRING	..CIRCLIP	3		340	
96	8	.	.	.	955920-4	..BRICKA	..WASHER	0		350	
97	8	.	.	.	955846-1	..MUTTER	..NUT	0		360	
	1	.	.	.	275416-6	..PACKNINGSSATS	..GASKET KIT	1		370	