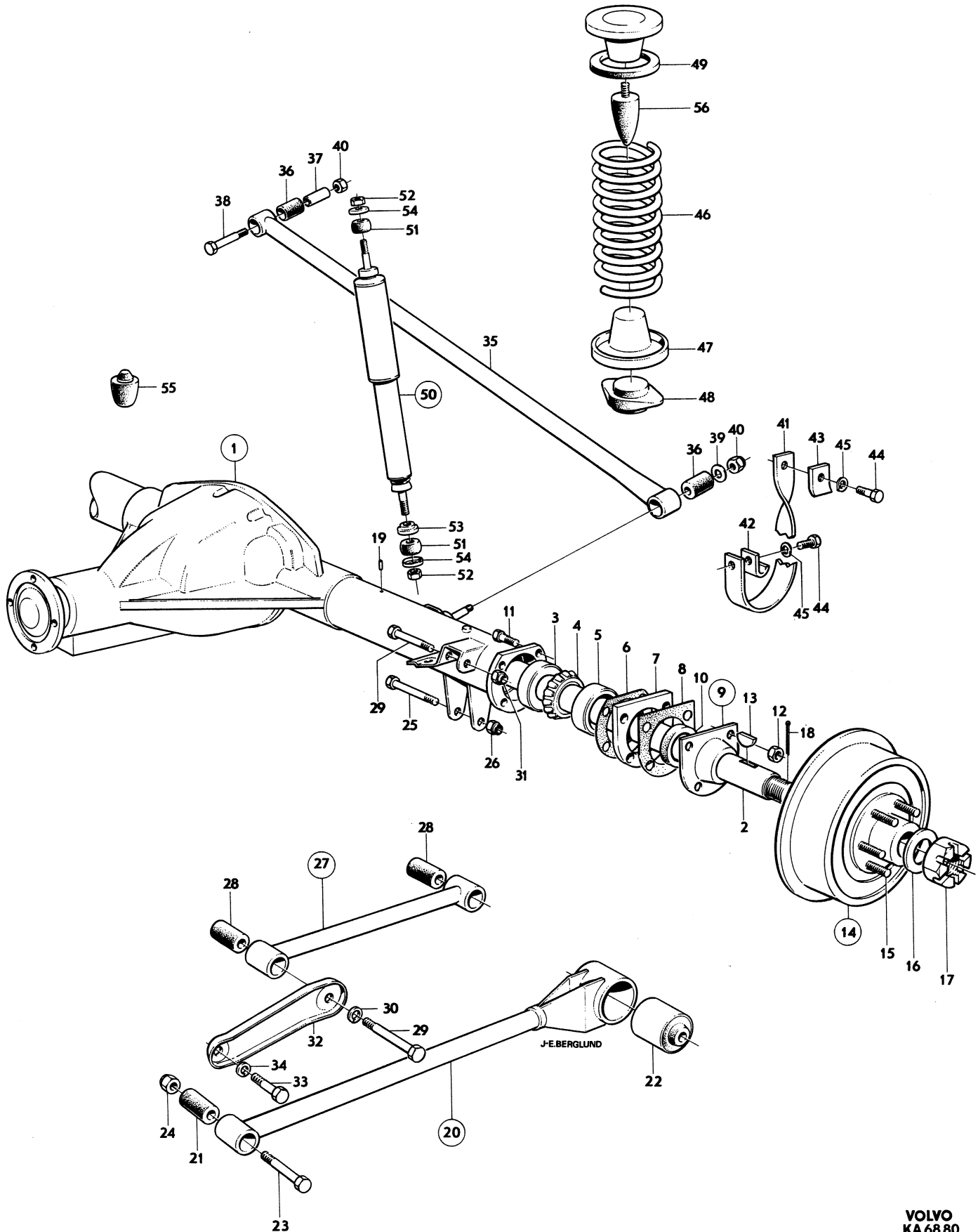


Utgåva Issue	1	BAKAXEL UPPHÄNGNING P130	REAR AXLE MOUNTINGS P130	Grupp Group	4	Sida Page	31
-----------------	---	--------------------------------	--------------------------------	----------------	---	--------------	----





Sida Page		Grupp Group		BAKAXEL UPPHÄNGNING P130		REAR AXLE MOUNTINGS P130		Utgåva Issue		
30		4						3		
Pos. Fig.	Antal Qty				Detalj nr Part No	Benämning	Description	Sats/Kit	Anmärkning Notes	
1	1	.	.	.	255490-5	BAKAXEL, UTV 4,10/1	REAR AXLE, RATIO 4,10/1		M40	010
	1	.	.	.	255600-9	BAKAXEL,UTV 4,30/1.	REAR AXLE,RATIO 4,30/1.		M41 (255655)	030
DET SE SIDA 38COMPONENTS SEE PAGE 38			040
2	2	.	.	.	89679-5	DRIVAXEL.	DRIVE SHAFT	3		050
3	2	.	.	.	192550-2	TÄTNINGSRING.	SEAL RING	1		060
4	2	.	.	.	181217-1	RULLAGER, INNERRING	ROLLER BEARING CONE	1		070
5	2	.	.	.	181189-2	RULLAGER, YTERRING	ROLLER BEARING CUP.	1		080
6		JUSTERMELLANLAGG.	SHIM.			090
	ERF	.	.	.	86891-9	.TJ 0,10.TH 0.10.	1		100
	ERF	.	.	.	86890-1	.TJ 0,35.TH 0.35.	1		110
	ERF	.	.	.	86889-3	.TJ 1,00.TH 1.00.	2		120
	ERF	.	.	.	651794-0	.TJ 1,50.TH 1.50.	2		130
7	2	.	.	.	673789-4	DISTANSBRICKA	SPACER WASHER	4	M40	140
	2	.	.	.	87693-8	DISTANSBRICKA	SPACER WASHER	4	M41	145
8	4	.	.	.	673788-6	PACKNING.	GASKET.	1		150
9	2	.	.	.	673791-0	OLJETÄTNING	OIL SEAL.	1		160
10	2	.	.	.	19246-8	.FILTRINGFELT RING.	1		170
11	8	.	.	.	955676-2	SKRUV	BOLT.	0		180
12	8	.	.	.	955848-7	MUTTER.	NUT	0		190
13	2	.	.	.	160553-4	KIL	KEY	0		200
14	2	.	.	.	673797-7	NAV	HUB	3		210
15	10	.	.	.	654490-2	.HJULBULTWHEEL STUD	2		220
16	2	.	.	.	120267-0	BRICKA.	WASHER.	0		230
17	2	.	.	.	153031-0	MUTTER.	NUT	0		240
18	2	.	.	.	191174-2	SAXPINNE.	SPLIT PIN	0		250
19	1	.	.	.	662014-0	URLUFTNINGSNIPPEL	AIR VENTING NIPPLE.			260
20	2	.	.	.	672609-5	MOMENTSTAG.	TORQUE ROD.	3	B20A	270
	2	.	.	.	672610-3	MOMENTSTAG.	TORQUE ROD.	3	B20B	280
21	2	.	.	.	662797-0	.GUMMIBUSSNING.RUBBER BUSHING	1		290
22	2	.	.	.	676914-5	.BUSSNINGBUSHING.	2	B20A	300
	2	.	.	.	678887-1	.BUSSNINGBUSHING.	2	B20B	310
23	2	.	.	.	955569-9	SKRUV	BOLT.	0		320
24	2	.	.	.	950356-6	MUTTER.	NUT	0		330
25	2	.	.	.	941858-3	SKRUV	BOLT.	0		340
26	2	.	.	.	950377-2	MUTTER.	NUT	0		350
27	2	.	.	.	672616-0	BARSTAG	SUPPORT ARM	3		360
28	4	.	.	.	678790-7	.GUMMIBUSSNING.RUBBER BUSHING	1		370
29	4	.	.	.	955569-9	SKRUV	BOLT.	0		380
30	2	.	.	.	940280-1	LÄSBRICKA	LOCK WASHER	0		390
31	2	.	.	.	950356-6	MUTTER.	NUT	0		400
32	2	.	.	.	672031-2	KONSCL.	BRACKET			410
33	2	.	.	.	955560-8	SKRUV	SCREW	0		420
34	2	.	.	.	940280-1	LÄSBRICKA	LOCK WASHER	0		430



Sida Page	32	Grupp Group	4	BAKAXEL UPPHÄNGNING P130	REAR AXLE MOUNTINGS P130	Utgåva Issue	2		
Pos. Fig.	Antal Qty				Detalj nr Part No	Benämning	Description	Sats/Kit	Anmärkning Notes
35	1	.	.	.	653260-0	TVARSTAG	ANTI-ROLL BAR	3	
36	2	.	.	.	87033-7	GUMMIBUSSNING	RUBBER BUSHING	1	
37	1	.	.	.	653361-6	DISTANSHYLSA	SPACER SLEEVE	2	
38	1	.	.	.	955565-7	SKRUV	BOLT	0	
39	1	.	.	.	120802-4	BRICKA	WASHER	0	
40	2	.	.	.	950366-5	MUTTER	NUT	0	
41	2	.	.	.	672251-6	CAMPARBAND	CAMPER BAND	1	
42	2	.	.	.	671939-7	BRICKA	WASHER	2	
43	2	.	.	.	89818-9	BRICKA	WASHER	2	
44	4	.	.	.	940115-9	SKRUV	SCREW	0	
45	2	.	.	.	942336-9	LÄSBRICKA	LOCK WASHER	0	
46	2	.	.	.	672214-4	FJÄDER	SPRING	2	
47	2	.	.	.	659154-9	FJÄDERSÄTE	SPRING SEAT	2	
48	2	.	.	.	667686-0	GUMMIKUCDE	RUBBER CUSHION	3	
49	2	.	.	.	659325-5	GUMMIMELLANLÄGG	RUBBER SPACER	3	
50	2	.	.	.	276480-1	STÖTDÄMPARSATS	SHOCK ABSORBER KIT	1	
	2	.	.	.		STÖTDÄMPARE	SHOCK ABSORBER		LAGERFÖRES EJ
51	8	.	.	.	670129-6	GUMMIBUSSNING	RUBBER BUSHING	1	
52	4	.	.	.	955848-7	MUTTER	NUT	0	
53	2	.	.	.	89328-9	BRICKA	WASHER	1	
54	8	.	.	.	87741-5	BRICKA	WASHER	1	
55	1	.	.	.	83107-3	GUMMIBUFFERT	RUBBER CUSHION	3	
56	2	.	.	.	83108-1	GUMMIBUFFERT	RUBBER CUSHION	3	

010
020
030
040
050
060
070
080
090
100
110
120
130
140
150
160
170
180
190
200
210
220
230