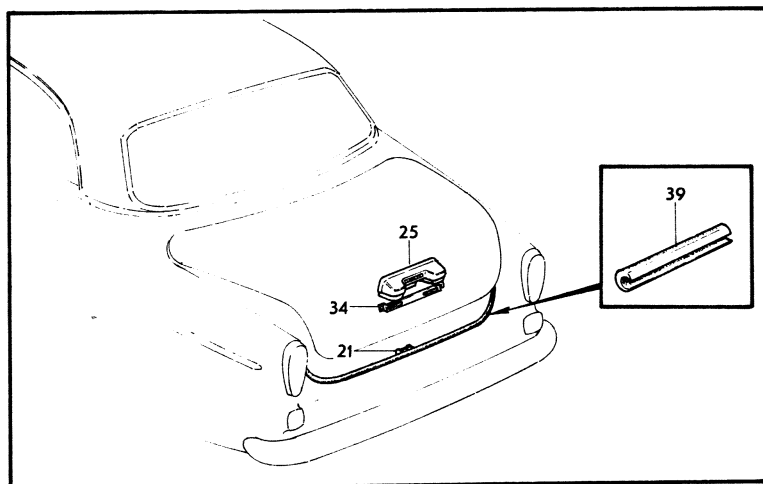
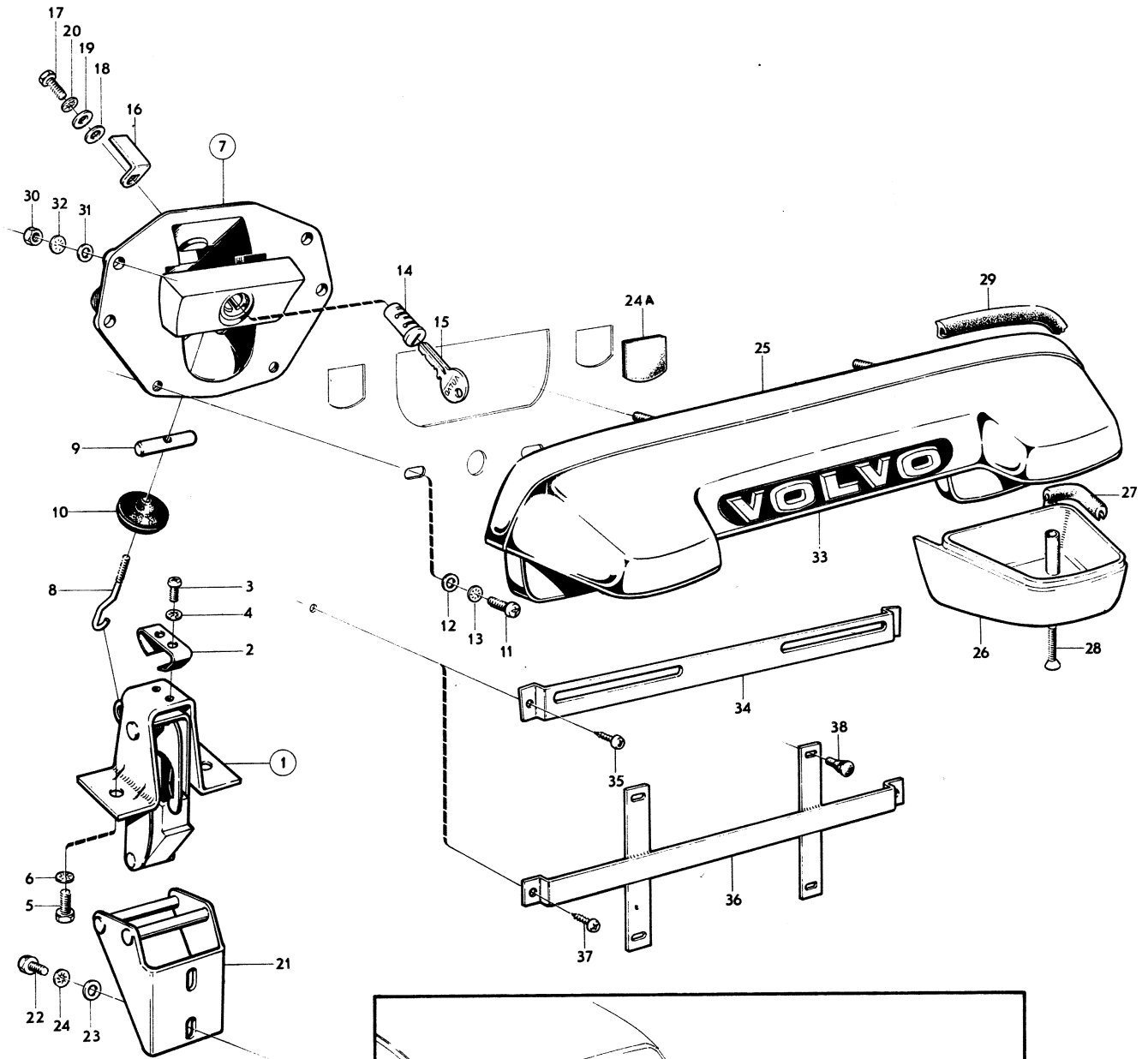
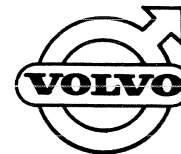




| | | | | | | | |
|-----------------|---|-------------------------------|---|----------------|----|--------------|----|
| Utgåva Issue | 1 | DETALJER FÖR BAKLUCKA P130 | COMPONENTS FOR LUGGAGE COMPARTMENT LID P130 | Grupp Group | 8A | Sida Page | 31 |
|-----------------|---|-------------------------------|---|----------------|----|--------------|----|





| Sida Page | 30 | Grupp Group | 8A | DETALJER FÖR BAKLUCKA PT30 | COMPONENTS FOR LUGGAGE COMPARTMENT LID PT30 | Utgåva Issue | 3 | | |
|--------------|-----------|----------------|----|-------------------------------|---|----------------------------------|-----------------------------------|----------|---------------------|
| Pos. Fig. | Antal Qty | | | | Detalj nr Part No | Benämning | Description | Sats/Kit | Anmärkning Notes |
| 1 | 1 | . | . | . | 663891-0 | LÄS | LOCK. | 3 | |
| 2 | 1 | . | . | . | 658829-7 | .STYRFJÄDER | .GUIDE SPRING | | |
| 3 | 2 | . | . | . | 950020-8 | .SKRUV. | .SCREW. | 0 | |
| 4 | 2 | . | . | . | 955946-9 | .LÄSBRICKA. | .LOCK WASHER. | 0 | |
| 5 | 2 | . | . | . | 940113-4 | SKRUV | SCREW | 0 | TID UTF |
| | 2 | . | . | . | 942402-9 | FLÄNSSKRUV. | FLANGED SCREW | 0 | SEN UTF |
| 6 | 2 | . | . | . | 955949-3 | LÄSBRICKA | LOCK WASHER | 0 | TID UTF |
| 7 | 1 | . | . | . | 668915-2 | HANDTAG | HANDLE. | 3 | |
| 8 | 1 | . | . | . | 663889-4 | .LÄNK | .LINK | 2 | |
| 9 | 1 | . | . | . | 663888-6 | .AXEL | .SHAFT. | 2 | |
| 10 | 1 | . | . | . | 659006-1 | .GUMMIBUSSNING. | .RUBBER BUSHING | 3 | |
| 11 | 2 | . | . | . | 950020-8 | SKRUV | SCREW | 0 | |
| 12 | 2 | . | . | . | 192290-5 | BRICKA. | WASHER. | 0 | |
| 13 | 2 | . | . | . | 955946-9 | LÄSBRICKA | LOCK WASHER | 0 | |
| 14 | 1 | . | . | . | 666229-0 | LÄSCYLINDER MED 2 NYCKLAR | LOCK CYLINDER WITH 2 KEYS | 1 1 | |
| 15 | ERF | . | . | . | 660137-1 | NYCKEL, KODBETECKNING FP AMNE | KEY, CODE DESIGNATION FP BLANK | 1 | |
| | ERF | . | . | . | 671319-2 | NYCKEL, KODBETECKNING FS AMNE | KEY, CODE DESIGNATION FS BLANK | 1 | |
| 16 | 1 | . | . | . | 658888-3 | SPÄRR | CATCH | 2 | |
| 17 | 1 | . | . | . | 191945-5 | SKRUV | SCREW | 0 | |
| 18 | 1 | . | . | . | 120164-9 | BRICKA. | WASHER. | 0 | |
| 19 | 1 | . | . | . | 960138-6 | BRICKA. | WASHER. | 0 | |
| 20 | 1 | . | . | . | 955946-9 | LÄSBRICKA | LOCK WASHER | 0 | |
| 21 | 1 | . | . | . | 658821-4 | LÄSBLECK. | STRIKER PLATE | 3 | |
| 22 | 2 | . | . | . | 940113-4 | SKRUV | SCREW | 0 | TID UTF |
| | 2 | . | . | . | 942402-9 | FLÄNSSKRUV. | FLANGED SCREW | 0 | SEN UTF |
| 23 | 2 | . | . | . | 955894-1 | BRICKA. | WASHER. | 0 | TID UTF |
| 24 | 2 | . | . | . | 955949-3 | LÄSBRICKA | LOCK WASHER | 0 | TID UTF |
| 24A | 2 | . | . | . | 669081-2 | PACKNING. | GASKET. | 2 21 | |
| 25 | 1 | . | . | . | 668971-5 | HUS | HOUSING | 2 | |
| 26 | 2 | . | . | . | 668979-8 | GLAS. | LENS. | 1 | |
| 27 | 200 | . | . | . | 669056-4 | TÄTNINGSLIST. | SEAL MOULDING | 3 | |
| 28 | 2 | . | . | . | 192610-4 | SKRUV | SCREW | 0 | |
| 29 | 330 | . | . | . | 669071-3 | TÄTNINGSLIST. | SEAL MOULDING | 3 | |
| 30 | 4 | . | . | . | 955825-5 | MUTTER. | NUT | 0 | |
| 31 | 4 | . | . | . | 669124-0 | BRICKA. | WASHER. | 3 | |
| 32 | 4 | . | . | . | 940155-5 | LÄSBRICKA | LOCK WASHER | 0 | |
| 33 | 1 | . | . | . | 663060-2 | EMBLEM. | EMBLEM. | 2 | |
| | . | . | . | . | . | LAMPHÄLLARE | BULB SOCKET | | SE GRUPP 3 |
| 34 | 1 | . | . | . | 679161-0 | HÄLLARE | RETAINER. | 3 | EXCL USA, CAN |
| 35 | 2 | . | . | . | 955137-5 | SKRUV | SCREW | 0 | EXCL USA, CAN |
| 36 | 1 | . | . | . | 672813-3 | HÄLLARE | RETAINER. | | USA, CAN |
| 37 | 2 | . | . | . | 955137-5 | SKRUV | SCREW | | USA, CAN |
| 38 | 2 | . | . | . | 676911-1 | GUMMIKNAPP. | RUBBER BUTTON | | USA, CAN |
| 39 | 1 | . | . | . | 671687-2 | TÄTNINGSLIST. | SEAL MOULDING | 1 | |

010
020
030
040
050
051
060
070
080
090
100
110
120
130
140
150
160
170
180
190
200
210
220
230
240
250
260
265
270
280
290
300
310
320
330
340
350
360
370
380
390
400
410
420
430
440
450