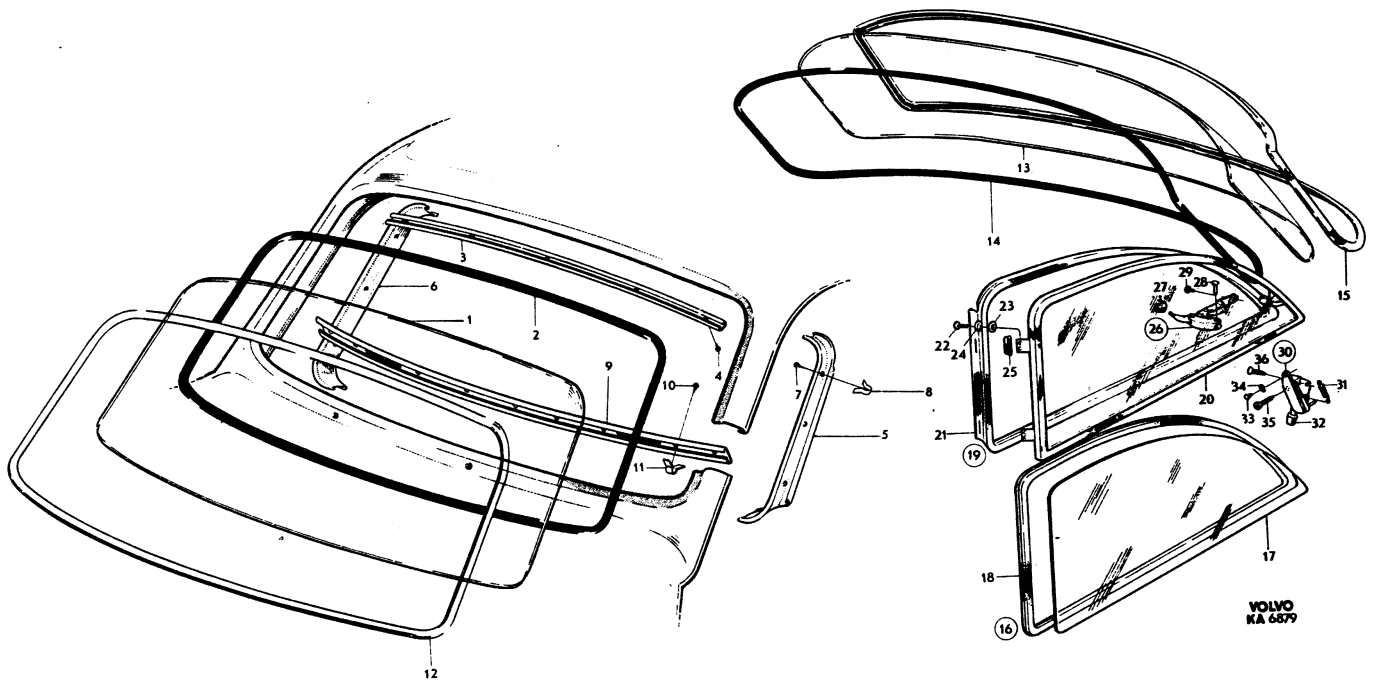
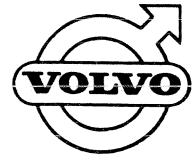


Utgåva Issue	1	VINDRUTA, BAKRUTA BAKRE SIDORUTA P130	WINDSCREEN, REAR WINDOW REAR QUARTER WINDOW P130	Grupp Group	8A	Sida Page	33
-----------------	---	---	--	----------------	----	--------------	----





Sida Page		Grupp Group		VINDRUTA, BAKRUTA BAKRE SIDCRUTA P130		WINDSCREEN, REAR WINDOW REAR QUARTER WINDOW P130		Utgåva Issue		
32		8A						4		
Pos. Fig.	Antal Qty				Detalj nr Part No	Benämning	Description	Sats/ Kit	Anmärkning Notes	
1	1	.	.	.	673140-0	VINDRUTA	WINDSCREEN.	1 3		010
	1	.	.	.	671889-4	VINDRUTA	WINDSCREEN.	1 4,6		020
	1	.	.	.	671890-2	VINDRUTA	WINDSCREEN.	1 5,6		030
2	1	.	.	.	673318-2	TÄTNINGSLIST	SEAL MOULDING	2		040
3	1	.	.	.	673153-3	LIST	MOULDING.			050
4	5	.	.	.	943051-3	SKRUV	SCREW	0		060
5	1	.	.	.	654367-2	LIST, V	STRIP, L.			070
6	1	.	.	.	654368-0	LIST, H	STRIP, R.			080
7	6	.	.	.	943051-3	SKRUV	SCREW	0		090
8	2	.	.	.	656319-1	DISTANSBLECK, ÖVRE	SPACER, UPPER			100
	4	.	.	.	656320-9	DISTANSBLECK, UNDER	SPACER, LOWER			110
9	1	.	.	.	654370-6	LIST, UNDER	STRIP LOWER			120
10	9	.	.	.	943051-3	SKRUV	SCREW	0		130
11	6	.	.	.	656784-6	DISTANSBLECK	SPACER.			140
12		PRYDNADSLIST	TRIM MOULDING		SE SIDA 38	150
13	1	.	.	.	666809-9	BAKRUTA	REAR WINDOW	3		160
	1	.	.	.	673712-6	BAKRUTA, ELUPPVÄRM	REAR WINDOW, HEATED	3 6		161
14	1	.	.	.	671764-9	TÄTNINGSLIST	SEAL MOULDING	3		170
15		PRYDNADSLIST	TRIM MOULDING		SE SIDA 38	180
16		SIDORUTA, BAKRE	REAR QUARTER WINDOW		ALT 1 LAGERFÖRES EJ	190
17	2	.	.	.	656990-9	.GLASGLASS.	3		200
18	1	.	.	.	672111-2	.TÄTNINGSLIST, V.SEAL MOULDING, L	3		210
	1	.	.	.	672112-0	.TÄTNINGSLIST, H.SEAL MOULDING, R	3		220
19		SIDORUTA, BAKRE	REAR QUARTER WINDOW.		ALT 2 LAGERFÖRES EJ	230
20	1	.	.	.	656988-3	.VENTILATIONSFÖNSTER, VVENTILATOR WINDOW, L	3 8		240
	1	.	.	.	673491-7	.VENTILATIONSFÖNSTER, VVENTILATOR WINDOW, L	3 9)		250
	1	.	.	.	656989-1	.VENTILATIONSFÖNSTER, HVENTILATOR WINDOW, R	3 8		260
	1	.	.	.	673492-5	.VENTILATIONSFÖNSTER, HVENTILATOR WINDOW, R	3 9)		270
21	1	.	.	.	659137-4	.TÄTNINGSLIST, V.SEAL MOULDING, L	3		280
	1	.	.	.	659138-2	.TÄTNINGSLIST, H.SEAL MOULDING, R	3		290
22	8	.	.	.	950020-8	.SKRUVSCREW.	0		300
23	8	.	.	.	940090-4	.BRICKAWASHER	0		310
24	8	.	.	.	955946-9	.LÅSBRICKALOCK WASHER.	0		320
25	4	.	.	.	659807-2	.TÄTNINGSEAL	3		330
26	1	.	.	.	667837-9	.LÅS, VLOCK, L.	3 8		340
	1	.	.	.	667838-7	.LÅS, HLOCK, R.	3 8		350
27	2	.	.	.	667830-4	.KNAPPBUTTON.	3		360
28	2	.	.	.	657750-6	.PINNEPIN.	2 8		370
29	4	.	.	.	191380-5	.SKRUVSCREW.	0 8		380
30	1	.	.	.	673487-5	.LÅS, VLOCK, L.	3 9)		390
	1	.	.	.	673488-3	.LÅS, HLOCK, R.	3 9)		400
31	1	.	.	.	673495-8	.FJÄDERSPRING.	2		410
32	1	.	.	.	673490-9	.HANDTAGHANDLE.	3		420
33	2	.	.	.	673481-8	.NITRIVET.	3 9)		430
34	2	.	.	.	941906-0	.BRICKAWASHER	0 9)		440
35	2	.	.	.	955168-0	.SKRUVSCREW.	0 9)		450
36	2	.	.	.	191380-5	.SKRUVSCREW.	0 9)		460