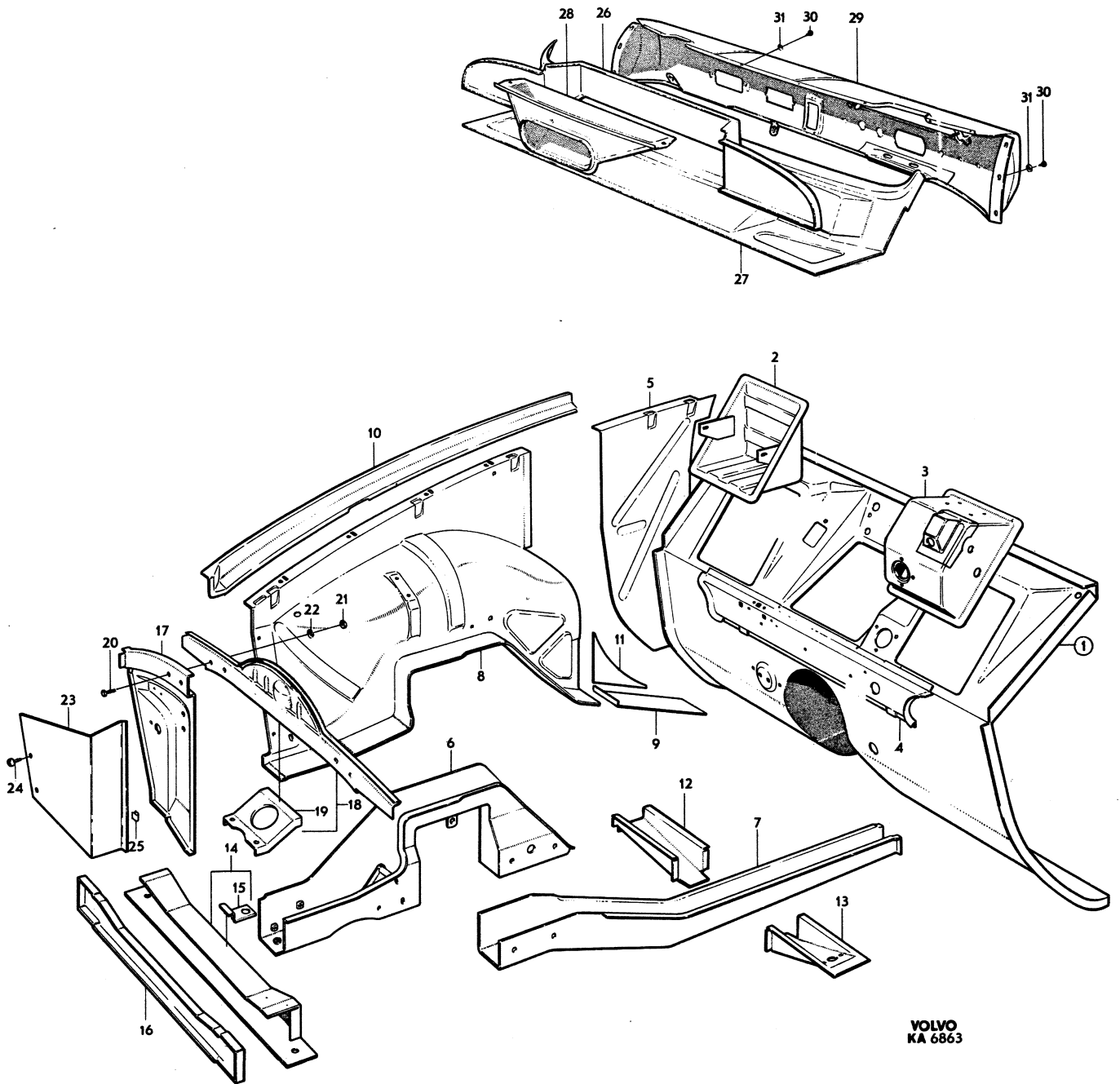
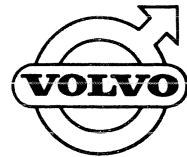


|                 |   |                     |                      |                |    |              |   |
|-----------------|---|---------------------|----------------------|----------------|----|--------------|---|
| Utgåva<br>Issue | 1 | TORPEDPARTI<br>P220 | CCWL SECTION<br>P220 | Grupp<br>Group | 88 | Sida<br>Page | 9 |
|-----------------|---|---------------------|----------------------|----------------|----|--------------|---|



VOLVO  
KA 6863



| Sida<br>Page |           | Grupp<br>Group |   | TORPEDPARTI<br>P220 |                      | COWL SECTION<br>P220            |                                 | Utgåva<br>Issue |                     |
|--------------|-----------|----------------|---|---------------------|----------------------|---------------------------------|---------------------------------|-----------------|---------------------|
| Pos.<br>Fig. | Antal Qty |                |   |                     | Detalj nr<br>Part No | Benämning                       | Description                     | Sats/Kit        | Anmärkning<br>Notes |
| 1            | 1         | .              | . | .                   | 662604-8             | MELLANBRÅDA . . . . .           | FIREWALL. . . . .               |                 | 010                 |
| 2            | 1         | .              | . | .                   | 661309-5             | .BATTERIHULLA . . . . .         | .BATTERY BRACKET. . . . .       |                 | 020                 |
| 3            | 1         | .              | . | .                   | 673571-6             | .PEDALKÅPA. . . . .             | .PEDAL CASING . . . . .         |                 | 030                 |
| 4            | 1         | .              | . | .                   | 671362-2             | .BALK . . . . .                 | .MEMBER . . . . .               |                 | 040                 |
|              | 1         | .              | . | .                   | 653418-4             | GAVEL, V. . . . .               | END, L. . . . .                 |                 | 050                 |
| 5            | 1         | .              | . | .                   | 653419-2             | GAVEL, H. . . . .               | END, R. . . . .                 |                 | 060                 |
|              | 1         | .              | . | .                   | 666567-3             | HJULHUS, V. . . . .             | WHEEL VALANCE, L. . . . .       | 3               | 070                 |
|              | 1         | .              | . | .                   | 666568-1             | HJULHUS, H. . . . .             | WHEEL VALANCE, R. . . . .       | 3               | 080                 |
|              | 1         | .              | . | .                   | 667098-8             | .SIDOBALK, V. . . . .           | .SIDE MEMBER, L. . . . .        | 4               | 090                 |
| 6            | 1         | .              | . | .                   | 667099-6             | .SIDOBALK, H. . . . .           | .SIDE MEMBER, R. . . . .        | 4               | 100                 |
| 7            | .         | .              | . | .                   | .                    | .SIDOBALK . . . . .             | .SIDEMEMBER . . . . .           |                 | 110                 |
|              | 1         | .              | . | .                   | 653025-7             | .HJULHUSPLÅT, V . . . . .       | .VALANCE PLATING, L . . . . .   | 4               | 120                 |
| 8            | 1         | .              | . | .                   | 653026-5             | .HJULHUSPLÅT, H . . . . .       | .VALANCE PLATING, R . . . . .   | 4               | 130                 |
| 9            | 2         | .              | . | .                   | 653753-4             | .TÅCKPLÅT . . . . .             | .COVER PLATE. . . . .           |                 | 140                 |
|              | 1         | .              | . | .                   | 657617-7             | .FÖRSTÄRKNINGSBALK, V . . . . . | .REINFORCING MEMBER, L. . . . . | 3               | 150                 |
| 10           | 1         | .              | . | .                   | 657618-5             | .FÖRSTÄRKNINGSBALK, H . . . . . | .REINFORCING MEMBER, R. . . . . | 3               | 160                 |
|              | 1         | .              | . | .                   | 659008-7             | TÅCKPLÅT, V . . . . .           | COVER PLATE, L. . . . .         |                 | 170                 |
| 11           | 1         | .              | . | .                   | 659009-5             | TÅCKPLÅT, H . . . . .           | COVER PLATE, R. . . . .         |                 | 180                 |
| 12           | 2         | .              | . | .                   | 653687-4             | TVÅRBALK. . . . .               | CROSS MEMBER. . . . .           | 3               | 190                 |
| 13           | 2         | .              | . | .                   | 669748-6             | MOTORKONSOL . . . . .           | ENGINE BRACKET. . . . .         |                 | 200                 |
| 14           | 1         | .              | . | .                   | 654067-8             | TVÅRBALK. . . . .               | CROSS MEMBER. . . . .           | 2               | 210                 |
| 15           | 1         | .              | . | .                   | 653573-6             | .KONSOL . . . . .               | .BRACKET. . . . .               |                 | 220                 |
| 16           | 1         | .              | . | .                   | 653309-5             | TÅCKPLÅT. . . . .               | COVER PLATE . . . . .           | 2               | 230                 |
|              | 1         | .              | . | .                   | 661257-6             | SIDOPLÅT, V . . . . .           | SIDE PLATING, L . . . . .       | 3               | 240                 |
| 17           | 1         | .              | . | .                   | 661258-4             | SIDOPLÅT, H . . . . .           | SIDE PLATING, R . . . . .       | 3               | 250                 |
| 18           | 1         | .              | . | .                   | 658467-6             | TVÅRBALK. . . . .               | CROSS MEMBER. . . . .           | 3               | 260                 |
| 19           | 1         | .              | . | .                   | 657978-3             | .STAG . . . . .                 | .STAY . . . . .                 |                 | 270                 |
| 20           | 4         | .              | . | .                   | 955534-3             | SKRUV . . . . .                 | BOLT. . . . .                   | 0               | 280                 |
| 21           | 4         | .              | . | .                   | 950354-1             | MUTTER. . . . .                 | NUT . . . . .                   | 0 (950394)      | 290                 |
| 22           | 4         | .              | . | .                   | 940097-9             | BRICKA. . . . .                 | WASHER. . . . .                 | 0               | 300                 |
| 23           | 1         | .              | . | .                   | 673847-0             | SKYDDSPÅT. . . . .              | BACKING PLATE . . . . .         |                 | 310                 |
| 24           | 2         | .              | . | .                   | 955127-6             | SKRUV . . . . .                 | SCREW . . . . .                 | 0               | 320                 |
| 25           | 2         | .              | . | .                   | 192366-3             | CLIPS . . . . .                 | CLIP. . . . .                   | 0               | 330                 |
| 26           | 1         | .              | . | .                   | 659355-2             | MELLANBRÅDA . . . . .           | FIREWALL. . . . .               |                 | 340                 |
| 27           | 1         | .              | . | .                   | 653633-8             | TORPED. . . . .                 | COWL. . . . .                   |                 | 350                 |
| 28           | 1         | .              | . | .                   | 658740-6             | LUFTINTAG . . . . .             | AIR-INTAKE. . . . .             |                 | 360                 |
| 29           | 1         | .              | . | .                   | 658956-4             | INSTRUMENTBRÅDA . . . . .       | INSTRUMENT, PANEL . . . . .     | 4               | 370                 |
| 30           | 15        | .              | . | .                   | 955139-1             | SKRUV . . . . .                 | SCREW . . . . .                 | 0 (955138)      | 380                 |
| 31           | 15        | .              | . | .                   | 940090-4             | BRICKA. . . . .                 | WASHER. . . . .                 | 0               | 390                 |