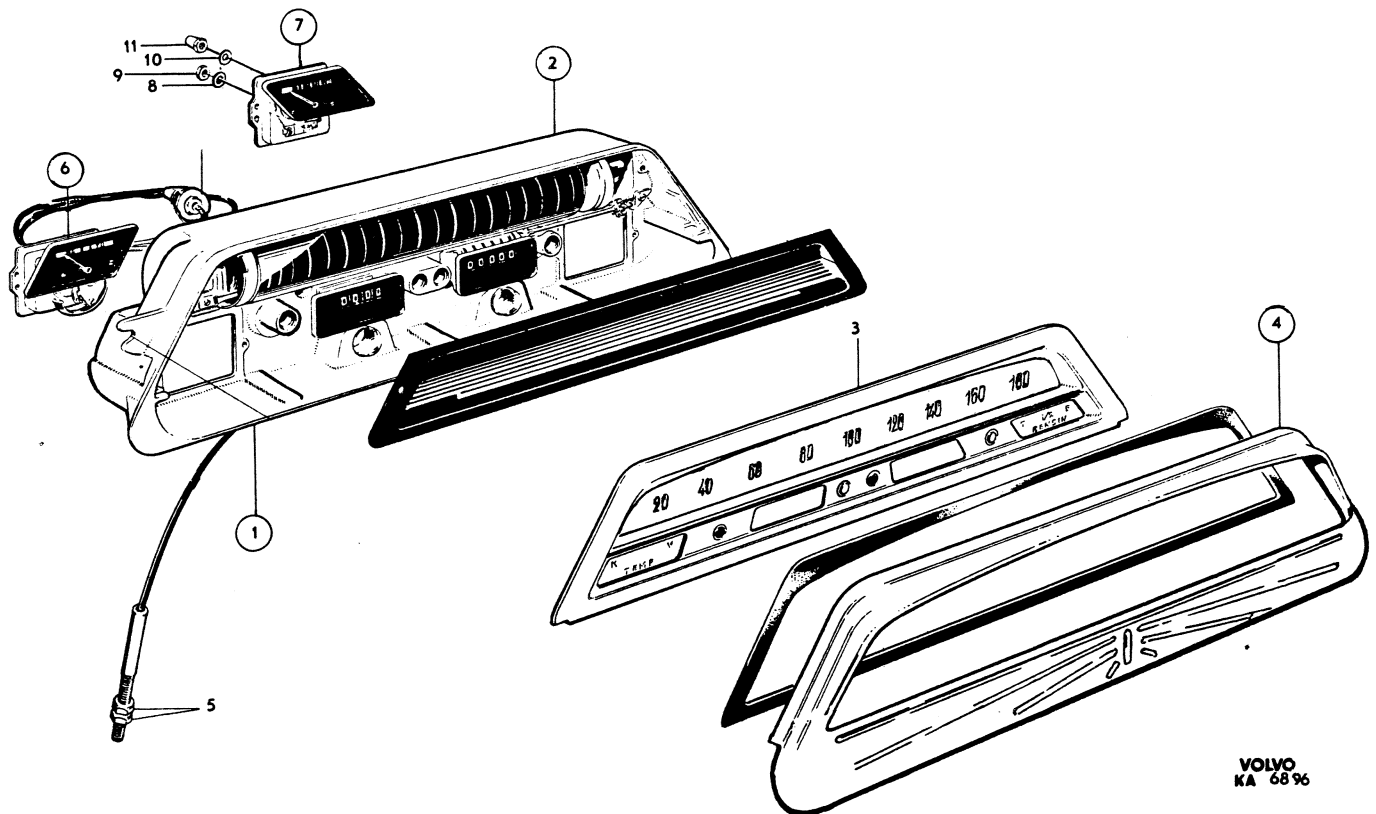


Utgåva Issue	1	INSTRUMENT	COMBINED INSTRUMENT	Grupp Group	3	Sida Page	47
-----------------	---	------------	---------------------	----------------	---	--------------	----





Sida Page		46		Grupp Group		3		INSTRUMENT			COMBINED INSTRUMENT			Utgåva Issue		2	
Pos. Fig.	Antal Qty				Detalj nr Part No	Benämning	Description	Sats/Kit	Anmärkning Notes								
	673 996	673 997															
1	1	.	.	.	673996-5	INSTRUMENT, KM-INDELAT	COMBINED INSTRUMENTS, KM-GRADUATED	3									
	.	1	.	.	673997-3	INSTRUMENT, MILES-INDELAT	COMBINED INSTRUMENTS, MILES-GRADUATED	3									
2	1	1	.	.		.HASTIGHETS-OCH .VÄGMÄTARE	.SPEEDOMETER AND .MILEOMETER		LAGERFÖRES EJ								
3	1	.	.	.	673200-2	.SKALA (GLAS).	.SCALE (GLASS)										
	.	1	.	.	673201-0	.SKALA (GLAS).	.SCALE (GLASS)										
4	1	1	.	.	670714-5	.RAM	.FRAME										
5	1	1	.	.	150152-7	.MUTTER.	.NUT	0									
6	1	1	.	.	673999-9	.TEMPERATURMÄTARE	.TEMPERATURE GAUGE.	2									
7	1	1	.	.	673998-1	.BENSINMÄTARE	.FUEL GAUGE	2									
8	1	1	.	.	120080-7	.BRICKA.	.WASHER.	0									
9	1	1	.	.	150134-5	.MUTTER.	.NUT	0									
10	2	2	.	.	120080-7	BRICKA.	WASHER.	0									
11	2	2	.	.	89428-7	MUTTER.	NUT										

004  
005  
010  
020  
030  
040  
050  
060  
070  
080  
090  
100  
110  
120  
130  
140  
150  
160