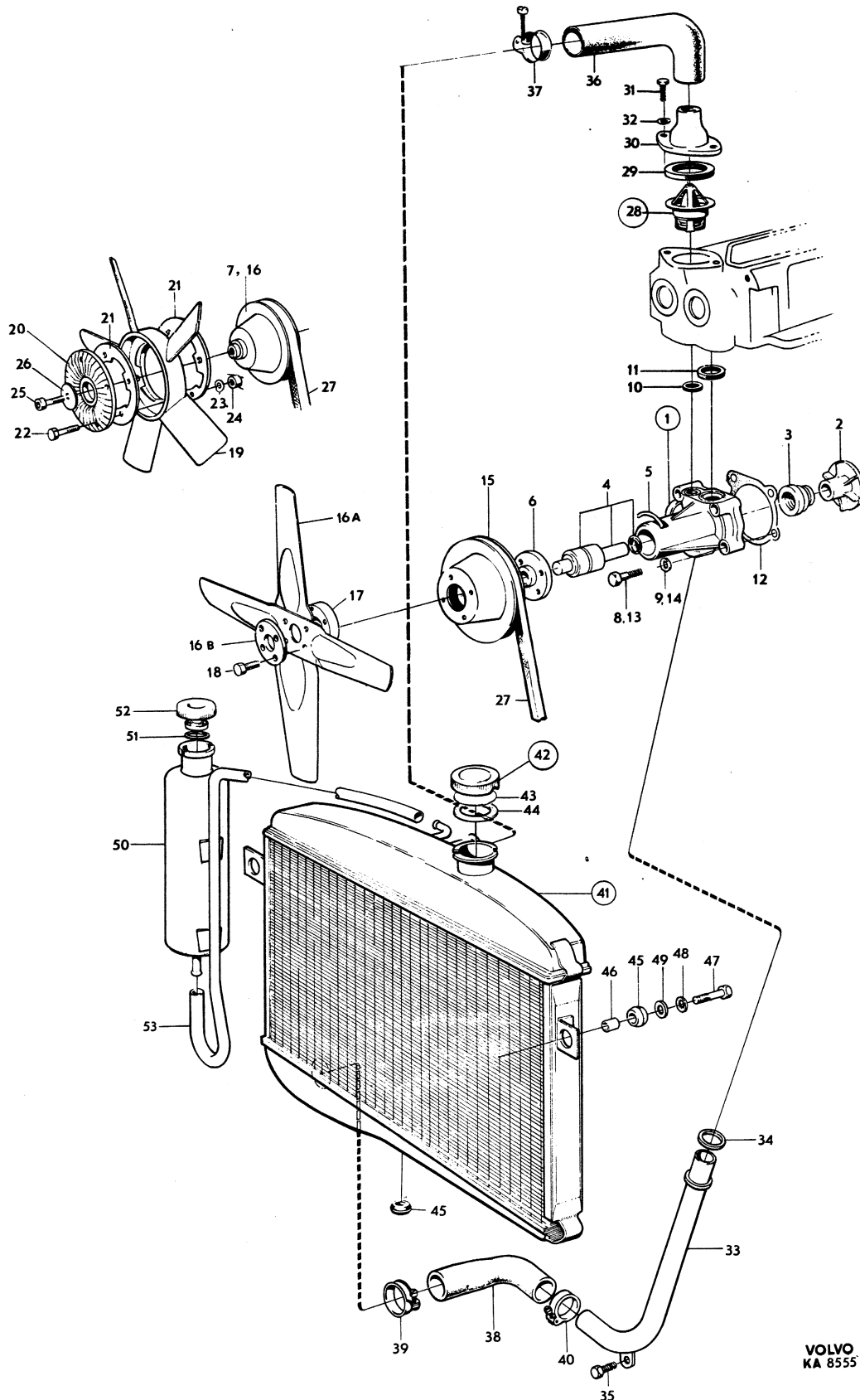


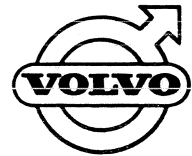


|                 |   |                             |                |    |              |   |
|-----------------|---|-----------------------------|----------------|----|--------------|---|
| Utgåva<br>Issue | 3 | KYLSYSTEM<br>COOLING SYSTEM | Grupp<br>Group | 28 | Sida<br>Page | 3 |
|-----------------|---|-----------------------------|----------------|----|--------------|---|





| Sida<br>Page |           | Grupp<br>Group |   | KYLSYSTEM<br>COOLING SYSTEM |                      | Utgåva<br>Issue                   |  |          |   |            |
|--------------|-----------|----------------|---|-----------------------------|----------------------|-----------------------------------|--|----------|---|------------|
| 2            |           | 2B             |   |                             |                      | 4                                 |  |          |   |            |
| Pos.<br>Fig. | Antal Qty |                |   |                             | Detalj nr<br>Part No | Benämning                         | Description                            | Sats/Kit | Anmärkning<br>Notes                             |            |
|              |           |                |   |                             |                      |                                   |  |          |   |            |
| 1            | 1         | .              | . | .                           | 419689-5             | VATTENPUMP. . . . .               | WATER PUMP. . . . .                    | 1        | B20 EXCL B20 496924                             | 01C        |
|              | 1         | .              | . | .                           | 419679-6             | VATTENPUMP. . . . .               | WATER PUMP. . . . .                    |          | B20 496924                                      | 020        |
| 2            | 1         | .              | . | .                           |                      | .SKOVELHJUL . . . . .             | .IMPELLER . . . . .                    |          | (418330)  | 030        |
| 3            | 1         | .              | . | .                           | 430193-3             | .TÄTNING. . . . .                 | .SEAL . . . . .                        | 1        |   | 040        |
| 4            | 1         | .              | . | .                           |                      | .AXEL, KULLAGER,<br>AVKÄSTARRING  | .SHAFT, BALL BEARING<br>DEFLECTOR RING |          | LAGERFÖRES EJ                                   | 05C<br>060 |
| 5            | 1         | .              | . | .                           | 415058-7             | .LÅSTRÅD. . . . .                 | .LOCK WIRE. . . . .                    | 1        |   | 070        |
| 6            | 1         | .              | . | .                           | 419690-3             | .NAV. . . . .                     | .HUB. . . . .                          | 3        | B20 EXCL B 20 496924                            | 08C        |
| 7            | 1         | .              | . | .                           |                      | .REMSKIVA . . . . .               | .PULLEY . . . . .                      |          | B20 496924 . SE POS 16                          | 09         |
| 8            | 2         | .              | . | .                           |                      | .SKRUV, L 45. . . . .             | .SCREW, L 45 . . . . .                 | 0        | B20 496924 .SE POS 13                           | 100        |
| 9            | 2         | .              | . | .                           |                      | .FJÄDRANDE BRICKA . . . . .       | .RESILIENT WASHER . . . . .            | 0        | B20 496924 . SE POS 14                          | 110        |
| 10           | 1         | .              | . | .                           | 418656-5             | TÄTNINGSRING, ROT 90- . . . . .   | SEAL RING, ROT 90- . . . . .           | S        | B20A, STD. 15,5X2,5X9,5                         | 12C        |
|              | 1         | .              | . | .                           | 418655-7             | TÄTNINGSRING, ROT 97- . . . . .   | SEAL RING, ROT 97- . . . . .           | S        | B20B, STD. 15,5X2,5X8,5                         | 130        |
|              | 1         | .              | . | .                           | 418656-5             | TÄTNINGSRING, ROT 90-97 . . . . . | SEAL RING, ROT 90-97. . . . .          |          | 1) B20B. 15,5X2,5X9,5                           | 13         |
|              | 1         | .              | . | .                           | 419782-8             | TÄTNINGSRING, ROT 85-90 . . . . . | SEAL RING, ROT 85-90. . . . .          |          | 1) 15,5X2,5X10                                  | 132        |
|              | 1         | .              | . | .                           | 460022-7             | TÄTNINGSRING, ROT 80-85 . . . . . | SEAL RING, ROT 80-85. . . . .          |          | 1) 15,5X2,5X11,5                                | 132        |
| 11           | 1         | .              | . | .                           | 418658-1             | TÄTNINGSRING, ROT 90- . . . . .   | SEAL RING, ROT 90- . . . . .           | S        | B20A, STD. 24X2,5X9,5                           | 140        |
|              | 1         | .              | . | .                           | 418657-3             | TÄTNINGSRING, ROT 97- . . . . .   | SEAL RING, ROT 97- . . . . .           | S        | B20B, STD. 24X2,5X8,5                           | 150        |
|              | 1         | .              | . | .                           | 418658-1             | TÄTNINGSRING, ROT 90-97 . . . . . | SEAL RING, ROT 90-97. . . . .          |          | 1) B20B. 24X2,5X9,5                             | 151        |
|              | 1         | .              | . | .                           | 419781-0             | TÄTNINGSRING, ROT 85-90 . . . . . | SEAL RING, ROT 85-90. . . . .          |          | 1) 24X2,5X10                                    | 152        |
|              | 1         | .              | . | .                           | 460023-5             | TÄTNINGSRING, ROT 80-85 . . . . . | SEAL RING, ROT 80-85. . . . .          |          | 1) 24X2,5X11,5                                  | 153        |
| 12           | 1         | .              | . | .                           | 418333-1             | PACKNING. . . . .                 | GASKET. . . . .                        | S        |   | 160        |
| 13           | 2         | .              | . | .                           | 190524-9             | SKRUV . . . . .                   | SCREW . . . . .                        | 0        | L 28  | 170        |
|              | 2         | .              | . | .                           | 940161-3             | SKRUV . . . . .                   | SCREW . . . . .                        | 0        | L 45  | 180        |
| 14           | 4         | .              | . | .                           | 941907-8             | FJÄDRANDE BRICKA. . . . .         | RESILIENT WASHER. . . . .              | 0        |   | 190        |
| 15           | 1         | .              | . | .                           | 418293-7             | REMSKIVA. . . . .                 | PULLEY. . . . .                        | 3        | B20 EXCL B20 496924                             | 200        |
| 16           | 1         | .              | . | .                           | 419673-9             | REMSKIVA. . . . .                 | PULLEY. . . . .                        |          | B20 496924                                      | 210        |
| 16A          | 1         | .              | . | .                           | 667400-6             | FLÄKT                             | FAN                                    |          | TID UTF. ERS AV 1 ST<br>672703-6, 1 ST 672740-8 | 220<br>221 |
|              | 1         | .              | . | .                           | 672703-6             | FLÄKT . . . . .                   | FAN . . . . .                          | 1        | SEN UTF   | 225        |
| 16B          | 1         | .              | . | .                           | 672740-8             | BRICKA. . . . .                   | WASHER. . . . .                        | 3        | SEN UTF   | 226        |
| 17           | 1         | .              | . | .                           | 673649-0             | DISTANSSTYCKE . . . . .           | SPACER. . . . .                        |          |   | 23         |
| 18           | 4         | .              | . | .                           | 940135-7             | SKRUV . . . . .                   | SCREW . . . . .                        | 0        |   | 240        |
| 19           | 1         | .              | . | .                           | 679276-6             | FLÄKT . . . . .                   | FAN . . . . .                          | 1        | SPEC UTF 5396                                   | 250        |
| 20           | 1         | .              | . | .                           | 430200-6             | FLÄKTKOPPLING . . . . .           | FAN CLUTCH. . . . .                    | 3        | SPEC UTF 5396                                   | 260        |
| 21           | 2         | .              | . | .                           | 679409-3             | BRICKA. . . . .                   | WASHER. . . . .                        |          | SPEC UTF 5396                                   | 270        |
| 22           | 4         | .              | . | .                           | 956558-1             | SKRUV . . . . .                   | SCREW . . . . .                        | 0        | SPEC UTF 5396                                   | 28C        |
| 23           | 4         | .              | . | .                           | 941906-0             | FJÄDRANDE BRICKA. . . . .         | RESILIENT WASHER. . . . .              | 0        | SPEC UTF 5396                                   | 29C        |
| 24           | 4         | .              | . | .                           | 955825-5             | MUTTER. . . . .                   | NUT . . . . .                          | 0        | SPEC UTF 5396                                   | 300        |
| 25           | 1         | .              | . | .                           | 956567-2             | SKRUV . . . . .                   | SCREW . . . . .                        | 0        | SPEC UTF 5396                                   | 310        |
| 26           | 1         | .              | . | .                           | 419674-7             | BRICKA. . . . .                   | WASHER. . . . .                        |          | SPEC UTF 5396                                   | 320        |
| 27           | 1         | .              | . | .                           | 960282-2             | DRIVREM . . . . .                 | DRIVE BELT. . . . .                    | 1        | VST 419407                                      | 33C        |
|              | 1         | .              | . | .                           | 419419-7             | DRIVREM . . . . .                 | DRIVE BELT. . . . .                    | 1        | HST   | 34C        |
| 28           | 1         | .              | . | .                           | 273164-4             | TERMOSTATSATS . . . . .           | THERMOSTAT KIT. . . . .                | 1        |   | 350        |
| 29           | 1         | .              | . | .                           | 418361-2             | .PACKNING . . . . .               | .GASKET . . . . .                      | S        |   | 360        |
| 30           | 1         | .              | . | .                           | 419333-0             | VATTENAVLOPPSRÖR. . . . .         | WATER CUTLET PIPE . . . . .            | 2        |   | 370        |
| 31           | 2         | .              | . | .                           | 940135-7             | SKRUV . . . . .                   | SCREW . . . . .                        | 0        |   | 380        |
| 32           | 2         | .              | . | .                           | 941907-8             | FJÄDRANDE BRICKA. . . . .         | RESILIENT WASHER. . . . .              | 0        |   | 390        |
| 33           | 1         | .              | . | .                           | 418334-9             | VATTENTILLOPPSRÖR . . . . .       | WATER INLET PIPE. . . . .              | 3        |   | 400        |
| 34           | 1         | .              | . | .                           | 418326-5             | GUMMIRING . . . . .               | RUBBER RING . . . . .                  | S        |   | 410        |
| 35           | 1         | .              | . | .                           | 955526-9             | SKRUV . . . . .                   | SCREW . . . . .                        | 0        |   | 420        |



| Sida<br>Page |           | Grupp<br>Group |   | KYLSYSTEM<br>COOLING SYSTEM |                      |                             |                                 | Utgåva<br>Issue |                     |     |
|--------------|-----------|----------------|---|-----------------------------|----------------------|-----------------------------|---------------------------------|-----------------|---------------------|-----|
| Pos.<br>Fig. | Antal Qty |                |   |                             | Detajl nr<br>Part No | Benämning                   | Description                     | Sats/Kit        | Anmärkning<br>Notes |     |
|              |           |                |   |                             |                      |                             |                                 |                 |                     |     |
| X 36         | 1         | .              | . | .                           | 273190-9             | KYLARSLANGSATS. . . . .     | RADIATOR HOSE KIT . . . . .     | 1               |                     | 010 |
| X 37         | 2         | .              | . | .                           | 951792-1             | .SLANGKLAMMER . . . . .     | .HOSE CLIP. . . . .             | S               |                     | 020 |
| X 38         | 1         | .              | . | .                           | 273191-7             | KYLARSLANGSATS. . . . .     | RADIATOR HOSE KIT . . . . .     | 1               |                     | 030 |
| X 39         | 1         | .              | . | .                           | 951792-1             | .SLANGKLAMMER . . . . .     | .HOSE CLIP. . . . .             | S               |                     | 040 |
| 40           | 1         | .              | . | .                           | 951791-3             | .SLANGKLAMMER . . . . .     | .HOSE CLIP. . . . .             | S               |                     | 050 |
| 41           | 1         | .              | . | .                           | 252111-0             | KYLARELEMENT. . . . .       | RADIATOR UNIT . . . . .         | 2               |                     | 060 |
| 42           | 1         | .              | . | .                           | 682294-4             | .PAFYLLNINGSLÖCK. . . . .   | .FILLER CAP . . . . .           | 1               |                     | 070 |
| 43           | 1         | .              | . | .                           |                      | ..FRIKTIONSBRICKA . . . . . | ..FRICTION WASHER . . . . .     | 1               | (678126)            | 080 |
| 44           | 1         | .              | . | .                           | 676553-1             | ..PACKNING. . . . .         | ..GASKET. . . . .               | 1               |                     | 090 |
| 45           | 3         | .              | . | .                           | 673989-0             | GUMMIBUSSNING . . . . .     | RUBBER BUSHING. . . . .         | 2               |                     | 100 |
| 46           | 2         | .              | . | .                           | 663497-6             | HYLSA . . . . .             | SLEEVE. . . . .                 | 2               |                     | 110 |
| 47           | 2         | .              | . | .                           | 940115-9             | SKRUV . . . . .             | SCREW . . . . .                 | 0               |                     | 120 |
| 48           | 2         | .              | . | .                           | 955950-1             | LÅSBRICKA . . . . .         | LOCK WASHER . . . . .           | 0               |                     | 130 |
| 49           | 2         | .              | . | .                           | 960148-5             | BRICKA. . . . .             | WASHER. . . . .                 | 0               |                     | 140 |
| X 50         | 1         | .              | . | .                           | 686833-5             | EXPANSIONSKÄRL. . . . .     | EXPANSION TANK. . . . .         | 2               |                     | 150 |
| X 51         | 1         | .              | . | .                           | 687103-2             | PACKNING. . . . .           | GASKET. . . . .                 | 1               | TID UTF             | 151 |
| 52           | 1         | .              | . | .                           | 673233-3             | PAFYLLNINGSLÖCK . . . . .   | FILLER CAP. . . . .             | 1               |                     | 160 |
| 53           | 630       | .              | . | .                           | 942700-6             | SLANG . . . . .             | HOSE. . . . .                   | 1               |                     | 170 |
|              | 1         | .              | . | .                           | 275541-1             | PACKNINGSSATS VATTENPUMP.   | GASKET KIT WATER PUMP . . . . . | 1               | B20A                | 180 |
|              | 1         | .              | . | .                           | 275540-3             | PACKNINGSSATS VATTENPUMP.   | GASKET KIT WATER PUMP . . . . . | 1               | B20B                | 190 |