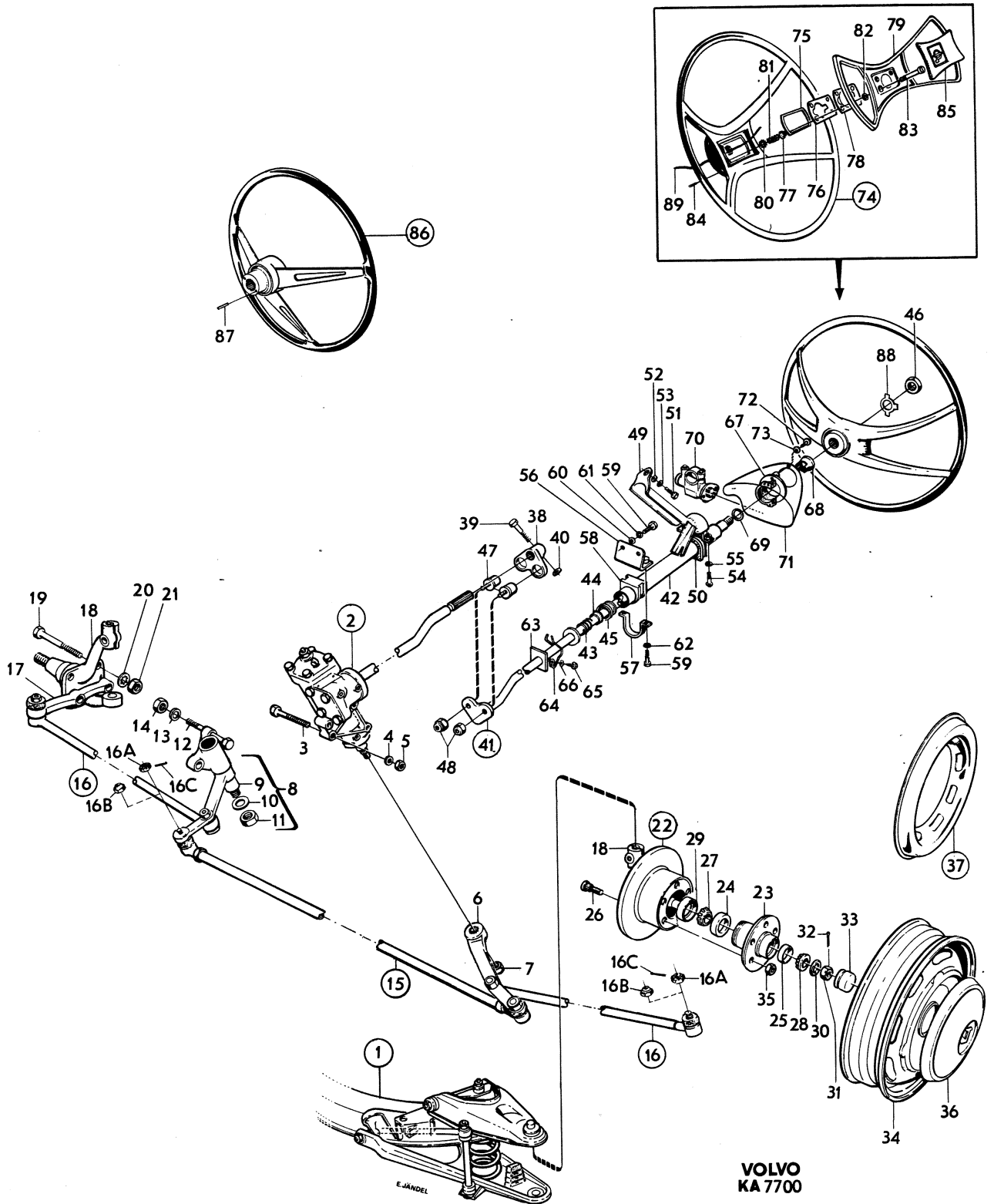


Utgåva Issue	2	FRAMAXEL, STYRNING, NAV, HJUL	FRONT AXLE, STEERING, HUBS, WHEELS	Grupp Group	6	Sida Page	3
-----------------	---	----------------------------------	---------------------------------------	----------------	---	--------------	---





Sida Page		Grupp Group				FRAMAXEL, STYRNING, NAV, HJUL		FRONT AXLE, STEERING HUBS, WHEELS		Utgåva Issue	
Pos. Fig.	Antal Qty				Detalj nr Part No	Benämning	Description	Sats/Kit	Anmärkning Notes		
	VST	HST									
1		FRAMAXEL.	FRONT AXLE.		SE SIDA 8	010	
2	1	.	.	.	250135-1	STYRINRÄTTNING.	STEERING GEAR	4		020	
	.	1	.	.	250136-9	STYRINRÄTTNING.	STEERING GEAR	4		030	
DET SE SIDA 12COMPONENTS SEE PAGE 12 .			040	
3	3	3	.	.	942547-1	SKRUV	BOLT.	0		050	
4	3	3	.	.	192495-0	BRICKA.	WASHER.	0		060	
5	3	3	.	.	950354-1	MUTTER.	NUT	0		070	
6	1	.	.	.	666349-6	PITMANARM	DROP ARM.	3		080	
	.	1	.	.	666350-4	PITMANARM	DROP ARM.	3		090	
7	1	1	.	.	950389-7	MUTTER.	NUT	0		100	
8	1	.	.	.	671454-7	MELLANARM	STEERING IDLER ARM.	3		110	
	.	1	.	.	671455-4	MELLANARM	STEERING IDLER ARM.	3		120	
9	1	1	.	.	671444-8	.BUSSNINGBUSHING.	2		130	
10	1	1	.	.	960145-1	.BRICKAWASHER	0		140	
11	1	1	.	.	950356-6	.MUTTERNUT.	0		150	
12	3	3	.	.	942529-9	SKRUV	BOLT.	0		160	
13	3	3	.	.	192495-0	BRICKA.	WASHER.	0		170	
14	3	3	.	.	950354-1	MUTTER.	NUT	0		180	
15	1	1	.	.	660979-6	PARALLELLSTAG	TIE ROD	3	P130 CH1- EXCL 333366-334165 P220 CH 1- EXCL 72511-72590	190 200 210 220	
	1	1	.	.	661934-0	PARALLELLSTAG	TIE ROD		P130 CH 333366-334165 P220 CH 72511-72590 ERS AV 1 ST 660979-6 2 ST 190573-6	230 240 250 260	
DET SE SIDA 14COMPONENTS SEE PAGE 14 .			270	
16	1	1	.	.	658596-2	STYRSTAG, V	STEERING ROD, L	1	P130 CH 1- EXCL 333366-334165 P220 CH 1- EXCL 72511-72590	280 290 300 310	
X	1	1	.	.	661944-9	STYRSTAG, V	STEERING ROD, L		P130 CH 333366-334165 P220 CH 72511-72590 ERS AV 1 ST 658596-2 2 ST 190573-6	320 330 340 350	
	1	1	.	.	658597-0	STYRSTAG, H	STEERING ROD, R	1	P130 CH 1- EXCL 333366-334165 P220 CH 1- EXCL 72511-72590	360 370 380 390	
	1	1	.	.	661945-6	STYRSTAG, H	STEERING ROD, R		P130 CH 333366-334165 P220 CH 72511-72590 ERS AV 1 ST 658597-0 2 ST 190573-6	400 410 420 430	
DET SE SIDA 14COMPONENTS SEE PAGE 14 .			440	
16A	6	6	.	.	190573-6	MUTTER	NUT	0	P130 CH 1- EXCL 333366-334165 P220 CH 1- EXCL 72511-72590	450 460 470 480	
16B	6	6	.	.	955882-6	MUTTER	NUT	0	P130 CH 333366-334165 P220 CH 72511-72590	490 500	
16C	6	6	.	.	907824-7	SAXPINNE.	SPLIT PIN	0		510	



Sida Page		Grupp Group		FRAMAXEL, STYRNING, NAV, HJUL		FRONT AXLE, STEERING HUBS, WHEELS		Utgåva Issue	
Pos. Fig.	Antal Qty				Detalj nr Part No	Benämning	Description	Sats/Kit	Anmärkning Notes
	VST	HST							
17	1	1	.	.	653033-1	STYRARM, V	STEERING ARM, L.	3	
	653034-9	STYRARM, H	STEERING ARM, R.	3	
18	1	1	.	.		SPINDEL	STEERING KNUCKLE.		SE SIDA 10
19	4	4	.	.	955535-0	SKRUV	BOLT.	0	L 32
	4	4	.	.	955539-2	SKRUV	BOLT.	0	L 64
20	8	8	.	.	955950-1	LÅSBRICKA	LOCK WASHER	0	
21	8	8	.	.	950354-1	MUTTER.	NUT	0	
22	2	2	.	.	666525-1	BROMSSKIVA.	BRAKE DISC.	3	
23	2	2	.	.		.NAV.HUB.		LAGERFORES EJ
24	2	2	.	.	181458-1	.RULLAGER, YTTERRINGROLLER BEARING, CUP	S	
25	2	2	.	.	181457-3	.RULLAGER, YTTERRINGROLLER BEARING, CUP	S	
26	10	10	.	.	657874-4	.HJULBULT, FRÅMRE.WHEEL STUD, FRONT	2	
	10	10	.	.		.HJULBULT, BAKRE	WHEEL STUD, REAR		SE GRUPP 4
27	2	2	.	.	181130-6	RULLAGER, INNERRING.	ROLLER BEARING, CONE	S	
28	2	2	.	.	18448-1	RULLAGER, INNERRING.	ROLLER BEARING, CONE	S	
29	2	2	.	.	88640-8	OLJETÄTNING	OIL SEAL.	S	
30	2	2	.	.	87464-4	BRICKA.	WASHER.	2	
31	2	2	.	.	153042-7	MUTTER.	NUT	0	
32	2	2	.	.	907849-4	SAXPINNE.	SPLIT PIN	S	
33	2	2	.	.	87465-1	FETTKAPSEL.	GREASE CUP.	2	
34	5	5	.	.	670429-0	HJUL.	WHEEL	1	P 130
	5	5	.	.	670451-4	HJUL.	WHEEL	1	P 220
35	20	20	.	.	87699-5	MUTTER.	NUT	1	
36	4	4	.	.	670437-3	NAVKAPSEL	HUB CAP	1	
37	1	.	.	.	277584-9	HJULRINGSSATS	WHEEL TRIM KIT.	1	SPEC UTF 5314
	4HJULRINGWHEEL RING		LAGERFORES EJ
38	1	1	.	.	673039-4	MEDBRINGARE	COMPANION FLANGE.	4	
39	1	1	.	.	943038-0	SKRUV	SCREW	0	
40	1	1	.	.	955950-1	LÅSBRICKA	LOCK WASHER	0	
41	1	1	.	.	684572-1	RATTSTANG	STEERING SHAFT	3	
42	1	1	.	.		.RATTRÖR.COLUMN TUBE.		LAGERFORES EJ
43	2	2	.	.	85612-0	.FJADERSPRING	3	
44	2	2	.	.	85613-8	.SÅTESEAT	3	
45	2	2	.	.	85611-2	.KULLAGERBALL BEARING	2	
46	1	1	.	.	943265-9	.MUTTERNUT.	0	
47	2	2	.	.	673060-0	BUSSNING.	BUSHING	2	
48	2	2	.	.	950353-3	MUTTER.	NUT	0	
49	1	1	.	.	673046-6	STAG.	STAY.		
50	1	1	.	.	676317-1	GUMMIBUSSNING	RUBBER BUSHING.	3	
51	1	1	.	.	940100-1	SKRUV	SCREW	0	
52	1	1	.	.	192287-1	BRICKA.	WASHER.	0	
53	1	1	.	.	955920-4	FJADERBRICKA.	SPRING WASHER	0	
54	2	2	.	.	682898-2	SKRUV	SCREW		(676325)
55	2	2	.	.	955894-1	BRICKA	WASHER	0	P130 VST CH-332690 P130 HST CH-334173 P220 CH-72471
	1	1	.	.	673871-0	BRICKA	WASHER		P130 VST CH 332691- P130 HST CH 334174- P220 CH 72472-

004

010

020

030

040

050

060

070

080

090

100

110

120

130

140

150

160

170

180

190

200

210

220

230

240

250

260

270

280

290

300

320

330

340

350

360

370

380

390

400

410

420

430

440

450

460

470

480

490

500



Sida Page		Grupp Group		FRAMAXEL, STYRNING, NAV, HJUL		FRONT AXLE, STEERING, HUBS, WHEELS		Utgåva Issue	
6		6						3	
Pos. Fig.	Antal Qty				Detalj nr Part No	Benämning	Description	Sats/ Kit	Anmärkning Notes
	VST	HST							
56	1	.	.	.	673595-5	STÖD	SUPPORT		
	.	1	.	.	673965-0	STÖD	SUPPORT		
57	1	1	.	.	683230-7	KLAMMER	CLAMP		
58	1	1	.	.	676317-1	GUMMIBUSSNING	RUBBER BUSHING	3	
59	4	4	.	.	955523-6	SKRUV	SCREW	0	
60	2	2	.	.	955894-1	BRICKA	WASHER	0	
61	2	2	.	.	955921-2	FJÄDERBRICKA	SPRING WASHER	0	
62	2	2	.	.	941907-8	FJÄDRANDE BRICKA	RESILIENT WASHER	0	
63	1	1	.	.	654011-6	TÄTNINGSKRAGE	SEALING COLLAR	4	
64	1	1	.	.	668648-9	KLAMMER	CLAMP		
65	1	1	.	.	955137-5	SKRUV	SCREW	0	
66	1	1	.	.	940090-4	BRICKA	WASHER	0	
67	1	1	.	.		FASTE	ANCHORAGE		SE GRUPP 3
68	1	1	.	.		MEDBRINGARE	COMPANION FLANGE		SE GRUPP 3
69	4	4	.	.	191622-0	BRICKA	WASHER	0	
70	1	1	.	.		RATTLAS	STEERING COLUMN LOCK		SE GRUPP 3
71	1	1	.	.		HUS	HOUSING		SE GRUPP 3
72	3	3	.	.	955129-2	SKRUV	SCREW	0	
73	3	3	.	.	941904-5	BRICKA	WASHER	0	
74	1	1	.	.	673422-2	RATT	STEERING WHEEL	2	
75	1	1	.	.	673530-2	KONTAKTRING	CONTACT RING		
76	1	1	.	.	673533-6	KONTAKTBRICKA	CONTACT WASHER		
77	4	4	.	.	673521-1	ISOLERBUSSNING	INSULATING BUSHING	3	
78	1	1	.	.	673534-4	ISOLERBRICKA	INSULATING WASHER	3	
79	1	1	.	.	673531-0	SIGNALRING	HORN RING	3	
80	4	4	.	.	673524-5	TAGGBRICKA	TAG WASHER	2	
81	4	4	.	.	673523-7	TRYCKFJÄDER	THRUST SPRING	3	
82	4	4	.	.	673520-3	BRICKA	WASHER	3	
83	4	4	.	.	673519-5	ANSATSSKRUV	STOP SCREW	3	
84	1	1	.	.	951126-2	RAFFELPINNE	GROOVED STRAIGHT PIN	0	
85	1	1	.	.	673535-1	STÖTSKYDD	SHOCK GUARD	3	
86	1	.	.	.	672596-4	RATT	STEERING WHEEL	2	SPEC UTF 5314
87	1	.	.	.	951124-7	RAFFELPINNE	GROOVED STRAIGHT PIN	0	
88	1	.	.	.	659537-5	LÅSBRICKA	LOCK WASHER	1	
89		SIGNALLEDNING	HORN CABLE		SE GRUPP 3
	2	2	.	.	273160-2	FRAMHJULSLAGERSATS	FRONT WHEEL BEARING KIT	1	

004
010
020
030
070
080
090
100
110
120
130
140
150
160
170
180
190
200
210
220
230
240
250
260
270
280
290
300
310
320
330
340
350
360
370
380
390