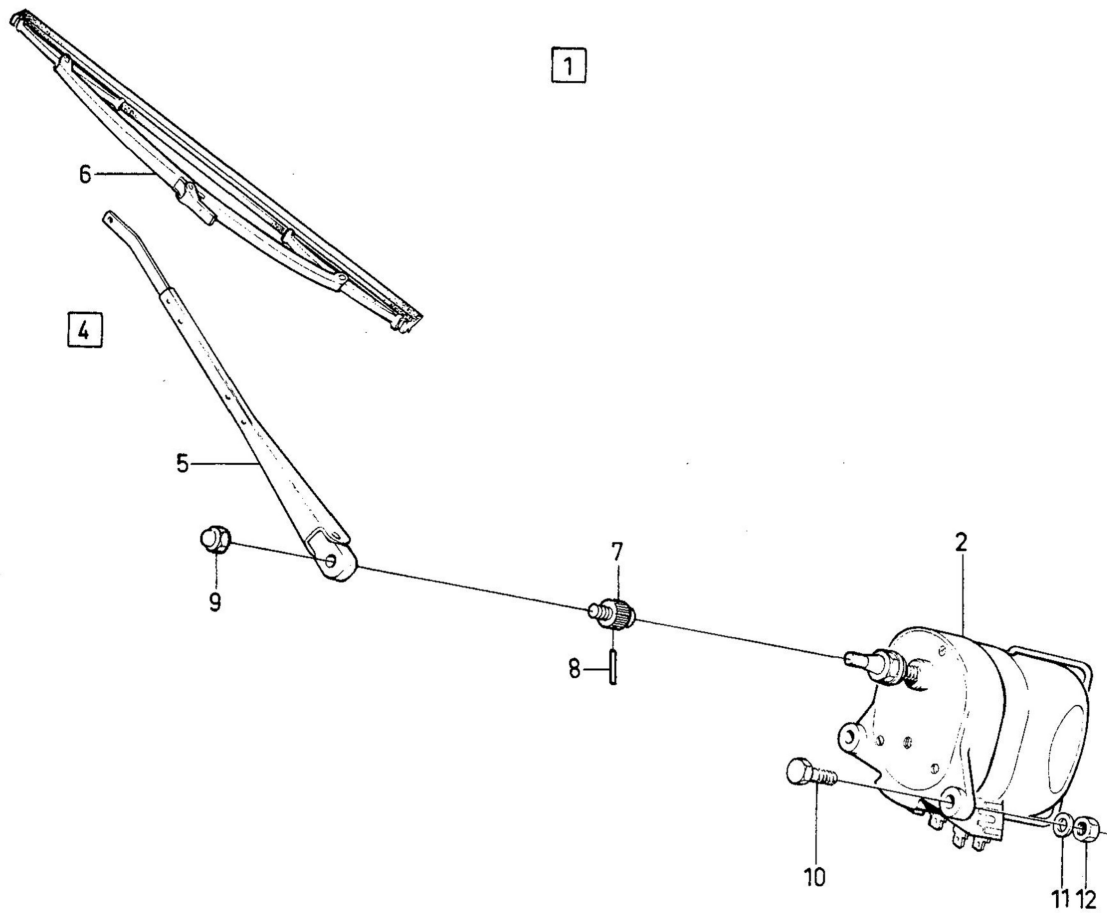
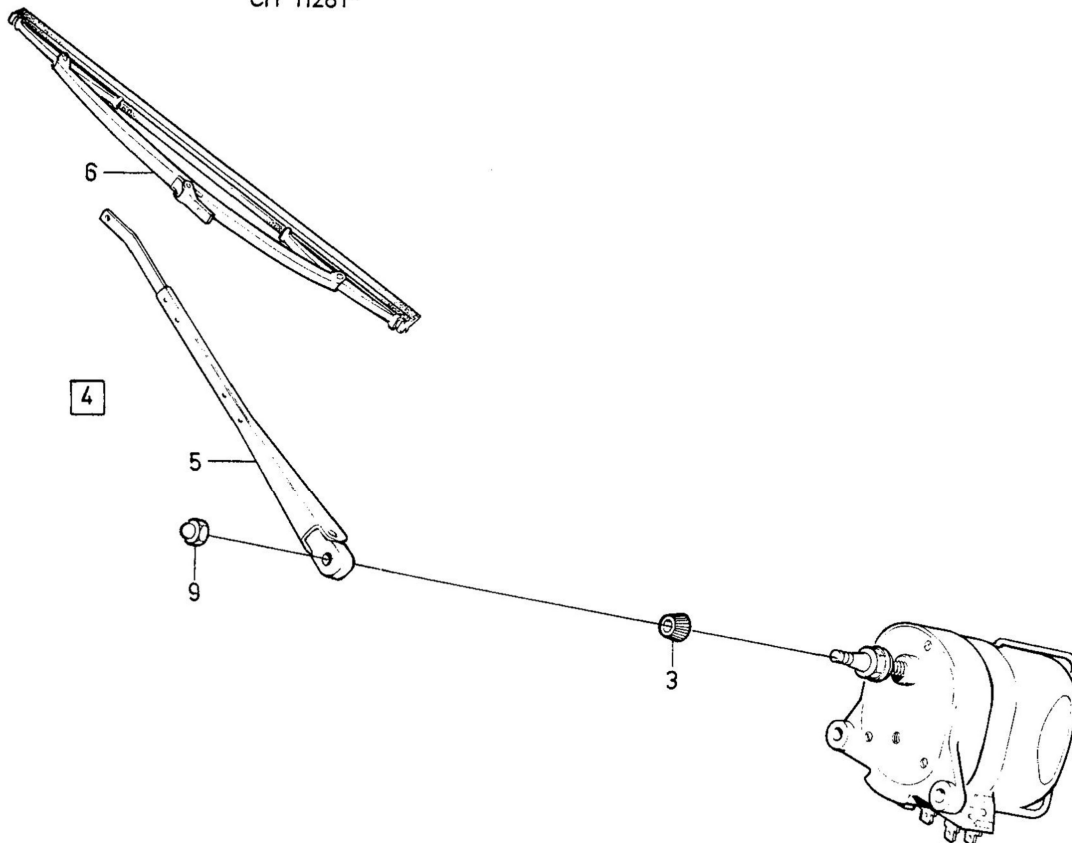


CH 11280.



CH 11281-



A							VINDRUTETORKARE		WINDSCREEN WIPERS		Grupp Group
B											36
C											Sida Page
D											165
E											
Pos	Artikel nr Part No.	Antal /Quantity					P S	Benämning	Description	Anmärkning Notes	S R
		A	B	C	D	E					
1		2	-	-	-	-	NS	Vindrutetorkare	Windscreen wiper		
2	(1569492)	1	-	-	-	-	SP	• Torkarmotor	• Wiper motor	CH-11280. REPL 1PCS 6891831-7, 1PCS 6891836-6, 1PCS 6891838-2, 1PCS 6891865-5.	3
	6891831-7 (6868262)	1	-	-	-	-		• Torkarmotor, v	• Wiper motor, l.h.	CH 11281-.	2
		1	-	-	-	-	SP	• Torkarmotor	• Wiper motor	CH-11280. REPL 1PCS 6891832-5, 1PCS 6891837-4, 1PCS 6891838-2, 1PCS 6891865-5.	2
	6891832-5	1	-	-	-	-		• Torkarmotor, h	• Wiper motor, r.h.	CH 11281-.	2
3	6891833-3	1	-	-	-	-		•• Bussning	•• Bushing		2
4		2	-	-	-	-	NS	• Torkarm	• Wiper arm		
5	(6868815)	1	-	-	-	-	SP	•• Torkarm v	•• Wiper arm l	CH-11280. REPL 1PCS 6891836-6, 1PCS 6891838-2, 1PCS 6894150-9, 1PCS 951124-7, 1PCS 6891865-5.	1
	6891836-6 (6868816)	1	-	-	-	-		•• Torkarm, v	•• Wiper arm, l.h.	CH 11281-.	1
		1	-	-	-	-	SP	•• Torkarm h	•• Wiper arm r	CH-11280. REPL 1PCS 6891837-7, 1PCS 6891838-2, 1PCS 6894150-9, 1PCS 951124-7, 1PCS 6891865-5.	1
	6891837-4 (6868817)	1	-	-	-	-		•• Torkarm, h	•• Wiper arm, r.h.	CH 11281-.	1
		2	-	-	-	-	SP	•• Torkarblad	•• Wiper blade	CH-11280. REPL 1PCS 6891836-6 FOR L.H 1PCS 6891837-7 FOR R.H 1PCS 6891838-2, 1PCS 6894150-9, 1PCS 951124-7, 1PCS 6891865-5.	1
	6891973-7	1	-	-	-	-		••• Gummiblad	••• Rubber blade		1
	6891838-2	2	-	-	-	-		•• Torkarblad	•• Wiper blade		1
7	6894150-9	2	-	-	-	-		•• Bussning	•• Bushing		2
8	951124-7	2	-	-	-	-		•• Pinne	•• Pin		2
9	6891865-5	2	-	-	-	-		•• Mutter	•• Nut		2
10	955297-7	4	-	-	-	-		• Skruv	• Screw		2
11	941907-8	4	-	-	-	-		• Fjäderbricka	• Spring washer		2
☆ 12	968862-3	4	-	-	-	-		• Flänsnutt	• Flange nut	(955782)	8