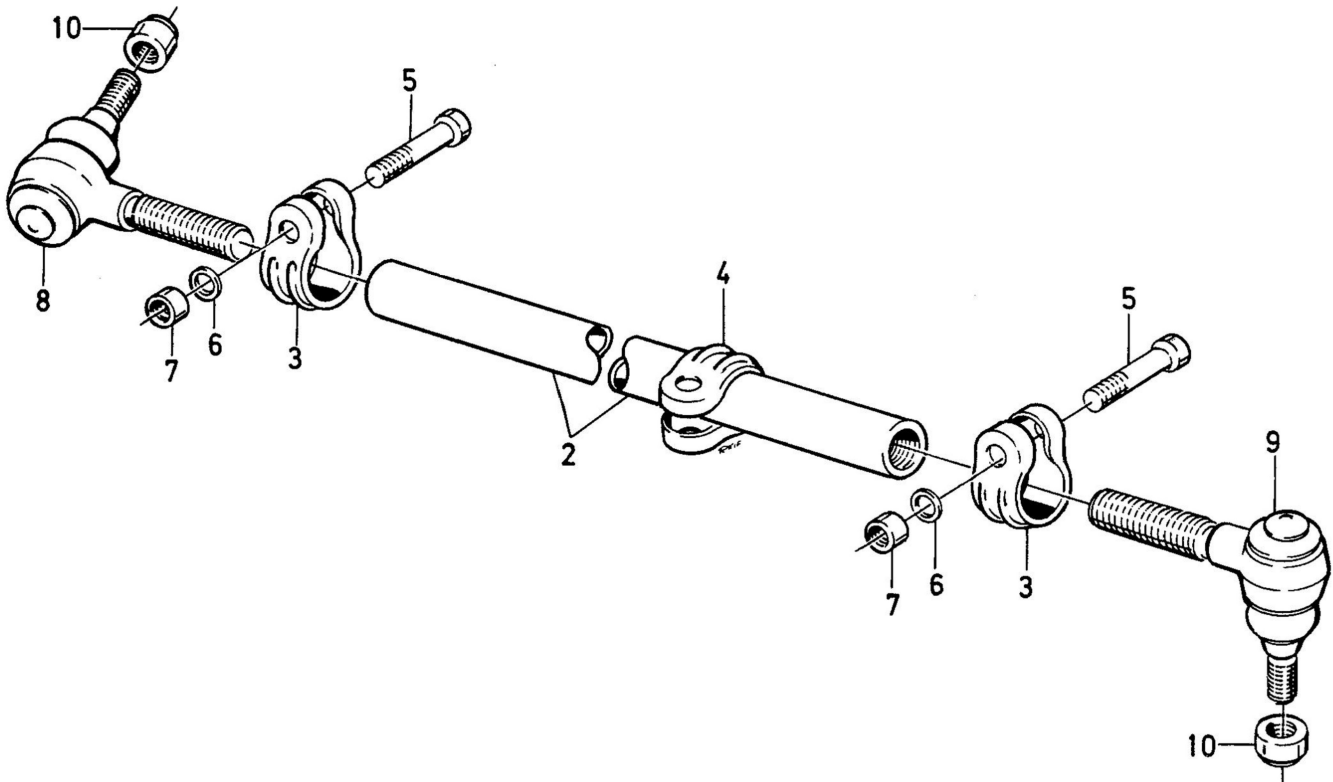


1



VOLVO PARTS
2 060 20446
(27:1)

| A | 1569517 | | | | | PARALLELLSTAG | TIE ROD | Grupp Group | | | | | | |
|-----|------------------------|-----------------|---|---|---|---------------|---------|----------------------|-----------------------|---------------------|--------|--|--|--|
| | B | 1569235 | | | | | | | 64 | | | | | |
| | | C | | | | | | | | Sida Page | | | | |
| | | | D | | | | | | | | 299 | | | |
| | | | | E | | | | | | | | | | |
| Pos | Artikel nr Part No. | Antal /Quantity | | | | | P S | Benämning | Description | Anmärkning Notes | S R | | | |
| | | A | B | C | D | E | | | | | | | | |
| 1 | 1569517-4 | 1 | - | - | - | - | | Styrstag | Steering rod | | 4 | | | |
| | 1569235-3 | - | 1 | - | - | - | | Styrstag | Steering rod | | 4 | | | |
| 2 | 1569711 | 1 | 1 | - | - | - | OP | • Rör | • Tube | | 4 | | | |
| 3 | 1569713-9 | 2 | 2 | - | - | - | | • Klamma | • Clamp | | 3 | | | |
| 4 | 1569518-2 | 1 | - | - | - | - | | • Klamma | • Clamp | | 3 | | | |
| 5 | 959621-4 | 2 | 2 | - | - | - | | • Skruv | • Screw | | 2 | | | |
| 6 | 941907-8 | 2 | 2 | - | - | - | | • Fjäderbricka | • Spring washer | | 2 | | | |
| 7 | 955800-8 | 2 | 2 | - | - | - | | • Låsmutter | • Lock nut | | 2 | | | |
| 8 | 1569714-7 | 1 | 1 | - | - | - | | • Kulled | • Ball joint | | 3 | | | |
| 9 | 1569715-4 | 1 | 1 | - | - | - | | • Kulled | • Ball joint | | 3 | | | |
| 10 | 963119-3 | 2 | 2 | - | - | - | | Låsmutter | Lock nut | | 2 | | | |