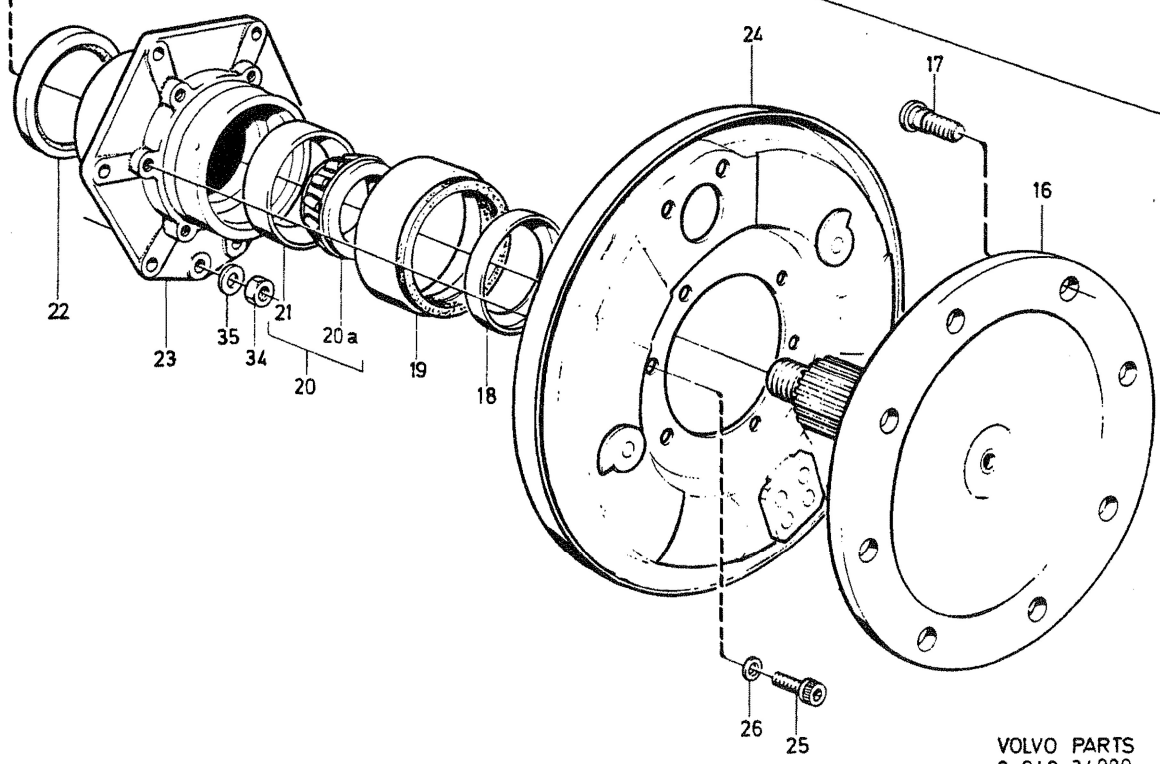
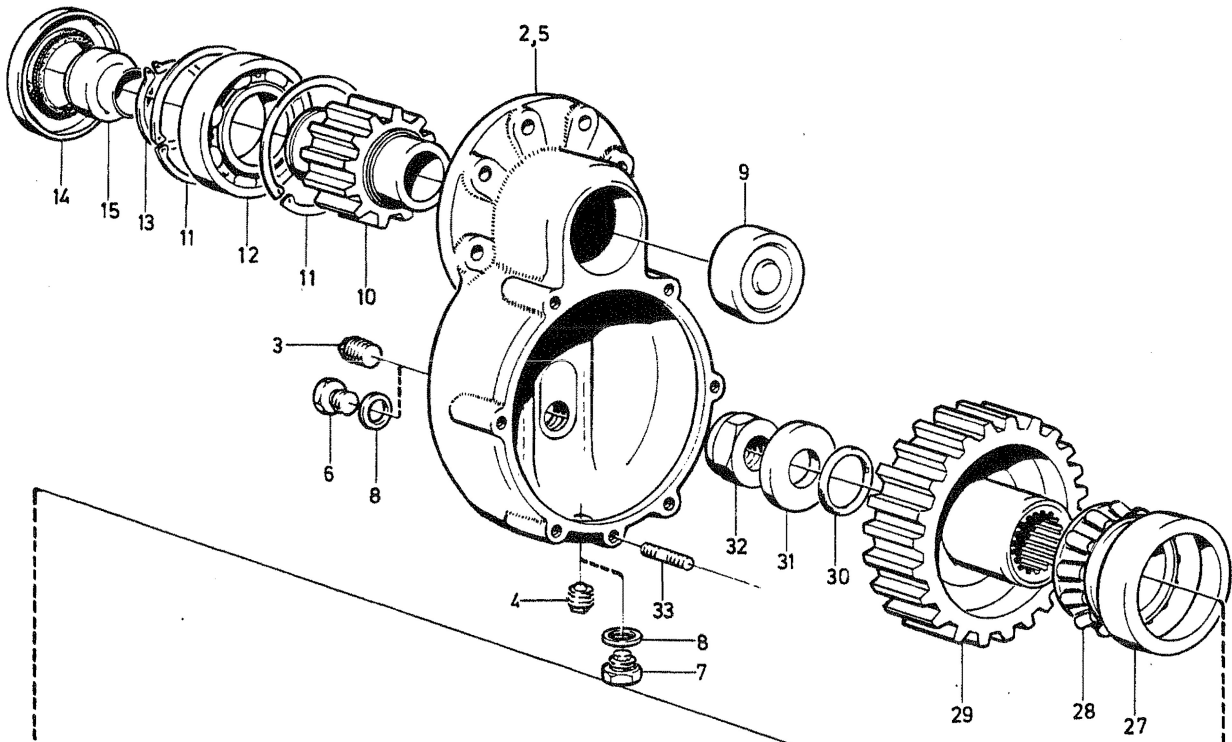


1



VOLVO PARTS  
2 040 34.980  
(18.2)

A	ALTER1						HJULVÄXEL	WHEEL GEAR	Grupp Group		
B	ALTER2								46		
C									Sida Page		
D									327		
E											
Pos	Artikel nr Part No.	Antal /Quantity					P S	Benämning	Description	Anmärkning Notes	S R
		A	B	C	D	E					
1	(642410)	1	-	-	-	-	SP	Hjulväxel, v .....	Wheel gear, l.h. ....	REPL 1PCS 1522924-8.	
	(642411)	1	-	-	-	-	SP	Hjulväxel .....	Wheel gear .....	REPL 1PCS 1522925-5.	1
	(1522277)	1	-	-	-	-	SP	Hjulväxel, v .....	Wheel gear, l.h. ....	REPL 1PCS 1522924-8.	
	(1522278)	1	-	-	-	-	SP	Hjulväxel, h .....	Wheel gear, r.h. ....	REPL 1PCS 1522925-5.	
	1522924-8	-	1	-	-	-		Hjulväxel, v .....	Wheel gear, l.h. ....		3
	1522925-5	-	1	-	-	-		Hjulväxel, h .....	Wheel gear, r.h. ....		3
2		1	-	-	-	-	NS	• Hus .....	• Housing .....		
	(642346)	1	-	-	-	-	SP	•• Hjulväxelhus .....	•• Wheel gear housing .....	REPL 1PCS 1522468-6, 1PCS 960634-4, 1PCS 947585-6, 2PCS 18677-5.	6
3	952358-0	1	-	-	-	-		•• Plugg .....	•• Plug .....	1/2"	2
4	951901-8	1	-	-	-	-		•• Plugg .....	•• Plug .....	1/2"	2
5		-	1	-	-	-		• Hus .....	• Housing .....		
	1522468-6	-	1	-	-	-		•• Hjulväxelhus .....	•• Wheel gear housing .....		3
6	960634-4	-	1	-	-	-		•• Plugg .....	•• Plug .....	M22	2
7	947585-6	-	1	-	-	-		•• Plugg .....	•• Plug .....	M22	2
8	18677-5	-	2	-	-	-		•• Packning .....	•• Gasket .....		2
9	183637-8	1	1	-	-	-		• Nållager .....	• Needle bearing .....		2
10	642372-7	1	1	-	-	-		• Kuggjul .....	• Gear .....		3
11	943946-4	1	1	-	-	-		• Spärring .....	• Retaining ring .....		2
12	11017-1	1	1	-	-	-		• Kullager .....	• Ball bearing .....		2
13	914472-6	1	1	-	-	-		• Spärring .....	• Retaining ring .....		2
14	947664-9	1	1	-	-	-		• Tätningsring .....	• Sealing ring .....		2
15	1560180-0	1	1	-	-	-		• Stöd .....	• Support .....		3
16	642369-3	1	1	-	-	-		• Drivaxel .....	• Drive shaft .....		3
17	642414-7	8	8	-	-	-		• Hjulbult .....	• Wheel stud .....		3
18	642373-5	1	1	-	-	-		• Slitring .....	• Wear ring .....		3
19	946099-9	1	1	-	-	-		• Tätningsring .....	• Sealing ring .....		2
20	183430-8	1	-	-	-	-		• Lager .....	• Bearing .....		2
20a	(183428)	1	1	-	-	-	SP	•• Innerring .....	•• Cone .....	REPL 1PCS 183430-8.	2
21	(183429)	1	1	-	-	-	SP	•• Yttering .....	•• Cup .....	REPL 1PCS 183430-8	2
22	959026-6	1	1	-	-	-		• Tätningsring .....	• Sealing ring .....		2
23	642344-6	1	1	-	-	-		• Lagerhus .....	• Bearing housing .....		3
24	1560841-7	-	1	-	-	-		• Bromssköld, v .....	• Backing plate, l.h. ....		5
	1560842-5	-	1	-	-	-		• Bromssköld, h .....	• Backing plate, r.h. ....		5
25	1523025-3	6	6	-	-	-		• Skruv .....	• Screw .....		2
26	940097-9	6	6	-	-	-		• Bricka .....	• Washer .....		2
27	183505-7	1	1	-	-	-		• Yttering .....	• Cup .....		2
28	183506-5	1	1	-	-	-		• Innerring .....	• Cone .....		2
29	642371-9	1	1	-	-	-		• Kuggjul .....	• Gear .....		3
30	949658-9	1	1	-	-	-		• O-ring .....	• O-ring .....	(925061)	2
31	945792-0	1	1	-	-	-		• Bricka .....	• Washer .....		3
32	1523031-1	1	1	-	-	-		• Mutter .....	• Nut .....		3
33	953287-0	7	7	-	-	-		• Pinnskruv .....	• Stud .....		2
34	940157-1	7	7	-	-	-		• Mutter .....	• Nut .....		2
35	941909-4	7	7	-	-	-		• Fjäderbricka .....	• Spring washer .....		2