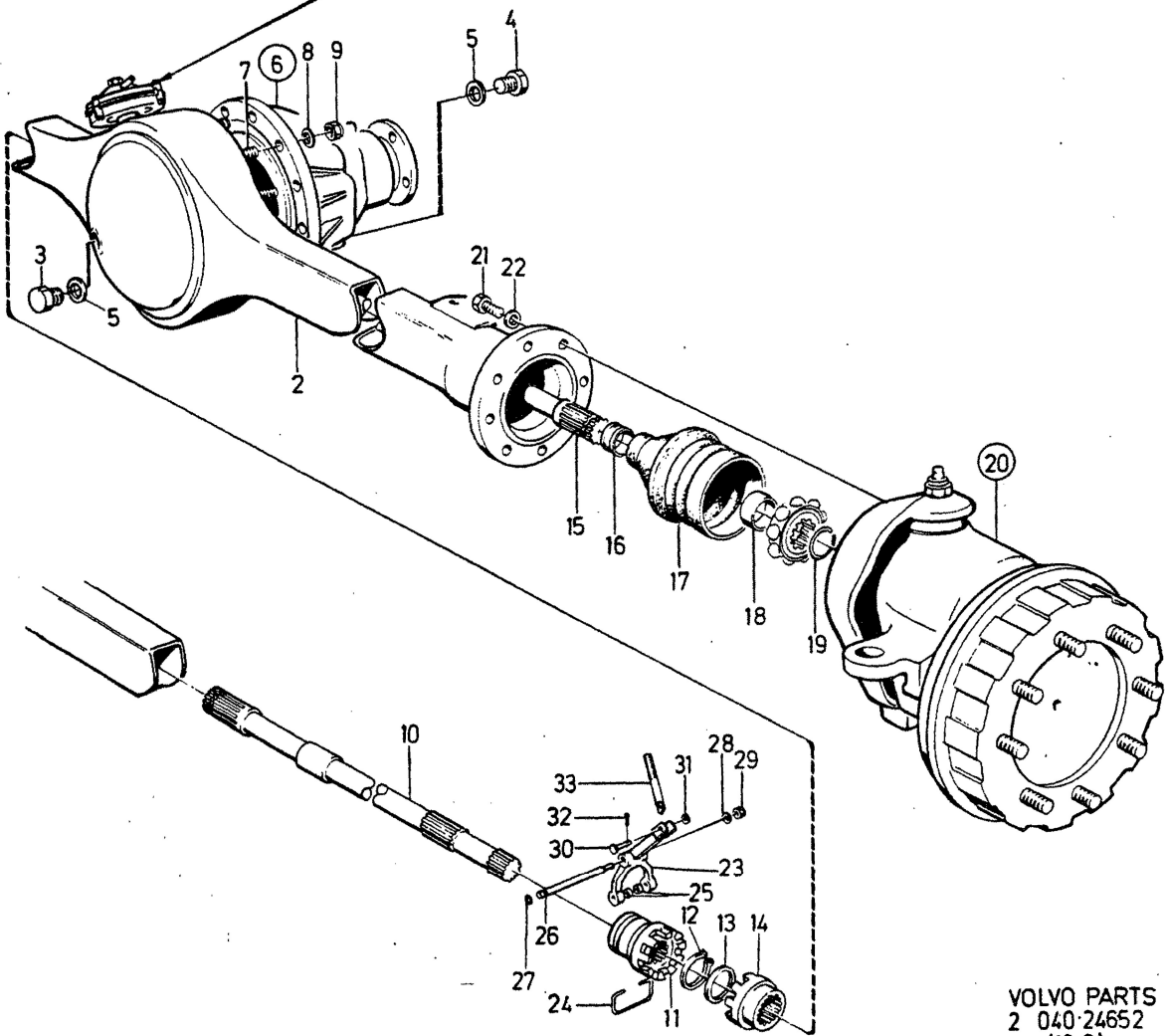


1



VOLVO PARTS  
2 040-24652  
(18:2)

A	DRIVANDE FRAMAXEL		DRIVEN FRONT AXLE		Grupp						
					Group						
					46						
					Sida						
					Page						
B	UTV 7.56/1., TGB 20		301								
C											
D											
E											
Pos	Artikel nr Part No.	Antal /Quantity					P S	Benämning	Description	Anmärkning Notes	S R
		A	B	C	D	E					
1	1520508-1	1	-	-	-	-		Framaxel .....	Front axle .....	UTV7,56/1.	5
2	1522469-4	1	-	-	-	-		• Framaxelkåpa .....	• Front axle casing .....		5
3	960634-4	1	-	-	-	-		• Plugg .....	• Plug .....		2
4	947585-6	1	-	-	-	-		• Plugg .....	• Plug .....		2
5	18677-5	2	-	-	-	-		• Packning .....	• Gasket .....		2
6	1522994-1	1	-	-	-	-		• Centrumväxel .....	• Differential carrier .....	UTV3,67/1.	5
		-	-	-	-	-		• SEE 46-319 .....	• SEE 46-319 .....		
7	643737-0	12	-	-	-	-		• Skruv .....	• Screw .....		3
8	961170-8	12	-	-	-	-		• Bricka .....	• Washer .....		2
9	950354-1	12	-	-	-	-		• Låsmutter .....	• Lock nut .....		2
10	644069-7	1	-	-	-	-		• Drivaxel, h .....	• Drive shaft, r.h. ....		3
11	643883-2	1	-	-	-	-		• Medbringare .....	• Companion flange .....		3
12	944100-7	1	-	-	-	-		• Spårring .....	• Retaining ring .....		3
13	944101-5	1	-	-	-	-		• Bricka .....	• Washer .....		3
14	643964-0	1	-	-	-	-		• Klokoppling .....	• Dog clutch .....		3
15	644070-5	1	-	-	-	-		• Drivaxel, v .....	• Drive shaft, l.h. ....		3
16	639261-7	2	-	-	-	-		• Bussning .....	• Bushing .....		3
17	1563012-2	2	-	-	-	-		• Kåpa .....	• Cover .....		3
18	634581-3	2	-	-	-	-		• Tryckbricka .....	• Thrust washer .....		3
19	947614-4	2	-	-	-	-		• Spårring .....	• Retaining ring .....		2
20	1522922-2	1	-	-	-	-		• Hjulväxel, v .....	• Wheel gear, l.h. ....		3
	1522923-0	1	-	-	-	-		• Hjulväxel, h .....	• Wheel gear, r.h. ....		3
		-	-	-	-	-		• SEE 46-323 .....	• SEE 46-323 .....		
21	955561-6	16	-	-	-	-		• Skruv .....	• Screw .....		2
22	940280-1	16	-	-	-	-		• Fjäderbricka .....	• Spring washer .....		2
23	643382-5	1	-	-	-	-		• Skiftgaffel .....	• Selector fork .....		3
24	637774-1	1	-	-	-	-		• Låsbygel .....	• Lock brace .....		3
25	637773-3	2	-	-	-	-		• Tapp .....	• Pin .....		2
26	643381-7	1	-	-	-	-		• Lagertapp .....	• Stub .....		3
27	955981-6	1	-	-	-	-		• O-ring .....	• O-ring .....		2
28	947620-1	1	-	-	-	-		• Packning .....	• Gasket .....	(11992)	2
29	950353-3	1	-	-	-	-		• Låsmutter .....	• Lock nut .....		2
30	913103-8	1	-	-	-	-		• Saxpinnebult .....	• Clevis pin .....		2
31	940090-4	1	-	-	-	-		• Bricka .....	• Washer .....		2
32	907824-7	1	-	-	-	-		• Saxpinne .....	• Split pin .....		2
33	643380-9	1	-	-	-	-		• Dragstång .....	• Pull rod .....		3
34	18677-5	1	-	-	-	-		• Packning .....	• Gasket .....		2
35	639987-7	1	-	-	-	-		• Cylinder .....	• Cylinder .....		3
36	643379-1	1	-	-	-	-		• Mutter .....	• Nut .....		3
37	955846-1	1	-	-	-	-		• Mutter .....	• Nut .....		2
38	639989-3	1	-	-	-	-		• Bricka .....	• Washer .....		3
39	639991-9	1	-	-	-	-		• Membran .....	• Diaphragm .....		3
40	947620-1	1	-	-	-	-		• Packning .....	• Gasket .....	(942383)	2
41	639990-1	1	-	-	-	-		• Lock .....	• Cover .....		2
42	950372-3	1	-	-	-	-		• Mutter .....	• Nut .....		2
43	637759-2	1	-	-	-	-		• Fjäder .....	• Spring .....		3
44	640312-5	1	-	-	-	-		• Lock .....	• Cap .....		3
45	957173-8	1	-	-	-	-		• Packning .....	• Gasket .....		2
46	955791-9	1	-	-	-	-		• Mutter .....	• Nut .....		2
47	962947-8	1	-	-	-	-		• Stoppskruv .....	• Set screw .....		2
48	955640-8	3	-	-	-	-		• Skruv .....	• Screw .....		2
49	640075-8	6	-	-	-	-		• Klamma .....	• Clamp .....		3
50	955893-3	3	-	-	-	-		• Bricka .....	• Washer .....		2
51	950382-2	3	-	-	-	-		• Mutter .....	• Nut .....		2